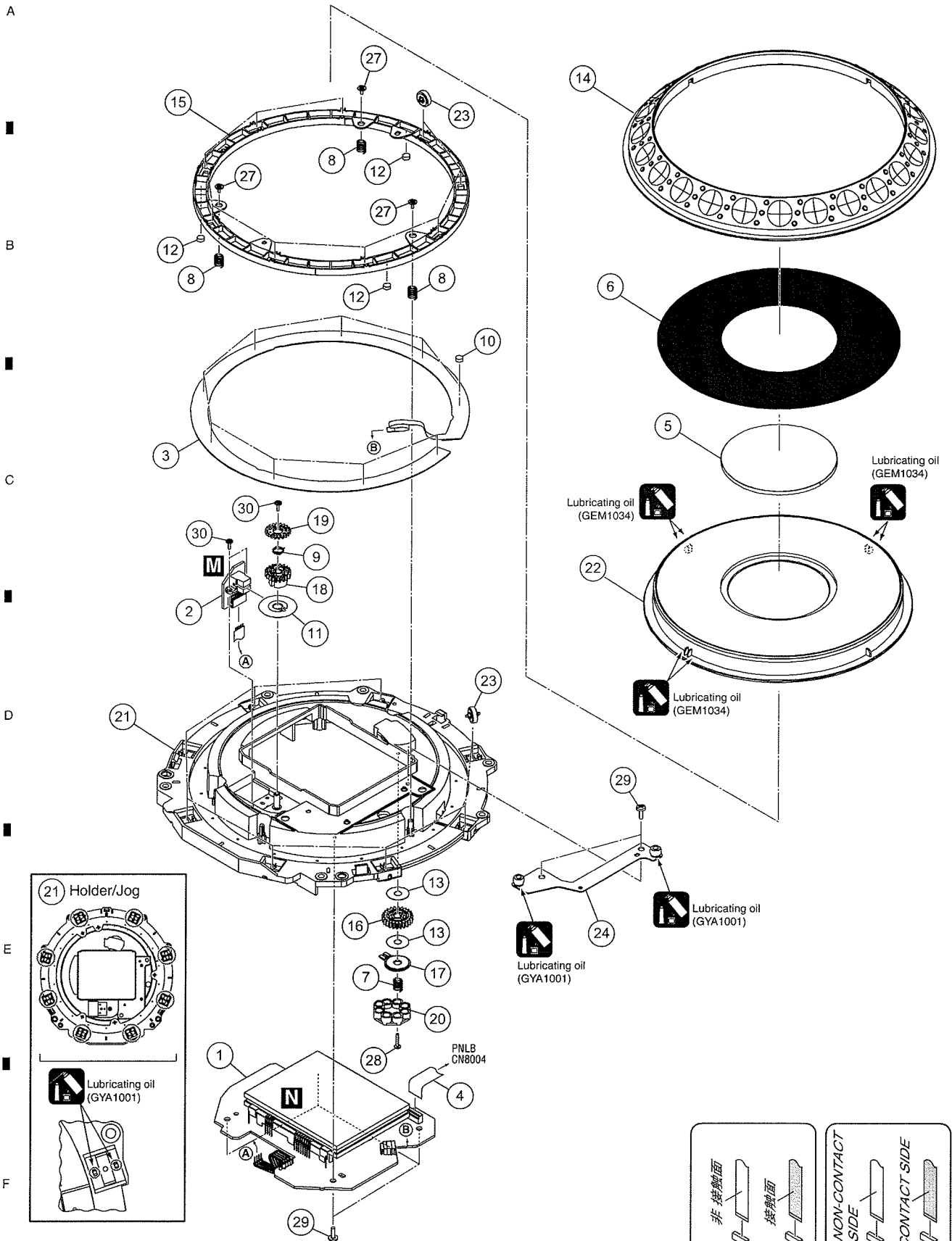


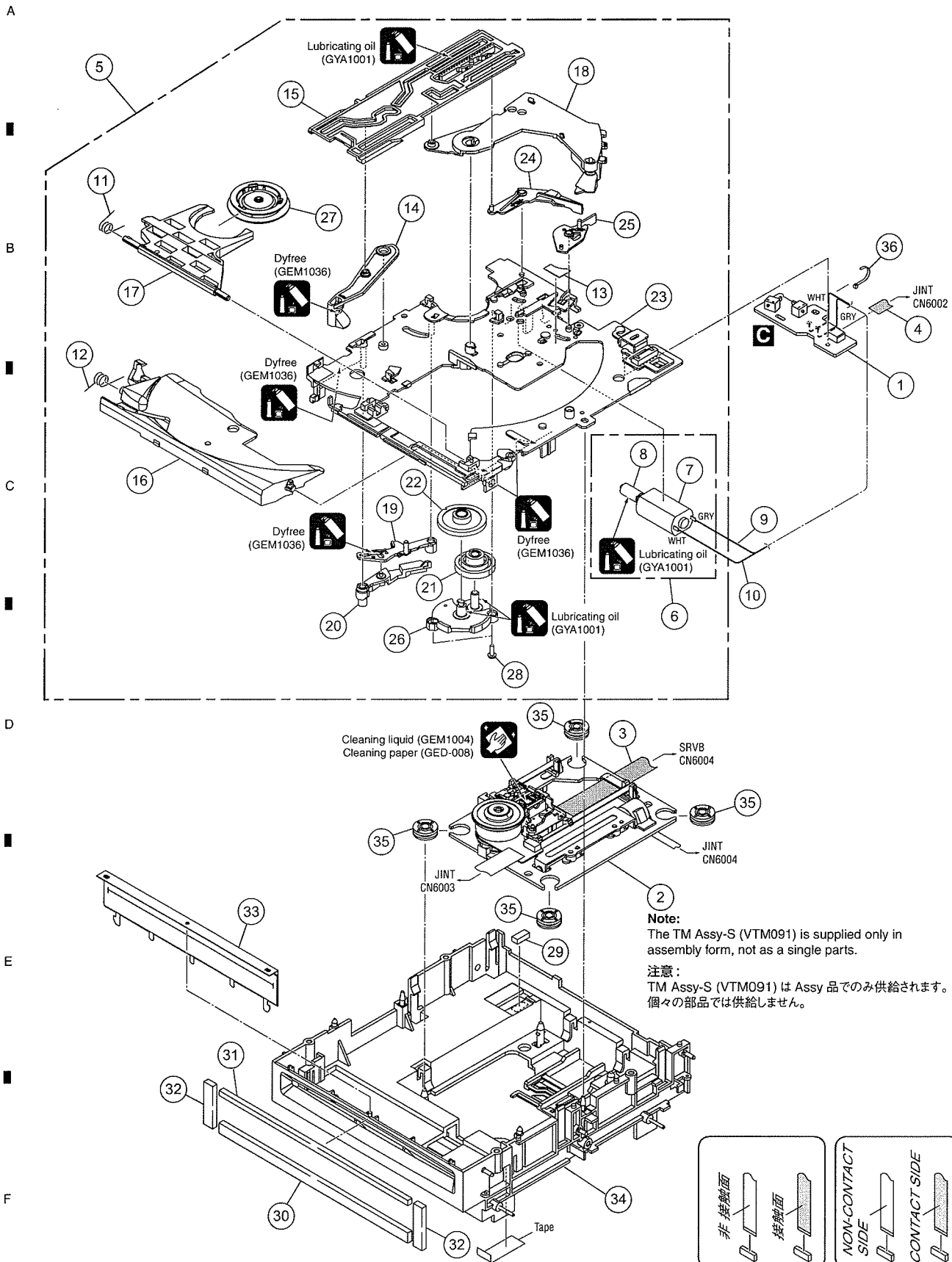
# 9.4 JOG DIAL SECTION



## JOG DIAL SECTION PARTS LIST

<u>Mark No.</u>	<u>Description</u>	<u>Part No.</u>	
1	JFLB Assy	DWX3530	
2	JOGB Assy	DWX3531	A
3	Sheet SW	DSX1078	
4	FFC/10P	DDD1652	
5	Jog Panel	DAH2609	
6	Jog Plate	DAH2839	
7	Load Spring	DBH1680	
8	SW Spring	DBH1681	
9	Encoder Spring	DBH1710	
10	SW Cushion HH48/2	DEC2538	
11	Encoder Plate	DEC2889	B
12	Ring Cushion L24/2.0	DEC2958	
13	Washer	DEC3137	
14	Jog B	DNK4068	
15	SW Ring	DNK5233	
16	Load Gear	DNK5236	
17	Smoother	DNK5237	
18	Gear A	DNK5241	
19	Gear B	DNK5242	
20	Adjust Plate	DNK5300	C
21	Holder/JOG	DNK6265	
22	Jog Dial A	DNK5357	
23	Roller Assy/A	DXB2118	
24	Stay Assy/JOG	DXB2133	
25	.....		
26	.....		
27	Screw (FE)	DBA1265	
28	Screw	BPZ20P100FTC	
29	Screw	BPZ30P080FNI	D
30	Screw	IPZ20P060FTC	

# 9.5 SLOT IN MECHA SECTION



CDJ-900NXS

**SLOT IN MECHA SECTION PARTS LIST**

<u>Mark No.</u>	<u>Description</u>	<u>Part No.</u>	
	1 SLMB Assy	DWX3528	
	2 TM Assy-S (VTM-091)	DXX2616	A
	3 FFC/24P	DDD1654	
	4 FFC/5P	DDD1653	
NSP	5 SLOTIN MECHA Assy	DXA2206	
	6 DC Motor Assy-S	DXX2615	
NSP	7 DC Motor	DXM1384	
NSP	8 Worm Gear	DNK3910	
	9 Lead Wire	ZWNN1007G28-8-06A	
	10 Lead Wire	ZWNN1007G28-9-06A	
	11 Clamp Spring	DBH1374	B
	12 Guide Spring	DBH1375	
	13 SW Lever Spacer SV	DEC2831	
	14 Loading Lever	DNK3406	
	15 Main Cam	DNK3407	
	16 Disc Guide	DNK3478	
	17 Clamp Arm	DNK3576	
	18 Eject Lever	DNK3684	
	19 Lever AP	DNK3835	
	20 Lever BP	DNK3836	C
	21 Loading Gear	DNK3911	
	22 Drive Gear	DNK3912	
	23 Loading Base SV	DNK4369	
	24 SW Lever SV1	DNK4370	
	25 SW Lever SV2	DNK4371	
	26 Gear Holder SV	DNK4372	
	27 Clamper Assy-S	DXX2661	
	28 Screw	BPZ20P060FTC	
	29 Spacer POR (T3)	DEB1566	D
	30 Vessel Cushion A	DEC2852	
	31 Vessel Cushion B	DEC2853	
	32 Vessel Cushion C	DEC2854	
	33 Front Sheet	DED1132	
	34 Float Base 05 Assy	DXB2068	
	35 Floating Rubber (SI)	VEB1351	
	36 Binder	ZCA-SKB90BK	E