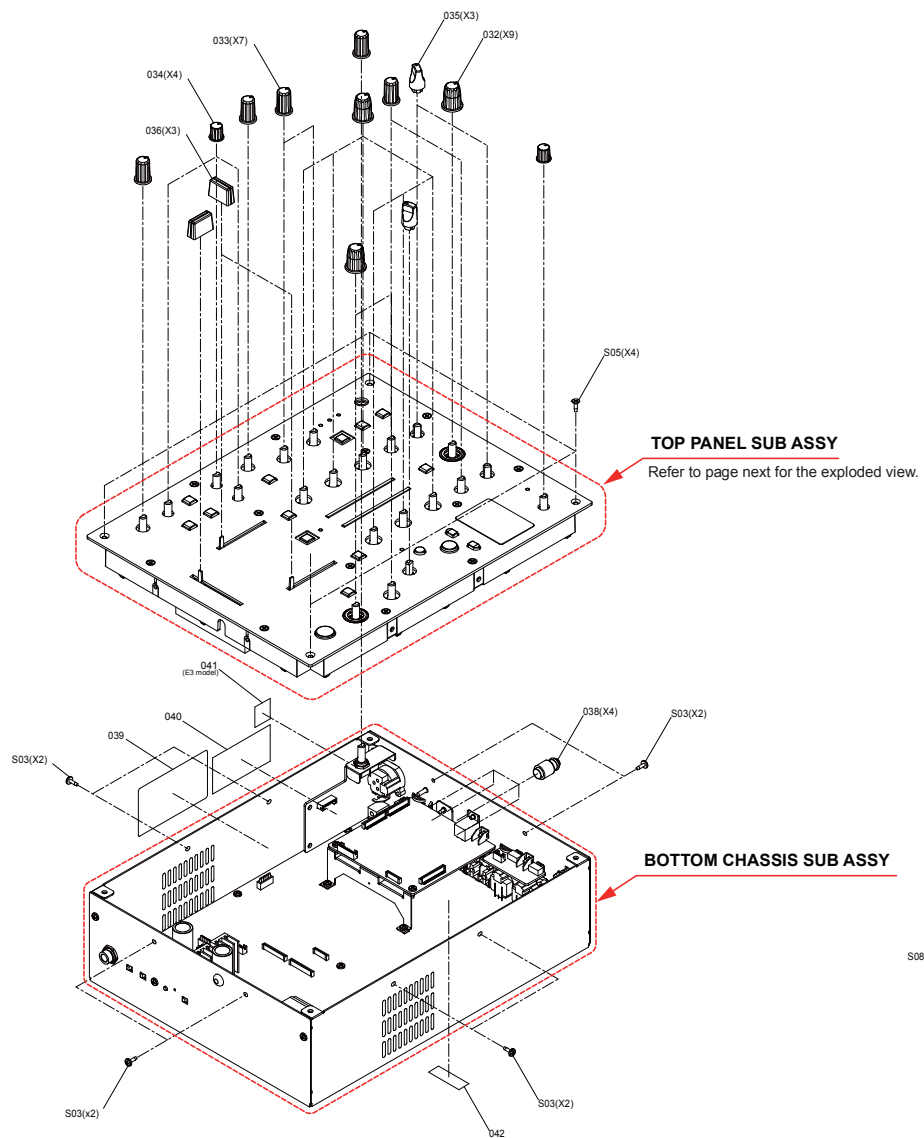
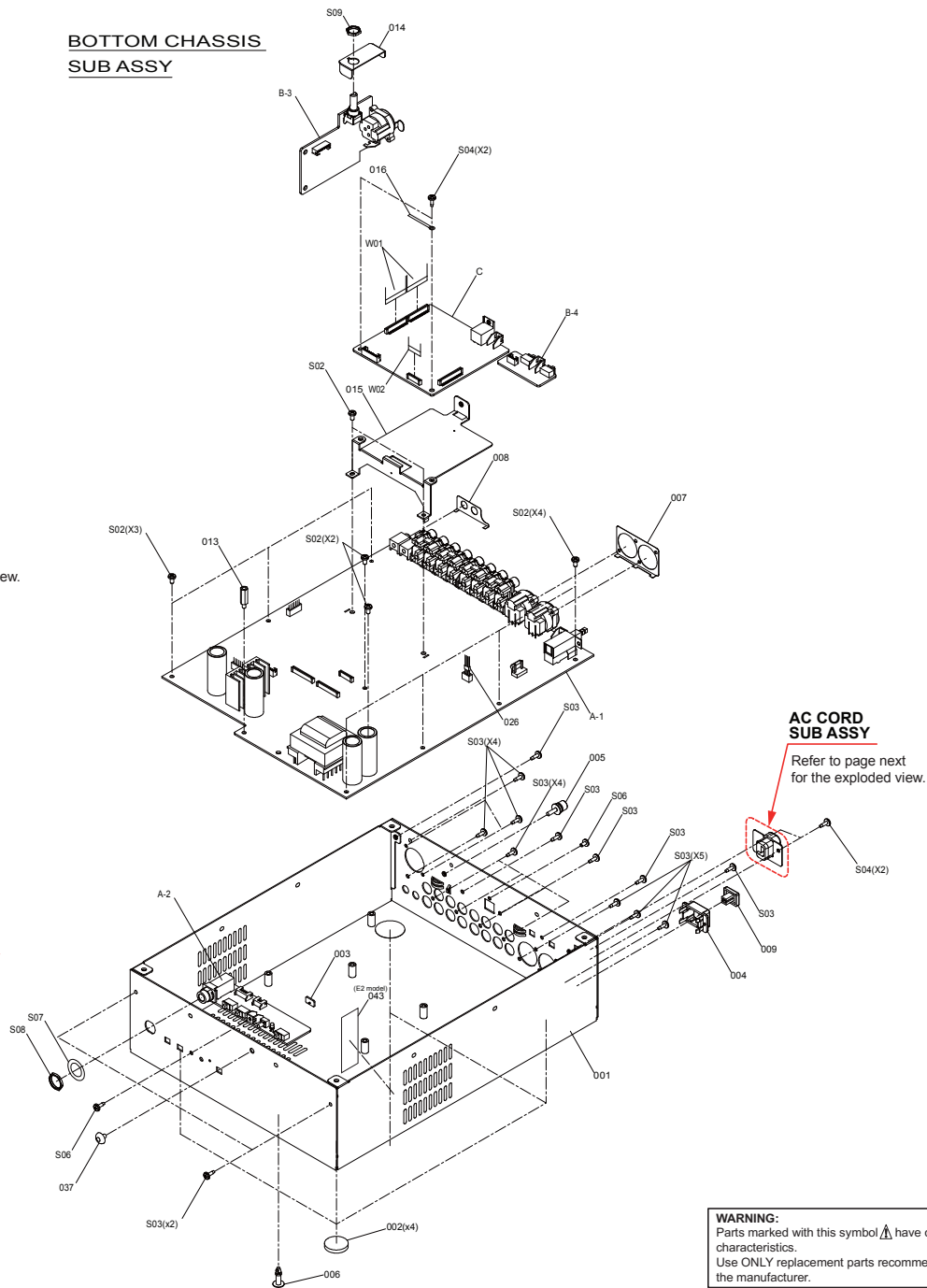


EXPLODED VIEW

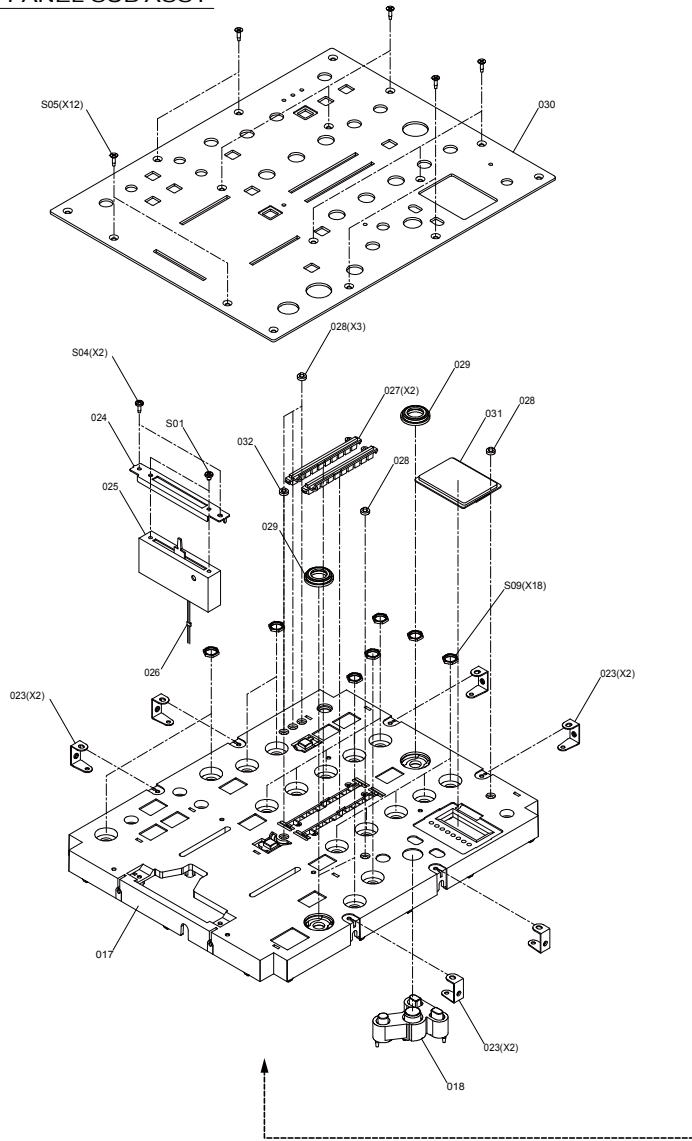
TOP PANEL SUB ASSY & BOTTOM CHASSIS SUB ASSY



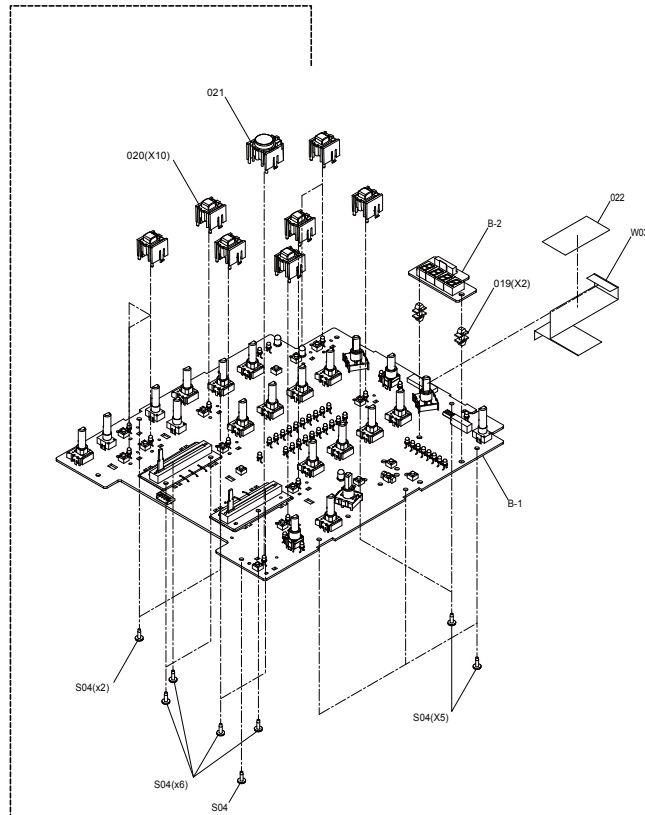
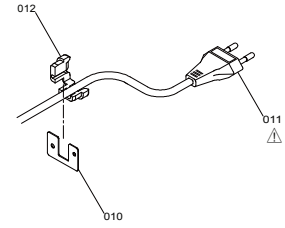
BOTTOM CHASSIS SUB ASSY




TOP PANEL SUB ASSY



AC CORD SUB ASSY



WARNING:
 Parts marked with this symbol  have critical characteristics.
 Use **ONLY** replacement parts recommended by the manufacturer.

PARTS LIST OF EXPLODED VIEW

* Parts for which "nsp" is indicated on this table cannot be supplied.

* P.W.B. ASSY for which "nsp" is indicated on this table cannot be supplied. When repairing the P.W.B. ASSY, check the board parts table and order replacement parts.

* Part indicated with the mark "★" is not illustrated in the exploded view.

* The parts listed below are for maintenance only, might differ from the parts used in the unit in appearances or dimensions.

Note: The symbols in the column "Remarks" indicate the following destinations.

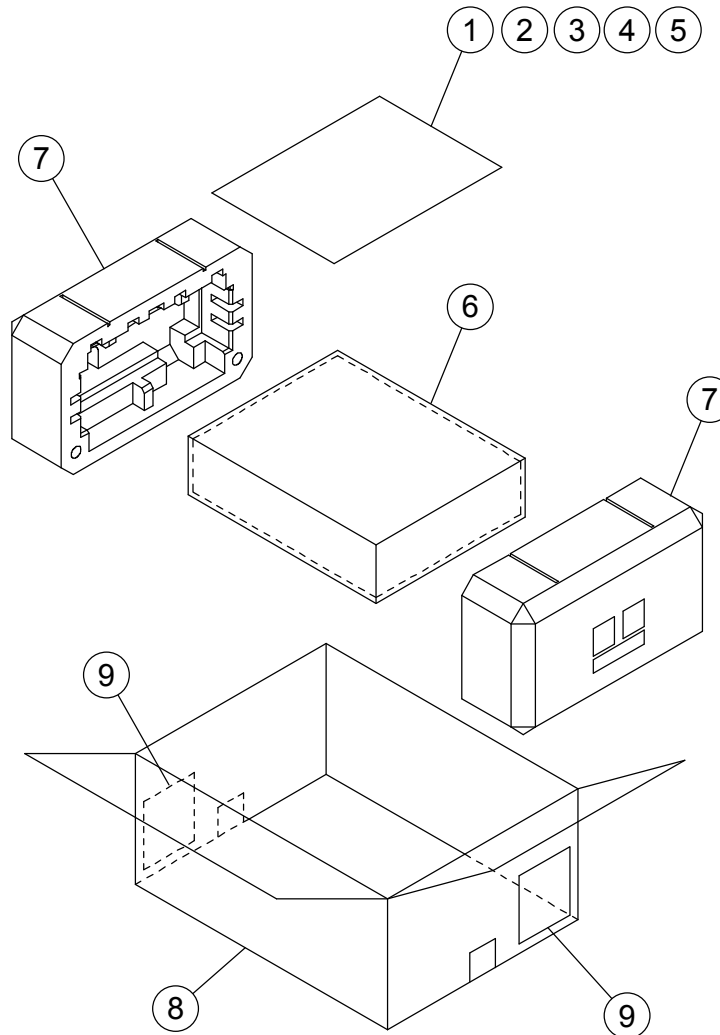
E3 : U.S.A. & Canada model

E2 : Europe model

Ref. No.	Part No.	Part Name	Remarks	Q'ty	New
A	nsp	IN/OUT/PWR P.W.B. UNIT ASSY		1	
A-1	-	IN/OUT/PWR UNIT			
A-2	-	HP JACK UNIT			
B	nsp	PANEL P.W.B. UNIT ASSY		1	
B-1	-	PANEL UNIT			
B-2	-	7SEG UNIT			
B-3	-	MIC UNIT			
B-4	-	SLIDE SW UNIT			
C	8U-310012B	MAIN P.W.B. UNIT ASSY		1	
001	nsp	BOTTOM CHASSIS		1	*
002	nsp	FOOT SHEET		4	
003	nsp	LENS		1	
004	nsp	GUIDE P SW		1	
005	nsp	TERMINAL		1	
006	nsp	KITAGAWA SUPPORT KGLS-10R PA66		1	
007	nsp	EARTH XLR 2P		1	
008	nsp	EARTH MINIPIN 2P		1	*
009	00D1131987004	POWER KNOB		1	
010	nsp	PLATE AC		1	*
△	00D2062089106	AC CORD W/CON.E2	E2	1	
△	00D2062155001	AC CORD W/CON.E3	E3	1	
012	nsp	CORD BUSH	E2	1	
012	nsp	CORD BUSH	E3	1	
013	nsp	SUPPORT		1	
014	nsp	BRACKET MIC TOP		1	*
015	nsp	STAY PWB MAIN		1	*
016	nsp	CORD HOLDER(L50)		1	
017	443510046100P	INNER PANEL		1	*
018	411510082000P	RUBBER KEY		1	
019	nsp	PCB. SUPPORT		2	
020	411510074108P	BUTTON		10	
021	411510077107P	BUTTON ON OFF		1	
022	nsp	SHEET		1	*
023	nsp	STAY GND		6	*
024	nsp	BRACKET FADER		1	
025	00D2115658002	FLAX FADER		1	
026	nsp	WIRE CLAMPER		2	
027	423510027006P	LEVEL INDICATOR		2	*
028	423510016006P	LENS LED		6	
029	424510015105P	LENZ RING VOL		2	
030	402310147004P	TOP PANEL		1	*

Ref. No.	Part No.	Part Name	Remarks	Q'ty	New
031	416510049008P	WINDOW		1	*
032	412510031005P	KNOB L		9	
033	412510032015P	KNOB M		7	
034	412510036109P	KNOB S		4	
035	412510035205P	KNOB SEL		3	
036	412510034004P	KNOB FADER		3	
037	413510014003P	CAP		1	
038	00D2090325007	SHORT PIN		4	
039	nsp	LABEL		1	
040	nsp	R.SHEET E2 SUB ASSY	E2	1	*
040	nsp	R.SHEET E3 SUB ASSY	E3	1	*
041	nsp	C-UL LABEL	E3	1	
042	nsp	SHIPPING SUB ASSY	E2	1	*
042	nsp	SHIPPING SUB ASSY	E3	1	*
043	nsp	SHEET	E2	1	*
WIRES					
W01	00D0090290008	23P FFC(1.0) L=250		2	
W02	00D0090196047	13P FFC(1.0)		1	
W03	606050068003S	FFC 25P 185mm 1mm		1	
SCREWS					
S01	nsp	SCREW		2	
S02	nsp	SCREW		11	
S03	nsp	SCREW		28	
S04	nsp	SCREW-B		20	
S05	nsp	SCREW		16	
S06	nsp	KNOCK SCREW 3X5 CBTS(S)-B		2	
S07	nsp	WASHER		1	
S08	nsp	M12 NUT		1	
S09	nsp	M9 NUT		19	

PACKING VIEW



PARTS LIST OF PACKING VIEW

* Parts for which "nsp" is indicated on this table cannot be supplied.

* The parts listed below are for maintenance only, might differ from the parts used in the unit in appearances or dimensions.

Note: The symbols in the column "Remarks" indicate the following destinations.

E3 : U.S.A. & Canada model

E2 : Europe model

Ref. No.	Part No.	Part Name	Remarks	Q'ty	New
1	nsp	VINYL BAG		1	
2	541110494003P	INST.MANUAL		1	*
3	352010010002P	INST.MANUAL(CD-ROM)		1	*
4	00MZD01800140	CA-3020-180-B04-A03		1	
5	nsp	WARRANTY(COM.1Y)	E3	1	
6	nsp	STYLEN PAPER		1	
7	533610075000P	CUSHION		2	*
8	531210148005P	CARTON CASE		1	*
9	nsp	SHIPPING SUB ASSY	E3	1	*
9	nsp	SHIPPING SUB ASSY	E2	1	*

PARTS LIST OF P.W.B. UNIT

* Parts for which "nsp" is indicated on this table cannot be supplied.

* The parts listed below are for maintenance only, might differ from the parts used in the unit in appearances or dimensions.

Note: The symbols in the column "Remarks" indicate the following destinations.

E3 : U.S.A. & Canada model

E2 : Europe model

MAIN P.W.B. UNIT ASS'Y

Ref. No.	Part No.	Part Name	Remarks	Q'ty	New
SEMICONDUCTORS GROUP					
IC103	8R2461005300P	X600 ROM ASSY (EN29LV160BB-70TIP)			*
IC104	00D2623764006	R5S72630P200FP			
IC106	00D2623077900	TC74VHCU04FT +REF	NOTE : When update Firmware, please confirm a last version in SDI. Use the service board after updating it.		
IC107	246810048609S	W9864G2IH-6			
IC301	nsp	XC3S400A-4FTG256C			
IC501	nsp	D710E001ZDH300			
IC502,503	246810047606S	M12L128168A-7TG2T			
IC702	236810015503S	TS3USB221RSER			
IC708	00D2630454901	M51957BFP(TP1)			
TR103,104	nsp	DTA123EKA			
TR704	nsp	DAN202KT146 +C			
D102	nsp	DAP202KT146 +C			
D103	nsp	DAN202KT146 +C			
D105	nsp	DAP202KT146 +C			
D106	nsp	DAN202KT146 +C			
D112	nsp	HVC375B			
D113	nsp	HVC376B			
D501	nsp	RB500V-40			
D701	nsp	HZM6.2Z4MWA			
RESISTORS GROUP					
R153	nsp	RM73B--562DT(1608)			
R773	nsp	RM73B--752FT			
R774	nsp	RM73B--562DT(1608)			
CAPACITORS GROUP					
C101	nsp	CK73B1E104KT +1608			
C102,103	nsp	CK73B1H103KT (1608) +1608			
C104	nsp	CC73CH1H470JT +1608			
C105	nsp	CK73B1H103KT (1608) +1608			
C106	nsp	CC73CH1H120JT +1608			
C107	00D2572022909	CS77B0J220MT(NOJ)			
C109	nsp	CK73B1E104KT +1608			
C110,111	nsp	CK73B1H103KT (1608) +1608			
C112	nsp	CK73F1E104ZT +1608			
C113	nsp	CK73B1A105KT +1608			
C121	nsp	CK73B1E104KT +1608			
C122	nsp	CC73CH1H330JT +1608			
C124	nsp	CK73B1E104KT +1608			
C126	nsp	CK73B1E104KT +1608			

	Ref. No.	Part No.	Part Name	Remarks	Q'ty	New
	C127	nsp	CC73CH1H8R0DT +1608			
	C128	00D2572022909	CS77B0J220MT(NOJ)			
	C129	nsp	CC73CH1H8R0DT +1608			
	C130	nsp	CK73B1E104KT +1608			
	C132,133	nsp	CK73F1C104ZT +1005			
	C134	nsp	CK73B1H103KT (1608) +1608			
	C135,136	nsp	CK73F1C104ZT +1005			
	C137	00D2544464951	CE67C0J220MT(MV-B) +REF			
	C138	nsp	CK73F1C104ZT +1005			
	C139	nsp	RM73B--0R0KT +1608			
	C140-142	nsp	CK73F1C104ZT +1005			
	C143	nsp	RM73B--0R0KT +1608			
	C144,145	nsp	CK73F1C104ZT +1005			
	C146	nsp	CK73B1H332KT +1608			
	C147,148	nsp	CK73F1C104ZT +1005			
	C149	nsp	CK73B1H102KT +1608			
	C150,151	nsp	CK73F1C104ZT +1005			
	C152	nsp	CK73B1H102KT +1608			
	C153	nsp	CK73F1C104ZT +1005			
	C154	nsp	CK73B1H102KT +1608			
	C155,156	nsp	CK73F1C104ZT +1005			
	C157	00MDK2647601Y	GRM32EB31C476KE15L			
	C158-171	nsp	CK73F1C104ZT +1005			
	C172	00D2572022909	CS77B0J220MT(NOJ)			
	C187-196	nsp	CK73B1A104KT +1005			
	C209,210	00MEL4750101Y	APXA100ARA4R7MD55G			
	C211-213	nsp	CK73F1C104ZT +1005			
	C301	00MDK2647601Y	GRM32EB31C476KE15L			
	C302-317	nsp	CK73F1C104ZT +1005			
	C318	00D2572022909	CS77B0J220MT(NOJ)			
	C501	00D2572022909	CS77B0J220MT(NOJ)			
	C502	nsp	CK73F1C104ZT +1005			
	C504	00MDK2647601Y	GRM32EB31C476KE15L			
	C505-521	nsp	CK73F1C104ZT +1005			
	C522	00D2572022909	CS77B0J220MT(NOJ)			
	C523-534	nsp	CK73F1C104ZT +1005			
	C535	00D2572022909	CS77B0J220MT(NOJ)			
	C707,708	nsp	CK73F1E104ZT +1608			
	C713	nsp	CK73F1E104ZT +1608			
	C722	nsp	RM73B--0R0KT+1005			
	C725	nsp	RM73B--103JT +1005			
	C726	nsp	RM73B--0R0KT+1005			
	C733	nsp	CK73B1A104KT +1005			
	C741	nsp	RM73B--0R0KT+1005			
	C746	nsp	RM73B--0R0KT+1005			
	C755,756	nsp	RM73B--0R0KT+1005			
	C774	nsp	CK73B1E104KT +1608			
	C779	nsp	CK73B1E103KT(1005)			
	CC702	nsp	CK73B1A106KT +2125			
	CC703	nsp	CK73B1A474KT			
	CC705	00D2572018900	CS77B1A100MT(NOJ)			

Ref. No.	Part No.	Part Name	Remarks	Q'ty	New
CC706	nsp	CK73B1E104KT +1608			
CC708	00D2572022909	CS77B0J220MT(NOJ)			
CC709	nsp	CK73B1E104KT +1608			
OTHERS PARTS GROUP					
CX048	00D2051295105	USB(B)CON. FLANGE			
CX131	nsp	13P FFC CON. BASE			
CX231,232	nsp	23P FFC BASE(9610SCA			
CX252	nsp	25P FFC.BASE(9610SCA +REF			
CY081	nsp	B8B-PH-K-S (LF)(SN)			
FB101-104	nsp	CHIP BEADS(18PG121) +1608			
FB106	nsp	CHIP BEADS(18PG121) +1608			
FB108-110	nsp	CHIP BEADS(18PG121) +1608			
FB301,302	nsp	CHIP BEADS(18PG121) +1608			
FB303-307	nsp	BLM15BD121SN1D			
FB501-504	nsp	CHIP BEADS(18PG121) +1608			
W701	nsp	M3 SCREW TERMINAL			
W702	nsp	ON BOARD CONTACT (OG-603060)			
X101	00D3991051903	X-TAL(16.9344/HC-49)			
X102	00D3991127905	FCX-03(48MHz)			
X103	00D3991030908	HC-49/U03C24.576MHZ			

IN/OUT/PWR P.W.B. UNIT ASS'Y

Ref. No.	Part No.	Part Name	Remarks	Q'ty	New
SEMICONDUCTORS GROUP					
D2104	nsp	DAP202KT146 +C			
D2106	nsp	DAN202KT146 +C			
D2109	nsp	DAP202KT146 +C			
D2111	nsp	DAN202KT146 +C			
D2112	nsp	RB500V-40			
D2160	nsp	RD3.3S-T1-A(B2)			
D2161	nsp	RB500V-40			
D2162	00D2760717903	1SS355 TE-17 +C			
D3404	00D3939607908	SLR342VC(TB7)			
D3700	nsp	RD3.3S-T1-A(B2)			
△ D5100-5103	00D2760729904	EM01AT (V1)			
D5104	201050009508S	AL01(WK)			*
△ D5105,5106	203050019501S	AP01C-V0			
△ D5110	00MHD20053082	EK19 90V 1.5A			
△ D5112	00D2760787001	RN2Z			
△ D5113	201050009508S	AL01(WK)			*
△ D5114	00D2760717903	1SS355 TE-17 +C			
△ D5115	201050009508S	AL01(WK)			*
D5116	nsp	DAN202KT146 +C			
D5119,5120	nsp	UDZS16B-TE17 +C			
△ D5500	00D2760762945	MTZJ36B T77			
D5502	00MHD20055101	!SHOTTKY 11EQS10 1A 100V			
U2100	236810081500S	PCM1795			
U2101-2103	00D2623555901	SA5532ADR			
U2105-2107	00D2623555901	SA5532ADR			
U2200	236810034504S	AK4382AVT			
U2201	00D2630896909	NJM2068MD-TE1 +C			
U2300	236810034504S	AK4382AVT			
U2301	00D2630896909	NJM2068MD-TE1 +C			
U2401,2402	00MHC10200090	NJM4556AL (JRC) OP-AMP 8PIN			
U2700	00D2622959906	SN74LV244APW +REF			
U3101	00D2630896909	NJM2068MD-TE1 +C			
U3102,3103	00D2623555901	SA5532ADR			
U3104-3107	00MHC1020509Y	NJM2121M-TE1			
U3108	00D2623069905	PCM1804 +REF			
U3201	00D2630896909	NJM2068MD-TE1 +C			
U3202,3203	00D2623555901	SA5532ADR			
U3204	00D2623069905	PCM1804 +REF			
U3400	00D2622953902	SN74HCT244APW +C			
U3500,3501	00D2630896909	NJM2068MD-TE1 +C			
U3502,3503	00D2623555901	SA5532ADR			
U3504	00D2623069905	PCM1804 +REF			
U3505	00D2630896909	NJM2068MD-TE1 +C			
U3506,3507	00D2623555901	SA5532ADR			
U3508	00D2623069905	PCM1804 +REF			
U3509,3510	00MHC1020509Y	NJM2121M-TE1			
U3700	00D2622517908	SN74LV08APW-EL2 +REF			
U3701	00D2622959906	SN74LV244APW +REF			
U5101	00D2631206912	TA76432F			

	Ref. No.	Part No.	Part Name	Remarks	Q'ty	New
	U5102	00D2631282907	BD7820FP-E2			
△	U5103	00D2623047008	PC123Y22			
	U5104	00D2630809006	NJM7805FA(S)			
△	U5105	231010092107S	STR-A6053M			*
	U5502	00D2630809006	NJM7805FA(S)			
	Q2110	00D2730460905	KTC2875-B-RTK/P			
	Q2112,2113	00D2730460905	KTC2875-B-RTK/P			
	Q2115	00D2730460905	KTC2875-B-RTK/P			
	Q2160	00D2690082902	DTC114EKT96 +C			
	Q2161,2162	00D2690083901	DTA114EKT96 +C			
	Q2163	00D2690082902	DTC114EKT96 +C			
	Q2164	00MHX115861BY	2SA1586 (GR)			
	Q2165,2166	00D2730460905	KTC2875-B-RTK/P			
	Q2200	00D2690082902	DTC114EKT96 +C			
	Q2201,2202	00D2730460905	KTC2875-B-RTK/P			
	Q2203	00D2690083901	DTA114EKT96 +C			
	Q2403,2404	00D2730460905	KTC2875-B-RTK/P			
	Q3100,3101	00D2690237906	DTC123JKA			
	Q3400	00D2690083901	DTA114EKT96 +C			
	Q3500	00D2690237906	DTC123JKA			
	Q3700	00D2690083901	DTA114EKT96 +C			
	Q3701	00D2690082902	DTC114EKT96 +C			
	Q5101	00D2690048904	DTC143EK-T96 +C			
	Q5102	00D2690083901	DTA114EKT96 +C			
	Q5103	221850003506S	RZR025P01			
	Q5104	00D2720166905	2SB798(DL/DK)-T1 +C			
	Q5105	221850003506S	RZR025P01			
	Q5106	00D2720166905	2SB798(DL/DK)-T1 +C			
	Q5107	00D2740204902	2SD999(CM/CL)-T1 +C			
	Q5108	00D2690082902	DTC114EKT96 +C			
	Q5109	00D2690083901	DTA114EKT96 +C			
	Q5110	00D2740204902	2SD999(CM/CL)-T1 +C			
	Q5500	00D2690048904	DTC143EK-T96 +C			
	Q5501	00D2690083901	DTA114EKT96 +C			
	Q5502-5504	00D2690082902	DTC114EKT96 +C			
	Q5510-5513	00D2690082902	DTC114EKT96 +C			
RESISTORS GROUP						
	R2102	nsp	RM73B--103DT(1608) +1608			
	R2103-2106	nsp	RM73B--152DT(1608)			*
	R2108-2110	nsp	RM73B--102DT(1608)			
	R2111	nsp	RM73B--151DT(1608)			
	R2112	nsp	RM73B--152DT(1608)			*
	R2113	nsp	RM73B--151DT(1608)			
	R2114	nsp	RM73B--681DT(1608)			*
	R2115	nsp	RM73B--102DT(1608)			
	R2116	nsp	RM73B--681DT(1608)			*
	R2118	nsp	RM73B--152DT(1608)			*
	R2123	nsp	RM73B--152DT(1608)			*
	R2125	nsp	RM73B--681DT(1608)			*

	Ref. No.	Part No.	Part Name	Remarks	Q'ty	New
	R2127	nsp	RM73B--681DT(1608)			*
	R2128	nsp	RM73B--103DT(1608) +1608			
	R2129	nsp	RM73B--152DT(1608)			*
	R2130	nsp	RM73B--103DT(1608) +1608			
	R2132	nsp	RM73B--103DT(1608) +1608			
	R2134,2135	nsp	RM73B--103DT(1608) +1608			
	R2136	nsp	RM73B--1912DT(2125)			
	R2137,2138	nsp	RM73B--103DT(1608) +1608			
	R2140-2145	nsp	RM73B--151DT(1608)			
	R2152	nsp	RM73B--2102DT(2125)			
	R2154	nsp	RM73B--2102DT(2125)			
	R2156	nsp	RM73B--473DT(1608)			
	R2161	nsp	RM73B--331JT (1608) +1608			
	R2164	nsp	RM73B--473DT(1608)			
	R2167	nsp	RM73B--103DT(1608) +1608			
	R2171	nsp	RM73B--103DT(1608) +1608			
	R2175	nsp	RM73B--103DT(1608) +1608			
	R2177	nsp	RM73B--103DT(1608) +1608			
	R2179	nsp	RM73B--1912DT(2125)			
	R2181	nsp	RM73B--103DT(1608) +1608			
	R2187	nsp	RM73B--2102DT(2125)			
	R2189	nsp	RM73B--2102DT(2125)			
	R2191	nsp	RM73B--473DT(1608)			
	R2193	nsp	RM73B--473DT(1608)			
	R2424-2427	nsp	RS14B3A221JNBST AMRA			
	R3114,3115	nsp	RM73B--221DT(1608)			
	R3116	nsp	RM73B--154DT(1608)			
	R3119	nsp	RM73B--154DT(1608)			
	R3122,3123	nsp	RM73B--103DT(1608) +1608			
	R3214,3215	nsp	RM73B--221DT(1608)			
	R3216	nsp	RM73B--154DT(1608)			
	R3219	nsp	RM73B--154DT(1608)			
	R3222,3223	nsp	RM73B--103DT(1608) +1608			
	R5108	nsp	RS14B3D473JNBST(S)			
	R5109	nsp	RM73B--4R7KT +1608			
	R5116	nsp	RM73B--472DT(1608)			*
	R5121	nsp	RM73B--102DT(1608)			
	R5123	nsp	RM73B--682DT(1608)			
	R5135,5136	nsp	RS14B3A471JNBST(S)			
	R5501	nsp	RS14B3D1R5JNBST(S)			
	R5509	nsp	RS14B3A272JNBST(S)			
	R5510	nsp	RS14B3A472JNBST(S)			
	R5520	nsp	RS14B3DR47JNBST(S)			
	R5523	nsp	RM73B--102DT(1608)			
	R5524	nsp	RM73B--682DT(1608)			
	R5525	nsp	RM73B--103DT(1608) +1608			
	R9901-9914	nsp	RM73B--0R0KT +1608			
	R9916-9920	nsp	RM73B--0R0KT +1608			

	Ref. No.	Part No.	Part Name	Remarks	Q'ty	New
CAPACITORS GROUP						
	C2100	00D2572022909	CS77B0J220MT(NOJ)			
	C2101	nsp	CK73B1E104KT +1608			
	C2102	nsp	CK73B1H103KT (1608) +1608			
	C2103,2104	nsp	CK73B1E104KT +1608			
	C2105	nsp	47 UF M 16V RA-2			
	C2106	nsp	CK73B1E104KT +1608			
	C2107	nsp	47 UF M 16V RA-2			
	C2108	00D2572018913	CS77B1A470MT(NOJ)			
	C2109,2110	00D2572018900	CS77B1A100MT(NOJ)			
	C2111-2114	nsp	CC73CH1H331JT +1608			
	C2115	nsp	CK73F1E104ZT +1608			
	C2116-2118	nsp	CK73B1E104KT +1608			
	C2119	nsp	CC73CH1H331JT +1608			
	C2120	133050075541S	CQ93M2E152J(LP)			
	C2121	nsp	CK73F1E104ZT +1608			
	C2122	nsp	CC73CH1E681JT +1608			
	C2124	nsp	CK73B1H102KT +1608			
	C2125	nsp	CK73B1E104KT +1608			
	C2126	nsp	CC73CH1E681JT +1608			
	C2127	nsp	CK73B1H102KT +1608			
	C2131	133050075541S	CQ93M2E152J(LP)			
	C2135	nsp	CC73CH1E681JT +1608			
	C2137	nsp	CC73CH1E681JT +1608			
	C2138	nsp	47 UF M 25V RA-2			
	C2140	nsp	CC73CH1H220JT +1608			
	C2141	nsp	100 UF M 25V RA-2			
	C2142	nsp	CC73CH1H220JT +1608			
	C2146-2148	nsp	CK73B1E104KT +1608			
	C2150	nsp	100 UF M 25V RA-2			
	C2161	nsp	CK73B1E104KT +1608			
	C2162	nsp	100 UF M 25V RA-2			
	C2164	nsp	100 UF M 25V RA-2			
	C2165	nsp	CK73B1E104KT +1608			
	C2167	nsp	100 UF M 25V RA-2			
	C2168	nsp	CC73CH1H331JT +1608			
	C2170	nsp	CC73CH1H331JT +1608			
	C2171	nsp	CK73B1H103KT (1608) +1608			
	C2172	nsp	CK73F1E104ZT +1608			
	C2173	nsp	47 UF M 25V RA-2			
	C2174	nsp	CK73F1E104ZT +1608			
	C2177-2179	nsp	CC73CH1H220JT +1608			
	C2181	nsp	CC73CH1H220JT +1608			
	C2182-2184	nsp	CK73B1E104KT +1608			
	C2185	nsp	100 UF M 25V RA-2			
	C2187	nsp	CK73B1E104KT +1608			
	C2188	nsp	47 UF M 25V RA-2			
	C2190	nsp	47 UF M 25V RA-2			
	C2192	nsp	CC73CH1H331JT +1608			
	C2193	nsp	100 UF M 25V RA-2			
	C2194	nsp	CC73CH1H331JT +1608			
	C2195	nsp	100 UF M 25V RA-2			

	Ref. No.	Part No.	Part Name	Remarks	Q'ty	New
	C2199	nsp	CC73CH1H331JT +1608			
	C2200	nsp	CK73B1E104KT +1608			
	C2201,2202	nsp	CC73CH1H821JT +1608			
	C2203-2206	nsp	CC73CH1H151JT +1608			
	C2207,2208	nsp	47 UF M 25V RA-2			
	C2209,2210	nsp	CC73CH1H331JT +1608			
	C2211	nsp	47 UF M 16V RA-2			
	C2212,2213	nsp	CK73B1E104KT +1608			
	C2300	nsp	CK73B1E104KT +1608			
	C2301,2302	nsp	CC73CH1H561JT +1608			
	C2303-2306	nsp	CC73CH1H181JT +1608			
	C2307	nsp	100 UF M 25V RA-2			
	C2308,2309	nsp	CK73B1E104KT +1608			
	C2310	nsp	100 UF M 25V RA-2			
	C2315	nsp	47 UF M 16V RA-2			
	C2410	nsp	CK73B1E104KT +1608			
	C2412	nsp	CK73B1E104KT +1608			
	C2413	nsp	CE04W1H221MC(RA3)			
	C2414	nsp	CC73CH1H220JT +1608			
	C2415	nsp	CE04W1H221MC(RA3)			
	C2416	nsp	CC73CH1H220JT +1608			
	C2418	nsp	CE04W1H221MC(RA3)			
	C2422	nsp	CC73CH1H102JT +1608			
	C2425	nsp	CK73B1E104KT +1608			
	C2427	nsp	CK73B1E104KT +1608			
	C2429	nsp	CC73CH1H220JT +1608			
	C2431	nsp	CC73CH1H220JT +1608			
	C2433	nsp	CE04W1H221MC(RA3)			
	C2437	nsp	CC73CH1H102JT +1608			
	C2705-2707	nsp	CC73CH1H470JT +1608			
	C2712	nsp	CC73CH1H470JT +1608			
	C2713	nsp	CK73B1H103KT (1608) +1608			
	C2720	nsp	CK73F1E104ZT +1608			
	C3100-3103	nsp	CC73CH1H331JT +1608			
	C3104,3105	nsp	CC73CH1H471JT +1608			
	C3106,3107	nsp	CK73B1E104KT +1608			
	C3108,3109	nsp	CE04W1C221MT(RA3)			
	C3110,3111	nsp	CK73B1E104KT +1608			
	C3112,3113	133050082518S	CQ93M2A223JT(PE)			
	C3114-3116	nsp	CK73B1E104KT +1608			
	C3117	nsp	CC73CH1H220JT +1608			
	C3118	nsp	CK73B1E104KT +1608			
	C3119	133050087506S	CQ93M2A472JT(PEF)			
	C3120	nsp	CK73B1E104KT +1608			
	C3121	133050087506S	CQ93M2A472JT(PEF)			
	C3122	nsp	CK73B1E104KT +1608			
	C3123	nsp	CC73CH1H220JT +1608			
	C3124	nsp	CK73B1H102KT +1608			
	C3125	nsp	CK73B1H103KT (1608) +1608			
	C3126,3127	nsp	CC73CH1H220JT +1608			
	C3128	nsp	CK73B1E104KT +1608			
	C3129	nsp	100 UF M 25V RA-2			

	Ref. No.	Part No.	Part Name	Remarks	Q'ty	New
	C3130,3131	nsp	47 UF M 25V RA-2			
	C3132-3135	nsp	CK73B1E104KT +1608			
	C3136-3139	nsp	CC73CH1H220JT +1608			
	C3140,3141	nsp	CC73CH1H102JT +1608			
	C3142	nsp	100 UF M 25V RA-2			
	C3143-3145	nsp	CK73B1E104KT +1608			
	C3146,3147	nsp	47 UF M 16V RA-2			
	C3148-3150	nsp	CK73B1E104KT +1608			
	C3151	nsp	47 UF M 16V RA-2			
	C3152	nsp	CK73B1H103KT (1608) +1608			
	C3153	nsp	CK73B1E104KT +1608			
	C3155,3156	133050086572S	CQ93M2A272JT(PEF)			
	C3157	00D2572022909	CS77B0J220MT(NOJ)			
	C3158	nsp	CK73B1E104KT +1608			
	C3200-3203	nsp	CC73CH1H331JT +1608			
	C3204,3205	nsp	CC73CH1H471JT +1608			
	C3208,3209	nsp	CE04W1C221MT(RA3)			
	C3212,3213	133050082518S	CQ93M2A223JT(PE)			
	C3219	133050087506S	CQ93M2A472JT(PEF)			
	C3220	nsp	CK73B1E104KT +1608			
	C3221	133050087506S	CQ93M2A472JT(PEF)			
	C3222	nsp	CK73B1E104KT +1608			
	C3228	nsp	CK73B1E104KT +1608			
	C3229	nsp	100 UF M 25V RA-2			
	C3230,3231	nsp	47 UF M 25V RA-2			
	C3232-3235	nsp	CK73B1E104KT +1608			
	C3236-3239	nsp	CC73CH1H220JT +1608			
	C3240,3241	nsp	CC73CH1H102JT +1608			
	C3242	nsp	100 UF M 25V RA-2			
	C3243-3245	nsp	CK73B1E104KT +1608			
	C3246,3247	nsp	47 UF M 16V RA-2			
	C3248-3250	nsp	CK73B1E104KT +1608			
	C3251	nsp	47 UF M 16V RA-2			
	C3252	nsp	CK73B1H103KT (1608) +1608			
	C3253	nsp	CK73B1E104KT +1608			
	C3255,3256	133050086572S	CQ93M2A272JT(PEF)			
	C3326	nsp	47 UF M 16V RA-2			
	C3406,3407	nsp	CK73F1E104ZT +1608			
	C3412,3413	nsp	CK73B1H102KT +1608			
	C3415	nsp	CK73B1H102KT +1608			
	C3416	nsp	CK73B1H103KT (1608) +1608			
	C3417-3419	nsp	CK73B1H102KT +1608			
	C3420	nsp	CK73B1H103KT (1608) +1608			
	C3421-3423	nsp	CK73B1H102KT +1608			
	C3430	nsp	CK73B1H103KT (1608) +1608			
	C3431	nsp	CK73B1H102KT +1608			
	C3500-3503	nsp	CC73CH1H331JT +1608			
	C3505-3508	nsp	CC73CH1H220JT +1608			
	C3509-3511	nsp	CK73B1E104KT +1608			
	C3512	nsp	47 UF M 25V RA-2			
	C3513	nsp	CK73B1E104KT +1608			
	C3515	nsp	CK73B1H103KT (1608) +1608			

	Ref. No.	Part No.	Part Name	Remarks	Q'ty	New
	C3521,3522	nsp	CK73B1E104KT +1608			
	C3523	nsp	CC73CH1H220JT +1608			
	C3524,3525	nsp	47 UF M 25V RA-2			
	C3527	nsp	CK73B1E104KT +1608			
	C3528	nsp	100 UF M 25V RA-2			
	C3529	nsp	CK73B1E104KT +1608			
	C3530	nsp	100 UF M 25V RA-2			
	C3531-3537	nsp	CK73B1E104KT +1608			
	C3538,3539	nsp	CC73CH1H220JT +1608			
	C3541	nsp	CC73CH1H220JT +1608			
	C3542,3543	nsp	47 UF M 25V RA-2			
	C3544	nsp	CK73B1E104KT +1608			
	C3545-3549	nsp	CC73CH1H220JT +1608			
	C3550-3552	nsp	CC73CH1H102JT +1608			
	C3553	nsp	100 UF M 25V RA-2			
	C3554	nsp	CK73B1E104KT +1608			
	C3555	nsp	100 UF M 25V RA-2			
	C3556	nsp	CK73B1E104KT +1608			
	C3557	nsp	CC73CH1H102JT +1608			
	C3558-3561	nsp	CK73B1E104KT +1608			
	C3562-3565	nsp	47 UF M 16V RA-2			
	C3566-3571	nsp	CK73B1E104KT +1608			
	C3572,3573	nsp	47 UF M 16V RA-2			
	C3574,3575	nsp	CK73B1H103KT (1608) +1608			
	C3576,3577	nsp	CK73B1E104KT +1608			
	C3580	nsp	CC73CH1H220JT +1608			
	C3581,3582	nsp	CK73B1E104KT +1608			
	C3583	nsp	CC73CH1H220JT +1608			
	C3584,3585	nsp	CK73B1E104KT +1608			
	C3586	00D2572022909	CS77B0J220MT(NOJ)			
	C3587	nsp	CK73B1E104KT +1608			
	C3700	nsp	CK73B1H103KT (1608) +1608			
	C3701	nsp	CK73F1E104ZT +1608			
	C3703	nsp	CK73F1E104ZT +1608			
	C3704	nsp	47 UF M 16V RA-2			
	C3705	nsp	CC73CH1H101JT +1608			
	C3715	nsp	CC73CH1H101JT +1608			
	C3785	nsp	CK73F1E104ZT +1608			
	C3786	nsp	CK73B1H103KT (1608) +1608			
	C3800,3801	nsp	CK73B1H682KT +1608			
	C3802,3803	nsp	CK73B1H102KT +1608			
	C3804	nsp	CK73B1E104KT +1608			
	C3805	nsp	CK73B1H102KT +1608			
⚠	C5100	00D2538022707	CK45F2EAC103MC			
⚠	C5101,5102	00MDK17152927	# DE1E3KX152MB4BL01			
⚠	C5103	00D2568039003	CF99--2EAC104K(LEMV)			
⚠	C5104	00D2544589713	CE04W2G101MC(KMG)			
	C5106	132550013507S	CK73B2J103KT(3216)			
	C5107	134050078505S	CE04W1J150MT E11(KY)			
	C5108	nsp	CK73B1H472KT +1608			
⚠	C5110	00MDK17152927	# DE1E3KX152MB4BL01			
	C5113	nsp	CC73CH1H102JT +1608			

	Ref. No.	Part No.	Part Name	Remarks	Q'ty	New
△	C5115	00D2544652705	CE04W1A222MC J30(KY)			
△	C5116,5117	00D2542708701	CE04W1E471MC J16(KY)			
	C5120	00D2542708701	CE04W1E471MC J16(KY)			
	C5122,5123	nsp	CK73B1E104KT +1608			
	C5124,5125	00D2542708701	CE04W1E471MC J16(KY)			
	C5126-5128	nsp	CK73B1E104KT +1608			
	C5130	nsp	CE04W1E470MT SMG/RE3			
△	C5131	00D2544652705	CE04W1A222MC J30(KY)			
	C5132	00D2544651926	CE04W0J681MT HB5(KY)			
	C5134	nsp	CE04W1H100MT(RA3)			
	C5141	nsp	CK73B1E104KT +1608			
	C5142	nsp	CE04W1H100MT(RA3)			
	C5143-5145	nsp	CK73B1H102KT +1608			
	C5146,5147	nsp	CK73B1E104KT +1608			
	C5148,5149	nsp	CK73B1H102KT +1608			
	C5151,5152	nsp	CE04W1H3R3MT(RA3)			
	C5503,5504	133050083511S	CQ93M2A104JT(PEF)			
	C5507	nsp	CK73B1E104KT +1608			
	C5508	133050083511S	CQ93M2A104JT(PEF)			
	C5517,5518	00D2544809011	CE04W1V102M(KMQ)			
	C5519	00D2544814006	CE04W1E472MC(KMG)			
	C5520,5521	00D2544774722	CE04W1E331MF(RFS#A)			
	C5524	00MOA47801626	4700UF 16V RA2			
	C5525	nsp	CE04W1E470MT SMG/RE3			
	C5526	nsp	CK73B1E104KT +1608			
△	C5527	132050037201S	CC45SL3D150JC			
	C5528	nsp	CK73B1E104KT +1608			
	C5530	nsp	CK73B1H102KT +1608			
	C5531	nsp	CK73B1H103KT (1608) +1608			
	C5534,5535	nsp	CK73B1H102KT +1608			
	C5540	nsp	CK73B1E104KT +1608			
OTHERS PARTS GROUP						
△	F5100	00D2061087073	FUSE (ET1.6A)			
	H5101,5102	nsp	FUSE CLIP(TAPE)			
	L2160	nsp	CHIP EMIFIL(11A121) +1608			
	L3102	nsp	CHIP EMIFIL(11A121) +1608			
	L3202	nsp	CHIP EMIFIL(11A121) +1608			
	L3300	nsp	CHIP EMIFIL(11A121) +1608			
	L3500,3501	nsp	CHIP EMIFIL(11A121) +1608			
△	L5100	00D2350157009	PLA10AN7720R7D2B			
	L5101	nsp	LHL10TB100KT			
	L5102,5103	nsp	COIL LHL10TB220KT			
△	L5104	00D2350159007	PLH10AN3711ROP2B			
	L5105	nsp	LHL10TB100KT			
	L5106	nsp	ELC0607RA-220K1R2-PF			
	N0021	nsp	CONNECTOR 2P B3P-VH			
	N0034	nsp	3P KR-DA CON CORD			

	Ref. No.	Part No.	Part Name	Remarks	Q'ty	New
	N0041	nsp	B4B-PH-K-S (LF)(SN)			
	N0043	nsp	4P KR-DA CONN CORD			
	N0044	nsp	S4B-PH-K-S (LF)(SN)			
	N0065	nsp	6P KR-DA CON.CORD			
	N0068	nsp	S6B-PH-K-S (LF)(SN)			
	N0069	nsp	6P KR-DA CON CORD			
	N0081	nsp	8P KR-DA CON.CORD			
	N0131	nsp	13P FFC CON. BASE			
	N0231,0232	nsp	23P FFC BASE(P=1)			
	S3401	665010004406S	SKHHLR 160GF			
	S3402	00D2120443008	SLIDE SW(SSAA120400)			
	S3800,3801	00D2120443008	SLIDE SW(SSAA120400)			
	△ S5100	665010008002D	POWER SWITCH (TV-5)			
	K2102,2103	00D2051255006	XLR OUT (JY-5032A)			
	K2400	643010072003S	YKB22-5357			
	K3100	646010019001S	8P PIN JACK(MSP-248V3)-NI-W/R			
	K3500	646010019001S	8P PIN JACK(MSP-248V3)-NI-W/R			
	K3502,3503	00D2048416007	MINI JACK			
	B2200	nsp	GND TERMINAL FOR PCB			
	B2700	nsp	GND TERMINAL FOR PCB			
	B3402	nsp	M3 SCREW TERMINAL			
	B3750	nsp	GND TERMINAL FOR PCB			
	B5100	nsp	M3 SCREW TERMINAL			
	B5101,5102	nsp	GND TERMINAL FOR PCB			
	△ T5100	00D2790052007	NTPAD8R0LDNB0			
	△ T5501	102010023104S	ST-4541			*
	Z5100	nsp	STYLE PIN			
	Z5502	nsp	RADIATOR			
		nsp	SCREW			

PANEL P.W.B. UNIT ASS'Y

	Ref. No.	Part No.	Part Name	Remarks	Q'ty	New
SEMICONDUCTORS GROUP						
	D0101-0104	176010010208S	LAP-401DN			*
	D0105,0106	00D3939671002	SMLU12416W-S			
	D0107,0108	00D3939607908	SLR342VC(TB7)			
	D0109	263010040400S	SLI-343D8C(T32)			
	D0110	263010041403S	SLI-343V8RC(T32)			
	D0111	00D3939608907	SLR342MC(TB7)			
	D0112	nsp	DAN202KT146 +C			
	D0113	00D3939608907	SLR342MC(TB7)			
	D0114	263010041403S	SLI-343V8RC(T32)			
	D0115	00D3939607908	SLR342VC(TB7)			
	D0116	263010040400S	SLI-343D8C(T32)			
	D0117	00D3939608907	SLR342MC(TB7)			
	D0118	00D3939607908	SLR342VC(TB7)			
	D0119,0120	00D3939609906	SLR342DC(TB7)			
	D0121	00D3939608907	SLR342MC(TB7)			
	D0122	263010040400S	SLI-343D8C(T32)			
	D0123	00D3939608907	SLR342MC(TB7)			
	D0124-0126	00D3939609906	SLR342DC(TB7)			
	D0127,0128	00D3939608907	SLR342MC(TB7)			
	D0129	263010041403S	SLI-343V8RC(T32)			
	D0130-0132	00D3939609906	SLR342DC(TB7)			
	D0133	00D3939608907	SLR342MC(TB7)			
	D0134	00D3939607908	SLR342VC(TB7)			
	D0135-0137	00D3939608907	SLR342MC(TB7)			
	D0138	176010002405S	LED (SLR343BC7T)			
	D0139	00D3939608907	SLR342MC(TB7)			
	D0140-0145	263010041403S	SLI-343V8RC(T32)			
	D0146	00D3939607908	SLR342VC(TB7)			
	D0147	263010019406S	SLR-322MC			
	D0148,0149	263010041403S	SLI-343V8RC(T32)			
	D0150	00D3939671002	SMLU12416W-S			
	D0151	263010041403S	SLI-343V8RC(T32)			
	D0152	00D3939607908	SLR342VC(TB7)			
	D0153	263010041403S	SLI-343V8RC(T32)			
	D0154	263010019406S	SLR-322MC			
	D0155	263010040400S	SLI-343D8C(T32)			
	D0156	00D3939674902	SLR343EC4TT32			
	D0401-0418	nsp	DAN202KT146 +C			
	D0420	nsp	DAN202KT146 +C			
	D0601	nsp	DAP202KT146 +C			
	D0602	nsp	DAN202KT146 +C			
	D0603,0604	00D2760717903	1SS355 TE-17 +C			
	U0101,0102	00D2622953915	SN74HCT138APW			
	U0103	235710040507P	TB62777FNG			
	U0401-0403	00D2623273908	SN74LV4051APW-EL2			
	U0404	00D2623694901	SN74LV165APW			
	U0601	00D2630896909	NJM2068MD-TE1 +C			
	Q0101-0114	212450004509S	2SB1689			

	Ref. No.	Part No.	Part Name	Remarks	Q'ty	New
	Q0601	00MHX333241BY	2SC3324 (B)			
	Q0602	00MHX300012AY	2SC4081 (Q R) 2SC4116 (Y GR)			
	Q0603	00MHX333241BY	2SC3324 (B)			
	Q0604	00MHX300012AY	2SC4081 (Q R) 2SC4116 (Y GR)			
RESISTORS GROUP						
	R0601,0602	nsp	RM73B--103DT(1608) +1608			
	R0603	nsp	RM73B--100DT(1608)			
	R0604	nsp	RM73B--102DT(1608)			
	R0605	nsp	RM73B--331DT(1608)			*
	R0606	nsp	RM73B--390DT(1608)			
	R0607	nsp	RM73B--102DT(1608)			
	R0608	nsp	RM73B--331DT(1608)			*
	R0609	nsp	RM73B--100DT(1608)			
	R0610	nsp	RM73B--473DT(1608)			
	R0611,0612	nsp	RM73B--103DT(1608) +1608			
	R0613	nsp	RM73B--102DT(1608)			
	R0614	nsp	RM73B--471DT(1608)			*
	R0615	nsp	RM73B--100DT(1608)			
	R0616	nsp	RM73B--821DT(1608)			*
	R0617	nsp	RM73B--153DT(1608)			
	R0620,0621	nsp	RM73B--153DT(1608)			
	V0401	674010007003S	RS4511			*
	V0402	671010030202S	RK11K1140D36			
	V0404,0405	671010034006S	XV09213NPV30F1B10KCC			
	V0406	671010035207S	XV09213NPV30F1B10K			
	V0407	671010031205S	RK11K1140D37			
	V0408,0409	671010030202S	RK11K1140D36			
	V0410	671010020007S	RK09L1140A2U			
	V0411	671010031205S	RK11K1140D37			
	V0412-0414	671010030202S	RK11K1140D36			
	V0415	671010031205S	RK11K1140D37			
	V0416	671010035207S	XV09213NPV30F1B10K			
	V0417	671010031205S	RK11K1140D37			
	V0418	671010030202S	RK11K1140D36			
	V0419	671010020007S	RK09L1140A2U			
	V0420	674010007003S	RS4511			*
	V0421,0422	671010030202S	RK11K1140D36			
	V0601	671010027206S	RK09L12B0-F20-C0-C502			
CAPACITORS GROUP						
	C0101	nsp	CK73B1H102KT +1608			
	C0102	nsp	CK73F1E104ZT +1608			
	C0103	nsp	CE04W1A101MT(SRE)			
	C0104,0105	nsp	CK73F1E104ZT +1608			
	C0108	nsp	CK73F1E104ZT +1608			
	C0109,0110	nsp	CK73B1H103KT (1608) +1608			
	C0113	nsp	CK73B1H103KT (1608) +1608			
	C0123	nsp	CK73B1H103KT (1608) +1608			

	Ref. No.	Part No.	Part Name	Remarks	Q'ty	New
	C0128	nsp	CK73B1H102KT +1608			
	C0130	nsp	CE04W1C100MT(SRE)			
	C0401-0416	nsp	CK73F1E104ZT +1608			
	C0419	nsp	CK73F1E104ZT +1608			
	C0423	nsp	CK73B1H103KT (1608) +1608			
	C0464,0465	nsp	CK73F1E104ZT +1608			
	C0467,0468	nsp	CK73F1E104ZT +1608			
	C0474,0475	nsp	CK73F1E104ZT +1608			
	C0478-0481	nsp	CK73F1E104ZT +1608			
	C0603,0604	nsp	CK73B1E104KT +1608			
	C0605,0606	nsp	47 UF M 16V RA-2			
	C0607,0608	nsp	CC73CH1H101JT +1608			
	C0609	nsp	CC73CH1H220JT +1608			
	C0610	nsp	CE04W1C331MT(RA3)			
	C0611	nsp	CC73CH1H220JT +1608			
	C0612,0613	nsp	47 UF M 25V RA-2			
	C0614,0615	nsp	CC73CH1H101JT +1608			
	C0616,0617	nsp	CK73B1E104KT +1608			
	C0618	nsp	100 UF M 25V RA-2			
	C0619,0620	nsp	CC73CH1H220JT +1608			
	C0621,0622	nsp	CK73B1E104KT +1608			
	C0623,0624	nsp	220 UF M 25V RA-2			
	C0701-0703	nsp	CK73B1H102KT +1608			
	C0704	nsp	CK73B1E104KT +1608			
OTHERS PARTS GROUP						
	L0101	nsp	ELC0607RA-220K1R2-PF			
	N0031	nsp	S3B-PH-K-S (LF)(SN)			
	N0041	nsp	S4B-EH			
	N0043	nsp	4P KR-DS L=350			
	N0066	nsp	B6B-PH-K-S (LF)(SN)			
	N0131	nsp	13P CON PLUG TWG-P			
	N0132	nsp	13P CON BASE TWG-P			
	N0252	nsp	25P FFC BASE(9610S)Y			
	S0401-0411	00D2125611903	TACT SWITCH(TAPE H5)			
	S0413,0414	00D2125611903	TACT SWITCH(TAPE H5)			
	S0416	00D2125611903	TACT SWITCH(TAPE H5)			
	S0418-0420	00D2125611903	TACT SWITCH(TAPE H5)			
	S0433,0434	663010004004S	SRBV160800			
	S0437	00D2120511008	ROTARY SW(1-8)			
	S0701,0702	00D2120443008	SLIDE SW(SSAA120400)			
	K0601	00D2051254007	XLR IN (JY-5033U)			
	B0601	nsp	M3 SCREW TERMINAL			
	B0702	nsp	M3 SCREW TERMINAL			