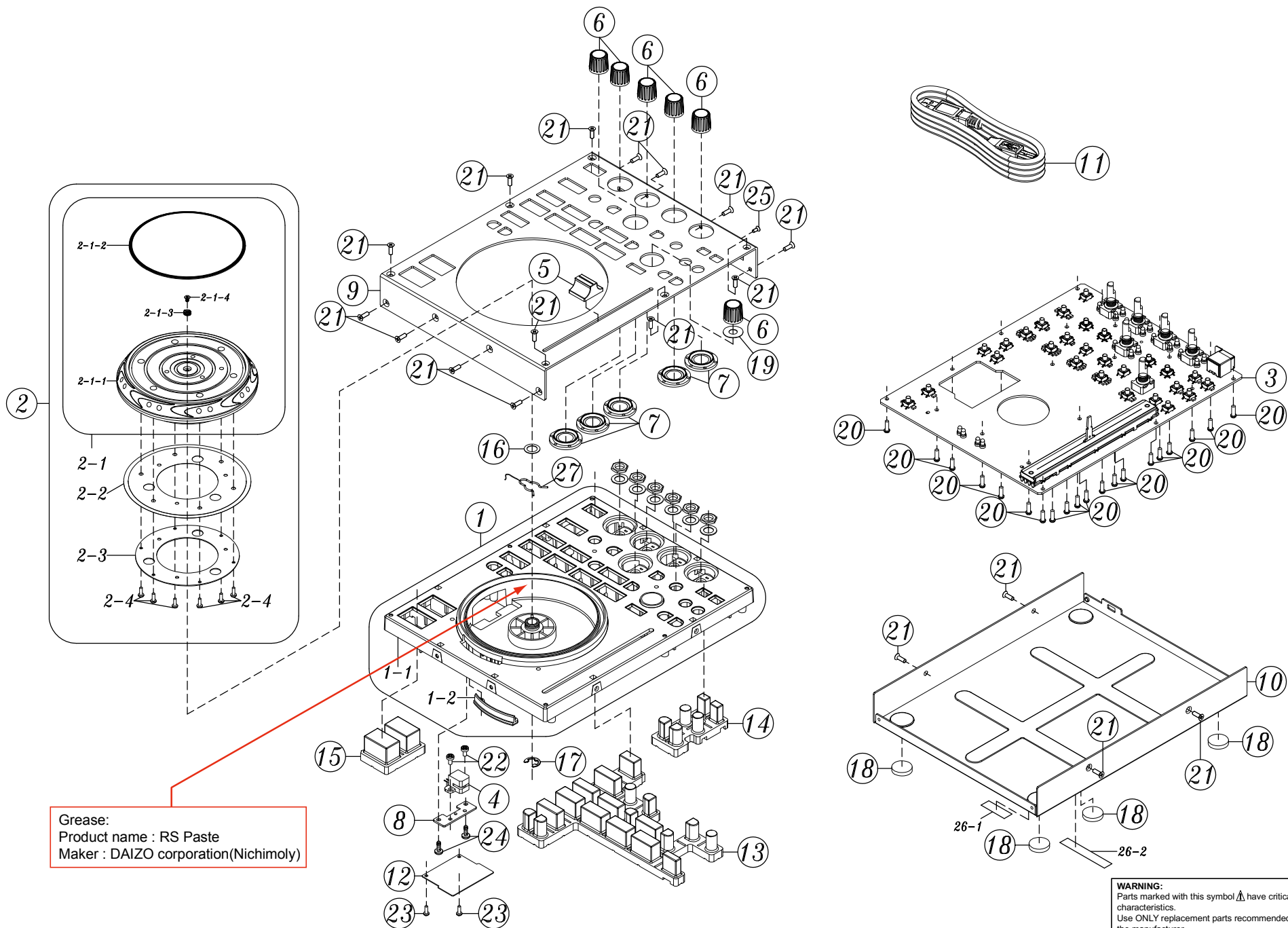


EXPLODED VIEW & POINTS OF GREASING



Grease:
 Product name : RS Paste
 Maker : DAIZO corporation(Nichimoly)

WARNING:
 Parts marked with this symbol ⚠ have critical characteristics.
 Use ONLY replacement parts recommended by the manufacturer.

PARTS LIST OF EXPLODED VIEW

* Parts for which "nsp" is indicated on this table cannot be supplied.

* P.W.B. ASS'Y for which "nsp" is indicated on this table cannot be supplied. When repairing the P.W.B. ASS'Y, check the board parts table and order replacement parts.

* Part indicated with the mark "★" is not illustrated in the exploded view.

* The parts listed below are for maintenance only, might differ from the parts used in the unit in appearances or dimensions.

Note: The symbols in the column "Remarks" indicate the following destinations.

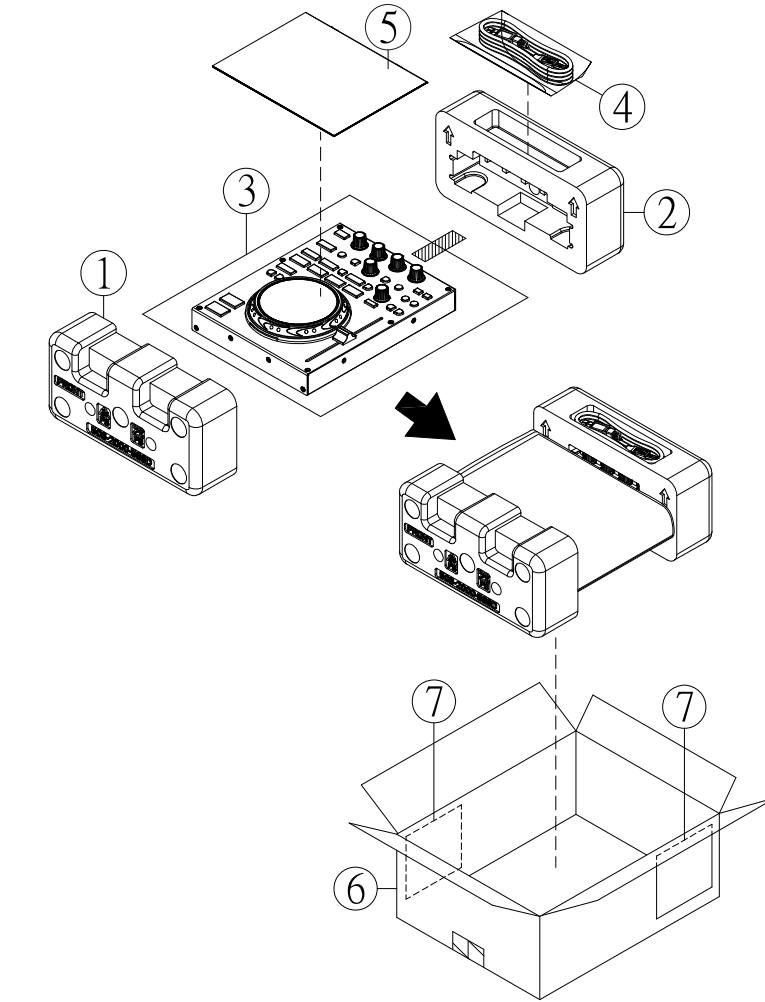
E3 : U.S.A. & Canada model

E2 : Europe model

EA : Australia model

Ref. No.	Part No.	Part Name	Remarks		Q'ty	New
1	nsp	FRAME COVER ASS'Y		701-2000-4921	1	
1-1	941443004100P	FRAME PLASTIC ASS'Y		701-2000-4816	1	*
1-2	nsp	JACKET COVER		100-2000-2775	1	
1-3	nsp	PULLEY SPRING		603-PROS2-256A	1	
2	nsp	WHEEL ASS'Y		701-2000-4922	1	
2-1	941412004120P	WHEEL & PLATE ASS'Y		701-2000-4815	1	*
2-1-1	nsp	WHEEL & SHAFT ASS'Y		701-2000-4815	1	
2-1-2	nsp	WHEEL PLATE		300-2000-1833	1	
2-1-3	nsp	SPRING(SUS304,Φ0.3,L=6)		603-M1-384	1	
2-1-4	nsp	SCWER(SAE1018,STS,2.0*3)		602-STS2003-677	1	
2-2	941483004110P	ENCODER PLATE		300-PROS2-848	1	*
2-3	nsp	ENCODER FIXED PLATE		300-PROS2-851	1	
2-4	nsp	SCREW(PTBΦ2*L6)		602-PROS2-363	6	
3	nsp	CONTROL PCB ASS'Y		704-SC2000-9495	1	
4	nsp	SENSOR PCB ASS'Y		704-CDI600-7990	1	
5	nsp	PUSH BUTTON		100-700-2679	1	
6	nsp	JOG TUNING KNOB		100-1000S-2736	6	
7	941483004110P	JACKET RING		100-2000-2774	5	*
8	nsp	SENSOR FIXED PLATE(SECC,1.2t)		300-HDJ9800-981	1	
9	941402004030P	TOP COVER		300-2000-1830	1	*
10	nsp	BASE		300-2000-1831	1	
11	nsp	USB CABLE(L=1000mm)		408-IM-081	1	
12	nsp	DUST-PROOF SLICE		501-HDJ9800-1648	1	
13	941411003840P	SOFT KNOB		604-2000-549	1	*
14	941411003850P	6 KEY SOFT KNOB		604-2000-550	1	*
15	941411003860P	2 KEY SOFT KNOB		604-2000-551	1	*
16	nsp	PULLEY WASHER(Φ1.6*6*0.25t)		606-F200-003	1	
17	nsp	E RING		606-DJ3000-105	1	
18	nsp	F00T(PORON,BLACK,Φ15*3t)		612-HV3500K-055	4	
19	nsp	FIBROUS(Φ4.6*6.2*0.3t)		612-1000S-348	1	
20	nsp	SCREW(SAE1018,PTP,M2.6*L8)		602-SL24F-099	20	
21	nsp	SCREW(Φ5,L=8)		602-HP1010K-182	18	
22	nsp	SCREW(SAE1018,ISOP,M3*5L*P0.5)		602-MP3-324	2	
23	nsp	SCREW(PTBΦ2*L6)		602-PROS2-363	2	
24	nsp	SCREW(SAE1018,PTBΦ3*L8)		602-DJ5500-452	2	
25	nsp	SCREW(C1018,ISOF,M2*5)		602-ISOF2005-686B	1	
26-1	nsp	BAR CODE-MAKE DATE(24*8mm,t=0.1mm)		701-SC2000-4916	1	
26-2	nsp	BAR CODE-SERIAL NO.(46*8mm,t=0.1mm)				

PACKING VIEW



PARTS LIST OF PACKING & ACCESSORIES

* Parts for which "nsp" is indicated on this table cannot be supplied.

* Part indicated with the mark "★" is not illustrated in the exploded view.

* The parts listed below are for maintenance only, might differ from the parts used in the unit in appearances or dimensions.

Note: The symbols in the column "Remarks" indicate the following destinations.

Note: The symbols in the column "Remarks" indicate the following destinations.

E3 : U.S.A. & Canada model

E2 : Europe model

EA : Australia model

Ref. No.	Part No.	Part Name	Remarks	Q'ty	New
1	941533004050P	POLYFOAM D	506-2000-589D	1	*
2	941533004060P	POLYFOAM U	506-2000-589U	1	*
3	941535004070P	SOFT BAG	509-2000-284	1	*
4	nsp	USB CABLE(L=1000mm)	408-IM-081	1	
4	nsp	POLYBAG(120*250mm)	505-HM500A-049	1	
5	941541004080P	I/B	502-DSC2000-3008	1	*
5	941543004250P	QUICK GUIDE	502-DSC2000-3019	1	*
6	941531004090S	GIFT BOX	507-SC2000-3206	1	*
7	nsp	BAR CODE(86*209mm,t=0.1mm)	701-SC2000EM-4916	1	
7-1	-	BAR CODE-SERIAL NO.(FOR GIFT BOX)	-	-	
7-2	-	BAR CODE-SERIAL NO.(FOR OUT CARTON)	-	-	

PARTS LIST OF P.W.B. UNIT

* Parts for which "nsp" is indicated on this table cannot be supplied.

* The parts listed below are for maintenance only, might differ from the parts used in the unit in appearances or dimensions.

Note: The symbols in the column "Remarks" indicate the following destinations.

E3 : U.S.A. & Canada model

E2 : Europe model

EA : Australia model

CONTROL P.W.B. UNIT ASS'Y

Ref. No.	Part No.	Part Name	Remarks	Q'ty	New
SEMICONDUCTORS GROUP					
IC101	941243004230P	CONTROL IC ASS'Y (MC9S08JM32CLH,LQFP-64)		704-SC2000-9496	*
IC102	941239003100S	IC(BD4740G-TR,SMP5)	NOTE : When update Firmware, please confirm a last version in SDI. Use the service board after updating it.	417-9000-740	
IC103	00D9587058204	IC(BA033FP-E2,TO-252-3)		417-CTB200-500	
IC104	941243004220P	IC(PIC16F616-I/SL,SOIC-16)		417-RMP3-936	*
IC105-108	00D9587058709	IC(74HC595D/74AHC595D/74AHC595DR /74HC595D@118,SO-16)		417-HDJ9800-643	
Q101-132	00D9587057700	TRANSISTOR(DTC114EKAT146,SMT3)		416-HDJ2460-234	
Q134	00D9587057700	TRANSISTOR(DTC114EKAT146,SMT3)		416-HDJ2460-234	
D101-104	nsp	ESD DIODE(EDZCTE616.8B,150MW,6.93V,EMD2)		414-RMP3-285	
D105-137	nsp	SWITCHING DIODE (ISS355,TE-17,100mA,90V,UMD2)		414-CD1000-075	
D139-149	nsp	SWITCHING DIODE (ISS355,TE-17,100mA,90V,UMD2)		414-CD1000-075	
D150	nsp	ESD DIODE(EDZCTE616.8B,150MW,6.93V,EMD2)		414-RMP3-285	
D152	nsp	TVS DIODE(SMAJ6.0A,400W,6.0V,DO-214AC)		414-UDJ200-284	
D169A	941263004170P	LED(LTL-1 CHTBK4,3.1Φ,BLUE)		410-CDI600-357	*
D169B	941263004170P	LED(LTL-1 CHTBK4,3.1Φ,BLUE)		410-CDI600-357	*
D184A	941263004170P	LED(LTL-1 CHTBK4,3.1Φ,BLUE)		410-CDI600-357	*
D184B	941263004170P	LED(LTL-1 CHTBK4,3.1Φ,BLUE)		410-CDI600-357	*
D166A	941263004180P	LED(YELLOW GREEN,LTL1CHJGDNN)		410-DJ5000-252	*
D166B	941263004180P	LED(YELLOW GREEN,LTL1CHJGDNN)		410-DJ5000-252	*
D168A	941263004180P	LED(YELLOW GREEN,LTL1CHJGDNN)		410-DJ5000-252	*
D168B	941263004180P	LED(YELLOW GREEN,LTL1CHJGDNN)		410-DJ5000-252	*
D172A	941263004180P	LED(YELLOW GREEN,LTL1CHJGDNN)		410-DJ5000-252	*
D172B	941263004180P	LED(YELLOW GREEN,LTL1CHJGDNN)		410-DJ5000-252	*
D174A	941263004180P	LED(YELLOW GREEN,LTL1CHJGDNN)		410-DJ5000-252	*
D174B	941263004180P	LED(YELLOW GREEN,LTL1CHJGDNN)		410-DJ5000-252	*
D170A	941263001060S	LED(LTL1CHJEDNN,RED)		410-DJ5000-253	
D170B	941263001060S	LED(LTL1CHJEDNN,RED)		410-DJ5000-253	
D186A	941263001060S	LED(LTL1CHJEDNN,RED)		410-DJ5000-253	
D186B	941263001060S	LED(LTL1CHJEDNN,RED)		410-DJ5000-253	
D165A	941263004190P	LED(LTL1CHJSDNN,YELLOW)		410-HDJ2000-162	*
D165B	941263004190P	LED(LTL1CHJSDNN,YELLOW)		410-HDJ2000-162	*
D167A	941263004190P	LED(LTL1CHJSDNN,YELLOW)		410-HDJ2000-162	*
D167B	941263004190P	LED(LTL1CHJSDNN,YELLOW)		410-HDJ2000-162	*
D171A	941263004190P	LED(LTL1CHJSDNN,YELLOW)		410-HDJ2000-162	*
D171B	941263004190P	LED(LTL1CHJSDNN,YELLOW)		410-HDJ2000-162	*
D173A	941263004190P	LED(LTL1CHJSDNN,YELLOW)		410-HDJ2000-162	*
D173B	941263004190P	LED(LTL1CHJSDNN,YELLOW)		410-HDJ2000-162	*
D169A	nsp	LED HOLDER(LED3-1A-B,H=1.5mm,BLACK)		504-HDJ2000-097	*
D169B	nsp	LED HOLDER(LED3-1A-B,H=1.5mm,BLACK)		504-HDJ2000-097	*

Ref. No.	Part No.	Part Name	Remarks	Q'ty	New
D184A	nsp	LED HOLDER(LED3-1A-B,H=1.5mm,BLACK)		504-HDJ2000-097	*
D184B	nsp	LED HOLDER(LED3-1A-B,H=1.5mm,BLACK)		504-HDJ2000-097	*
D170A	nsp	LED HOLDER(LED3-1A-B,H=1.5mm,BLACK)		504-HDJ2000-097	*
D170B	nsp	LED HOLDER(LED3-1A-B,H=1.5mm,BLACK)		504-HDJ2000-097	*
D186A	nsp	LED HOLDER(LED3-1A-B,H=1.5mm,BLACK)		504-HDJ2000-097	*
D186B	nsp	LED HOLDER(LED3-1A-B,H=1.5mm,BLACK)		504-HDJ2000-097	*
D166A	nsp	LED HOLDER(LED3-1A-B,H=1.5mm,BLACK)		504-HDJ2000-097	*
D166B	nsp	LED HOLDER(LED3-1A-B,H=1.5mm,BLACK)		504-HDJ2000-097	*
D168A	nsp	LED HOLDER(LED3-1A-B,H=1.5mm,BLACK)		504-HDJ2000-097	*
D168B	nsp	LED HOLDER(LED3-1A-B,H=1.5mm,BLACK)		504-HDJ2000-097	*
D172A	nsp	LED HOLDER(LED3-1A-B,H=1.5mm,BLACK)		504-HDJ2000-097	*
D172B	nsp	LED HOLDER(LED3-1A-B,H=1.5mm,BLACK)		504-HDJ2000-097	*
D174A	nsp	LED HOLDER(LED3-1A-B,H=1.5mm,BLACK)		504-HDJ2000-097	*
D174B	nsp	LED HOLDER(LED3-1A-B,H=1.5mm,BLACK)		504-HDJ2000-097	*
D165A	nsp	LED HOLDER(LED3-1A-B,H=1.5mm,BLACK)		504-HDJ2000-097	*
D165B	nsp	LED HOLDER(LED3-1A-B,H=1.5mm,BLACK)		504-HDJ2000-097	*
D167A	nsp	LED HOLDER(LED3-1A-B,H=1.5mm,BLACK)		504-HDJ2000-097	*
D167B	nsp	LED HOLDER(LED3-1A-B,H=1.5mm,BLACK)		504-HDJ2000-097	*
D171A	nsp	LED HOLDER(LED3-1A-B,H=1.5mm,BLACK)		504-HDJ2000-097	*
D171B	nsp	LED HOLDER(LED3-1A-B,H=1.5mm,BLACK)		504-HDJ2000-097	*
D173A	nsp	LED HOLDER(LED3-1A-B,H=1.5mm,BLACK)		504-HDJ2000-097	*
D173B	nsp	LED HOLDER(LED3-1A-B,H=1.5mm,BLACK)		504-HDJ2000-097	*
D155A	941263002610S	CHIP LED(YELLOW,JA-3020Y,3*2)		410-F300-377	
D155B	941263002610S	CHIP LED(YELLOW,JA-3020Y,3*2)		410-F300-377	
D158A	941263002610S	CHIP LED(YELLOW,JA-3020Y,3*2)		410-F300-377	
D158B	941263002610S	CHIP LED(YELLOW,JA-3020Y,3*2)		410-F300-377	
D160A	941263002610S	CHIP LED(YELLOW,JA-3020Y,3*2)		410-F300-377	
D160B	941263002610S	CHIP LED(YELLOW,JA-3020Y,3*2)		410-F300-377	
D178A	941263002610S	CHIP LED(YELLOW,JA-3020Y,3*2)		410-F300-377	
D178B	941263002610S	CHIP LED(YELLOW,JA-3020Y,3*2)		410-F300-377	
D161A	941263002610S	CHIP LED(YELLOW,JA-3020Y,3*2)		410-F300-377	
D161B	941263002610S	CHIP LED(YELLOW,JA-3020Y,3*2)		410-F300-377	
D162A	941263002610S	CHIP LED(YELLOW,JA-3020Y,3*2)		410-F300-377	
D162B	941263002610S	CHIP LED(YELLOW,JA-3020Y,3*2)		410-F300-377	
D175A	941263002610S	CHIP LED(YELLOW,JA-3020Y,3*2)		410-F300-377	
D175B	941263002610S	CHIP LED(YELLOW,JA-3020Y,3*2)		410-F300-377	
D180A	941263002610S	CHIP LED(YELLOW,JA-3020Y,3*2)		410-F300-377	
D180B	941263002610S	CHIP LED(YELLOW,JA-3020Y,3*2)		410-F300-377	
D181A	941263002610S	CHIP LED(YELLOW,JA-3020Y,3*2)		410-F300-377	
D181B	941263002610S	CHIP LED(YELLOW,JA-3020Y,3*2)		410-F300-377	
D154A	941263003110S	CHIP LED(JA-3020R,3*2,RED)		410-MIX101-373	
D154B	941263003110S	CHIP LED(JA-3020R,3*2,RED)		410-MIX101-373	
D164A	941263003110S	CHIP LED(JA-3020R,3*2,RED)		410-MIX101-373	
D164B	941263003110S	CHIP LED(JA-3020R,3*2,RED)		410-MIX101-373	
D177A	941263003110S	CHIP LED(JA-3020R,3*2,RED)		410-MIX101-373	
D177B	941263003110S	CHIP LED(JA-3020R,3*2,RED)		410-MIX101-373	
D153A	941263002620S	CHIP LED(JA-3020YG,3'2,YELLOW/GREEN)		410-MIX101-374	
D153B	941263002620S	CHIP LED(JA-3020YG,3'2,YELLOW/GREEN)		410-MIX101-374	
D156A	941263002620S	CHIP LED(JA-3020YG,3'2,YELLOW/GREEN)		410-MIX101-374	
D156B	941263002620S	CHIP LED(JA-3020YG,3'2,YELLOW/GREEN)		410-MIX101-374	
D157A	941263002620S	CHIP LED(JA-3020YG,3'2,YELLOW/GREEN)		410-MIX101-374	
D157B	941263002620S	CHIP LED(JA-3020YG,3'2,YELLOW/GREEN)		410-MIX101-374	

	Ref. No.	Part No.	Part Name	Remarks		Q'ty	New
	D159A	941263002620S	CHIP LED(JA-3020YG,3'2,YELLOW/GREEN)		410-MIX101-374		
	D159B	941263002620S	CHIP LED(JA-3020YG,3'2,YELLOW/GREEN)		410-MIX101-374		
	D183A	941263002620S	CHIP LED(JA-3020YG,3'2,YELLOW/GREEN)		410-MIX101-374		
	D183B	941263002620S	CHIP LED(JA-3020YG,3'2,YELLOW/GREEN)		410-MIX101-374		
	D179A	941263002620S	CHIP LED(JA-3020YG,3'2,YELLOW/GREEN)		410-MIX101-374		
	D179B	941263002620S	CHIP LED(JA-3020YG,3'2,YELLOW/GREEN)		410-MIX101-374		
	D176A	941263002620S	CHIP LED(JA-3020YG,3'2,YELLOW/GREEN)		410-MIX101-374		
	D176B	941263002620S	CHIP LED(JA-3020YG,3'2,YELLOW/GREEN)		410-MIX101-374		
	D163A	941263002010S	CHIP LED(JA-3020B,3*2,BLUE)		410-S700-375		*
	D163B	941263002010S	CHIP LED(JA-3020B,3*2,BLUE)		410-S700-375		*
	D182A	941263002010S	CHIP LED(JA-3020B,3*2,BLUE)		410-S700-375		*
	D182B	941263002010S	CHIP LED(JA-3020B,3*2,BLUE)		410-S700-375		*
RESISTORS GROUP							
	R112A	nsp	CHIP RESISTOR(110OHM,J,1/10W,TP 0603,50V)		412-11-1255		
	R112B	nsp	CHIP RESISTOR(110OHM,J,1/10W,TP 0603,50V)		412-11-1255		
	R114A	nsp	CHIP RESISTOR(110OHM,J,1/10W,TP 0603,50V)		412-11-1255		
	R114B	nsp	CHIP RESISTOR(110OHM,J,1/10W,TP 0603,50V)		412-11-1255		
	R116A	nsp	CHIP RESISTOR(110OHM,J,1/10W,TP 0603,50V)		412-11-1255		
	R116B	nsp	CHIP RESISTOR(110OHM,J,1/10W,TP 0603,50V)		412-11-1255		
	R118A	nsp	CHIP RESISTOR(110OHM,J,1/10W,TP 0603,50V)		412-11-1255		
	R118B	nsp	CHIP RESISTOR(110OHM,J,1/10W,TP 0603,50V)		412-11-1255		
	R121A	nsp	CHIP RESISTOR(110OHM,J,1/10W,TP 0603,50V)		412-11-1255		
	R121B	nsp	CHIP RESISTOR(110OHM,J,1/10W,TP 0603,50V)		412-11-1255		
	R134A	nsp	CHIP RESISTOR(110OHM,J,1/10W,TP 0603,50V)		412-11-1255		
	R134B	nsp	CHIP RESISTOR(110OHM,J,1/10W,TP 0603,50V)		412-11-1255		
	R135A	nsp	CHIP RESISTOR(110OHM,J,1/10W,TP 0603,50V)		412-11-1255		
	R135B	nsp	CHIP RESISTOR(110OHM,J,1/10W,TP 0603,50V)		412-11-1255		
	R137A	nsp	CHIP RESISTOR(110OHM,J,1/10W,TP 0603,50V)		412-11-1255		
	R137B	nsp	CHIP RESISTOR(110OHM,J,1/10W,TP 0603,50V)		412-11-1255		
	R140A	nsp	CHIP RESISTOR(110OHM,J,1/10W,TP 0603,50V)		412-11-1255		
	R140B	nsp	CHIP RESISTOR(110OHM,J,1/10W,TP 0603,50V)		412-11-1255		
	R142A	nsp	CHIP RESISTOR(110OHM,J,1/10W,TP 0603,50V)		412-11-1255		
	R142B	nsp	CHIP RESISTOR(110OHM,J,1/10W,TP 0603,50V)		412-11-1255		
	R124A	nsp	CHIP RESISTOR(110OHM,J,1/10W,TP 0603,50V)		412-11-1255		
	R124B	nsp	CHIP RESISTOR(110OHM,J,1/10W,TP 0603,50V)		412-11-1255		
	R127A	nsp	CHIP RESISTOR(110OHM,J,1/10W,TP 0603,50V)		412-11-1255		
	R127B	nsp	CHIP RESISTOR(110OHM,J,1/10W,TP 0603,50V)		412-11-1255		
	R130A	nsp	CHIP RESISTOR(110OHM,J,1/10W,TP 0603,50V)		412-11-1255		
	R130B	nsp	CHIP RESISTOR(110OHM,J,1/10W,TP 0603,50V)		412-11-1255		
	R133A	nsp	CHIP RESISTOR(110OHM,J,1/10W,TP 0603,50V)		412-11-1255		
	R133B	nsp	CHIP RESISTOR(110OHM,J,1/10W,TP 0603,50V)		412-11-1255		
	R115A	nsp	CHIP RESISTOR(110OHM,J,1/10W,TP 0603,50V)		412-11-1255		
	R115B	nsp	CHIP RESISTOR(110OHM,J,1/10W,TP 0603,50V)		412-11-1255		
	R117A	nsp	CHIP RESISTOR(110OHM,J,1/10W,TP 0603,50V)		412-11-1255		
	R117B	nsp	CHIP RESISTOR(110OHM,J,1/10W,TP 0603,50V)		412-11-1255		
	R119A	nsp	CHIP RESISTOR(110OHM,J,1/10W,TP 0603,50V)		412-11-1255		
	R119B	nsp	CHIP RESISTOR(110OHM,J,1/10W,TP 0603,50V)		412-11-1255		
	R120A	nsp	CHIP RESISTOR(110OHM,J,1/10W,TP 0603,50V)		412-11-1255		
	R120B	nsp	CHIP RESISTOR(110OHM,J,1/10W,TP 0603,50V)		412-11-1255		
	R125A	nsp	CHIP RESISTOR(110OHM,J,1/10W,TP 0603,50V)		412-11-1255		
	R125B	nsp	CHIP RESISTOR(110OHM,J,1/10W,TP 0603,50V)		412-11-1255		

Ref. No.	Part No.	Part Name	Remarks	Q'ty	New
R126A	nsp	CHIP RESISTOR(110OHM,J,1/10W,TP 0603,50V)		412-11-1255	
R126B	nsp	CHIP RESISTOR(110OHM,J,1/10W,TP 0603,50V)		412-11-1255	
R131A	nsp	CHIP RESISTOR(110OHM,J,1/10W,TP 0603,50V)		412-11-1255	
R131B	nsp	CHIP RESISTOR(110OHM,J,1/10W,TP 0603,50V)		412-11-1255	
R132A	nsp	CHIP RESISTOR(110OHM,J,1/10W,TP 0603,50V)		412-11-1255	
R132B	nsp	CHIP RESISTOR(110OHM,J,1/10W,TP 0603,50V)		412-11-1255	
R138A	nsp	CHIP RESISTOR(110OHM,J,1/10W,TP 0603,50V)		412-11-1255	
R138B	nsp	CHIP RESISTOR(110OHM,J,1/10W,TP 0603,50V)		412-11-1255	
R139A	nsp	CHIP RESISTOR(110OHM,J,1/10W,TP 0603,50V)		412-11-1255	
R139B	nsp	CHIP RESISTOR(110OHM,J,1/10W,TP 0603,50V)		412-11-1255	
R122A	nsp	CHIP RESISTOR(330OHM,1/10W,J,TP 0603,50V)		412-900-983	
R122B	nsp	CHIP RESISTOR(330OHM,1/10W,J,TP 0603,50V)		412-900-983	
R141A	nsp	CHIP RESISTOR(330OHM,1/10W,J,TP 0603,50V)		412-900-983	
R141B	nsp	CHIP RESISTOR(330OHM,1/10W,J,TP 0603,50V)		412-900-983	
R128A	nsp	CHIP RESISTOR(330OHM,1/10W,J,TP 0603,50V)		412-900-983	
R128B	nsp	CHIP RESISTOR(330OHM,1/10W,J,TP 0603,50V)		412-900-983	
R143A	nsp	CHIP RESISTOR(330OHM,1/10W,J,TP 0603,50V)		412-900-983	
R143B	nsp	CHIP RESISTOR(330OHM,1/10W,J,TP 0603,50V)		412-900-983	
R113A	nsp	CHIP RESISTOR(270 OHM,1/10W,0603,J,TP,50V)		412-007USB-698	
R113B	nsp	CHIP RESISTOR(270 OHM,1/10W,0603,J,TP,50V)		412-007USB-698	
R123A	nsp	CHIP RESISTOR(270 OHM,1/10W,0603,J,TP,50V)		412-007USB-698	
R123B	nsp	CHIP RESISTOR(270 OHM,1/10W,0603,J,TP,50V)		412-007USB-698	
R136A	nsp	CHIP RESISTOR(270 OHM,1/10W,0603,J,TP,50V)		412-007USB-698	
R136B	nsp	CHIP RESISTOR(270 OHM,1/10W,0603,J,TP,50V)		412-007USB-698	
R129A	nsp	CHIP RESISTOR(270 OHM,1/10W,0603,J,TP,50V)		412-007USB-698	
R129B	nsp	CHIP RESISTOR(270 OHM,1/10W,0603,J,TP,50V)		412-007USB-698	
R155A	nsp	CHIP RESISTOR(270 OHM,1/10W,0603,J,TP,50V)		412-007USB-698	
R155B	nsp	CHIP RESISTOR(270 OHM,1/10W,0603,J,TP,50V)		412-007USB-698	
R1	nsp	CHIP RESISTOR(2.4Kohm,1/10W,J,TP 0603,50V)		412-MH2-1135	
R2	nsp	CHIP RESISTOR(1KOHM,1/10W,J,TP 0603,50V)		412-CDVD2001-540	
R5	nsp	CHIP RESISTOR(20K OHM,1/10W,0603,J,TP ,50V)		412-DCM280-726	
R7	nsp	CHIP RESISTOR(51KOHM,1/10W,J,TP 0603,50V)		412-900-977	
R101,102	nsp	CHIP RESISTOR(300OHM,0603,J,1/10W,TAPING)		412-HC1000S-1413	
R103	nsp	CHIP RESISTOR(10K OHM,1/10W,0603,J,TP ,50V)		412-CDVD2001-534	
R106	nsp	CHIP RESISTOR(0 OHM,1/10W, 0603,J,TP,50V)		412-CDVD2001-552	
R107	nsp	CHIP RESISTOR(1 M OHM,1/10W,0603J,TP ,50V)		412-CDVD2001-546	
R108	nsp	CHIP RESISTOR(10K OHM,1/10W,0603,J,TP ,50V)		412-CDVD2001-534	
R109	nsp	CHIP RESISTOR(0 OHM,1/10W, 0603,J,TP,50V)		412-CDVD2001-552	
R110,111	nsp	CHIP RESISTOR(10K OHM,1/10W,0603,J,TP ,50V)		412-CDVD2001-534	
R144-154	nsp	CHIP RESISTOR(100 OHM,1/10W, 0603,J,TP,50V)		412-CDVD2001-530	
R156-167	nsp	CHIP RESISTOR(5.6K OHM,1/10W,0603,J,TP ,50V)		412-CDVD2001-537	
VR101	941674004200P	SLIDE VR(10KB*2.RF60112L4101)		418-SC2000-621	*
CAPASITORS GROUP					
C1	nsp	CHIP CAPACITOR(0.1uF/50V,M,0603 TYPE,Y5V)		413-DCM280-890	
C3	nsp	CHIP CAPACITOR(1uF/16V,Z,0603 TYPE,Y5V)		413-007USB-797	*
C8	nsp	CHIP CAPACITOR(1uF/16V,Z,0603 TYPE,Y5V)		413-007USB-797	*
C101	941134001550S	ELEC. CAPACITOR(10uF/16V,M,105 °C ,TAPING 4*7)		413-DV300-5155	
C102	nsp	CHIP CAPACITOR(0.1uF/50V,M,0603 TYPE,Y5V)		413-DCM280-890	
C103	941134001550S	ELEC. CAPACITOR(10uF/16V,M,105 °C ,TAPING 4*7)		413-DV300-5155	
C104	nsp	CHIP CAPACITOR(0.1uF/50V,M,0603 TYPE,Y5V)		413-DCM280-890	
C105	941134000520S	ELEC.CAPACITOR(4.7uF/25V,MINI)		413-SMX701-712	

Ref. No.	Part No.	Part Name	Remarks	Q'ty	New
C106	nsp	CHIP CAPACITOR(0.47uF/50V Y5V/0603 SMD)		413-CDVD2001-751	
C107-110	nsp	CHIP CAPACITOR(0.1uF/50V,M,0603 TYPE,Y5V)		413-DCM280-890	
C111	00D9587054907	ELEC. CAPACITOR (100uF/10V,M,105 °C ,TAPING 5*7,MINI)		413-HMA2200-5017	
C112,113	nsp	CHIP CAPACITOR(33pF/50V,J,0603 TYPE,NPO)		413-007USB-783	
C114	00D9587030701	ELEC. CAPACITOR (2.2uF/50V,M,105 °C ,TAPING 4*7,MINI)		413-DV300-5156	*
C115,116	nsp	CHIP CAPACITOR(3300pF/50V,K,0603 TYPE,X7R)		413-DCM280-770	
C122-125	nsp	CHIP CAPACITOR(0.1uF/50V,M,0603 TYPE,Y5V)		413-DCM280-890	
C126	00D9587054907	ELEC. CAPACITOR (100uF/10V,M,105 °C ,TAPING 5*7,MINI)		413-HMA2200-5017	
C127-138	nsp	CHIP CAPACITOR(0.01uF/50V,J,0603 TYPE,NPO)		413-DCM280-889	
OTHER PARTS GROUP					
FU1	941652004240P	CHIP FUSE(1A/30V,0603 TYPE)		422-HC1000-108	*
JK101	941643004210P	USB JACK(USB-B(F),90°,DIP)		420-007USB-150	*
CN102	nsp	4P 2.54 STRIP PIN HEADER(H=5.58mm,90°,DIP)		424-SC2000-152	
L101	nsp	TDK COMMON MODE FILTERS(ACM2012-900-2P-T)		415-FU800-305	
L102	nsp	BEAD CORE(A70512003, T-26mm)		415-HV3500K-090	
L103	941111004240P	INDUCTOR(10uH T-26mm)		415-MPG100-047	*
SW101-127	941662004200P	TACT SW(SFKHMMW2720T,4PIN,H=7,SMD)		403-ID-329	*
SW129-134	941667004160P	ENCODER(RE111F-41B1-19F-20P-030,L=19)		403-SC2000-380	*
X101	nsp	QUARTZ CRYSTAL(CSA-309,12MHz,3*9)		427-KMD3500-047	
	nsp	GROUND PLATE		300-2000-1832	
	nsp	VR CUSHTION(0.5t,BLACK)		612-2000-015	*

SENSOR P.W.B. UNIT ASS'Y

Ref. No.	Part No.	Part Name	Remarks	Q'ty	New
OTHER PARTS GROUP					
W102	nsp	4P 2.5 CONNECTOR WIRE(L=130mm,UL20080#26)		404-CD1600-3027	1
M301	nsp	IC(HEDS-9700#F51)		417-PS2-504	1