

PARTS LIST OF P.W.B. UNIT

*本表に記載されている部品は、補修用部品のため製品に使用している部品とは一部、形状、寸法などが異なる場合があります

Note: The symbols in the column "Remarks" indicate the following destinations.

E3: U.S.A. & Canada model

E2: Europe model

JP: Japan model

GU-3414A CD-ROM P.W.B. UNIT ASS'Y

Ref.No.	Part No.	Part Name	Remarks	Q'ty	New
SEMICONDUCTORS GROUP					
	IC109	262 3082 908	BD4743G		
	IC113	263 1079 903	BA033FP		
	IC501	262 3083 004	M5705		
	IC502	262 3084 003	SP-3721A		
	IC505	262 3085 905	TL3472		
	IC507	262 3086 001	W29EE011P-90		
	IC508	GEN 6439	FG5000 ROM ASS'Y	M11B416256A-35J	
	IC509	262 3088 902	BA5954FP		
	IC510	262 3089 901	BD6670FM		
	TR504,505	272 0160 901	2SB1132T100Q		
	D101	276 0401 905	1SS133T77 (TAPE)		
	D502-504	276 0401 905	1SS133T77 (TAPE)		
RESISTORS GROUP					
	RA501,502	247 9002 909	MNR14=330JE0AB		
	RA503-506	247 9007 904	MNR14=101JE0		
	RA507-510	247 9007 917	MNR14=103JE0		
	RA511	247 9002 909	MNR14=330JE0AB		
	RA514	247 9002 909	MNR14=330JE0AB		
	RA515	247 9007 917	MNR14=103JE0		
	RA516	247 9002 909	MNR14=330JE0AB		
	RA517	247 9007 917	MNR14=103JE0		
	RA518	247 9002 909	MNR14=330JE0AB		
CAPACITORS GROUP					
	C174	254 4299 964	CE04W1C470MT(SRE)		
	C185,186	257 0512 903	CK73F1E104ZT		
	C502	257 0509 929	CK73B1H102KT		
	C503	257 0510 950	CK73B1H682KT		
	C505,506	257 0508 917	CC73CH1H471JT		
	C507,508	257 0516 941	CK73B1E473KT		
	C509,510	257 0516 954	CK73B1E104KT		
	C511,512	257 0509 929	CK73B1H102KT		
	C513	257 0516 954	CK73B1E104KT		
	C516	257 0504 908	CC73CH1H220JT		
	C517	257 0504 982	CC73CH1H470JT		
	C518	257 0504 908	CC73CH1H220JT		
	C519	257 0512 903	CK73F1E104ZT		
	C520	254 4533 950	CE04W0J471MT SMG/RE3		
	C521-523	257 0516 954	CK73B1E104KT		
	C524	257 0504 982	CC73CH1H470JT		
	C525	257 0508 933	CC73CH1H561JT		

Ref.No.	Part No.	Part Name	Remarks	Q'ty	New
C526	257 0516 941	CK73B1E473KT			
C527	257 0512 903	CK73F1E104ZT			
C528	254 4300 963	CE04W0J101MT(SRE)			
C529	257 0508 959	CC73CH1E681JT			
C530	257 0516 954	CK73B1E104KT			
C531-534	257 0508 959	CC73CH1E681JT			
C535	257 0506 951	CC73CH1H101JT			
C536	254 4300 963	CE04W0J101MT(SRE)			
C537	257 0512 903	CK73F1E104ZT			
C538	254 4533 921	CE04W0J101MT SMG/RE3			
C539	257 0512 903	CK73F1E104ZT			
C540	257 0510 934	CK73B1H472KT			
C541	257 0509 929	CK73B1H102KT			
C543	257 0507 918	CC73CH1H181JT			
C544	257 0509 929	CK73B1H102KT			
C545	257 0516 954	CK73B1E104KT			
C546	257 0516 941	CK73B1E473KT			
C547	257 0508 959	CC73CH1E681JT			
C551-555	257 0516 954	CK73B1E104KT			
C558	257 0516 954	CK73B1E104KT			
C559	257 0512 903	CK73F1E104ZT			
C560	257 0033 903	CK73B1E474KT			
C561	257 0504 940	CC73CH1H330JT			
C568	257 0512 903	CK73F1E104ZT			
C569	257 0506 951	CC73CH1H101JT			
C570	257 0510 934	CK73B1H472KT			
C571,572	257 0506 951	CC73CH1H101JT			
C573,574	257 0516 954	CK73B1E104KT			
C575-577	257 0509 929	CK73B1H102KT			
C578	257 0516 954	CK73B1E104KT			
C579,580	257 0512 903	CK73F1E104ZT			
C581	254 4193 947	CE04W1C101MT (SRA)			
C582	254 4300 963	CE04W0J101MT(SRE)			
C583	254 4299 919	CE04W1C220MT(SRE)			
C584	257 0509 929	CK73B1H102KT			
C585	254 4300 963	CE04W0J101MT(SRE)			
C586	257 0509 929	CK73B1H102KT			
C587,588	257 0512 903	CK73F1E104ZT			
C589,590	257 0503 925	CC73CH1H100DT			
C592-595	257 0503 925	CC73CH1H100DT			
C596	257 0512 903	CK73F1E104ZT			
C598-608	257 0512 903	CK73F1E104ZT			
C610,611	257 0512 903	CK73F1E104ZT			
C612	254 4193 947	CE04W1C101MT (SRA)			
C613	254 4300 963	CE04W0J101MT(SRE)			
C614	257 0512 903	CK73F1E104ZT			
C615	254 4300 963	CE04W0J101MT(SRE)			
C616	257 0508 917	CC73CH1H471JT			
C617,618	257 0512 903	CK73F1E104ZT			
C619	254 4538 942	CE04W1C101MT SMG/RE3			
C620	257 0512 903	CK73F1E104ZT			
C621	254 4300 963	CE04W0J101MT(SRE)			
C622	257 0512 903	CK73F1E104ZT			
C623,624	254 4300 963	CE04W0J101MT(SRE)			
C625	257 0501 901	CK73B1H103KT (1608)			
C626	257 0510 934	CK73B1H472KT			

Ref.No.	Part No.	Part Name	Remarks	Q'ty	New
C627	254 4300 963	CE04W0J101MT(SRE)			
C628,629	257 0512 903	CK73F1E104ZT			
C632	254 4193 947	CE04W1C101MT (SRA)			
C633-640	257 0512 903	CK73F1E104ZT			
OTHER PARTS GROUP					
CX031	205 0355 033	3P KR CON BASE(L)			
CX042	205 0355 046	4P KR CON BASE(L)			
CX151	205 1224 901	15P FFC BASE(P=1.0)L			
CX241	205 1225 900	24P FFC BASE(P=0.5)L			
CX561	205 1231 004	IDE CONNECTOR(56P)			
FB501,502	235 0130 903	CHIP EMIFIL(11A121)			
FB632	235 0158 901	CHIP BEADS(18PG121)			
FB660-663	235 0158 901	CHIP BEADS(18PG121)			
X501	399 0790 906	CSALS33M8X51-A0			

GU-3546 DSP P.W.B. UNIT ASS'Y

Ref.No.	Part No.	Part Name	Remarks	Q'ty	New
SEMICONDUCTORS GROUP					
IC151	262 3139 000	TMP86CM47U-3RD2(AT)			
IC152	262 2642 909	SN74LV573APW-EL2			
IC153,154	262 2640 901	SN74LV245APW-EL2			
IC155	262 2517 908	SN74LV08APW-EL2			
IC157	262 2519 906	SN74LV00APW-EL2			
IC160	262 2519 906	SN74LV00APW-EL2			
IC161	262 2518 907	SN74LV74APW-EL2			
IC401	262 3115 008	ADSP-21065L(MP3)			
IC402	262 3307 007	128M SDRAM(32B TSOP)			*
IC404,405	262 2642 909	SN74LV573APW-EL2			
IC406	262 2729 903	SN74LV02APW-EL2			
IC407	262 2516 909	SN74LV32APW-EL2			
IC501	262 3044 001	MN102H730F			
IC502	GEN 6495	IC502 SYSTEM ROM SUB ASS'Y	8M FLASH MEMORY(70N)		
IC503	263 0913 905	PST600C TP			
IC504,505	262 2640 901	SN74LV245APW-EL2			
IC506	262 2518 907	SN74LV74APW-EL2			
IC507	262 2948 904	SN74LV86APW			
IC508	262 2959 906	SN74LV244APW			
IC509	262 3043 002	4M FLASH MEMORY(70N)			
IC510	262 2517 908	SN74LV08APW-EL2			
IC511	263 0615 902	BA15218F-DXE2			
IC512	262 3183 904	TA7291F			
IC513	262 2518 907	SN74LV74APW-EL2			
IC601	262 2515 900	SN74LV04APW-EL2			
IC602	262 2813 903	SN74AHCT08PW-EL2			
IC603	263 1079 903	BA033FP			
IC653	262 1953 903	TC7WU04F			
IC701	263 0615 902	BA15218F-DXE2			
IC706	262 1953 903	TC7WU04F			
IC708	262 2517 908	SN74LV08APW-EL2			*
IC709	262 3306 901	AK4353VF			*
IC710	262 3305 902	SN74LV393APW			*
TR501,502	269 0082 902	DTC114EKT96			
TR701,702	273 0460 905	KTC2875B-RTK			
TR709	269 0083 901	DTA114EKT96			
TR710,711	269 0082 902	DTC114EKT96			
TR712	269 0083 901	DTA114EKT96			
TR713	273 0437 909	2SC2411K-T146			
TR715	271 0260 905	2SA1036KT146(S/R)			
TR716	273 0460 905	KTC2875B-RTK			
D501	276 0559 909	DAP202KT146			
D601,602	276 0559 909	DAP202KT146			
D603,604	276 0560 901	DAN202KT146			
D651	276 0559 909	DAP202KT146			
D652	276 0560 901	DAN202KT146			
D701	276 0432 903	1SS270A TE (TAPE)			

Ref.No.	Part No.	Part Name	Remarks	Q'ty	New
CAPACITORS GROUP					
C151	257 0509 929	CK73B1H102KT			
C153,154	257 0512 903	CK73F1E104ZT			
C155	254 4302 958	CE04W1A470MT(SRE)			
C156-160	257 0512 903	CK73F1E104ZT			
C164	257 0512 903	CK73F1E104ZT			
C168	257 0512 903	CK73F1E104ZT			
C401,402	257 0512 903	CK73F1E104ZT			
C405-411	257 0512 903	CK73F1E104ZT			
C412	254 4302 958	CE04W1A470MT(SRE)			
C413-423	257 0512 903	CK73F1E104ZT			
C424	257 0509 929	CK73B1H102KT			
C425	254 4302 958	CE04W1A470MT(SRE)			
C430,431	257 0512 903	CK73F1E104ZT			
C432	254 4302 958	CE04W1A470MT(SRE)			
C433,434	257 0512 903	CK73F1E104ZT			
C436	254 4302 958	CE04W1A470MT(SRE)			
C441	257 0512 903	CK73F1E104ZT			
C442-444	257 0516 954	CK73B1E104KT			
C445	254 4299 964	CE04W1C470MT(SRE)			
C446	257 0516 954	CK73B1E104KT			
C501	257 0512 903	CK73F1E104ZT			
C502	254 4302 958	CE04W1A470MT(SRE)			
C503	257 0512 903	CK73F1E104ZT			
C504,505	257 0503 912	CC73CH1H9R0DT			
C506	257 0512 903	CK73F1E104ZT			
C507	257 0506 951	CC73CH1H101JT			
C508,509	254 4302 958	CE04W1A470MT(SRE)			
C510,511	257 0512 903	CK73F1E104ZT			
C512	254 4302 958	CE04W1A470MT(SRE)			
C513	257 0512 903	CK73F1E104ZT			
C514	254 4302 958	CE04W1A470MT(SRE)			
C515	254 4299 906	CE04W1C100MT(SRE)			
C516	257 0509 929	CK73B1H102KT			
C517-522	257 0512 903	CK73F1E104ZT			
C523	254 4302 958	CE04W1A470MT(SRE)			
C524	257 0512 903	CK73F1E104ZT			
C525	257 0501 901	CK73B1H103KT (1608)			
C526	257 0512 903	CK73F1E104ZT			
C529	254 4299 964	CE04W1C470MT(SRE)			
C530-532	257 0512 903	CK73F1E104ZT			
C534	254 4538 942	CE04W1C101MT SMG/RE3			
C601-603	257 0512 903	CK73F1E104ZT			
C604	254 4302 974	CE04W1A101MT(SRE)			
C605	257 0512 903	CK73F1E104ZT			
C606	254 4302 974	CE04W1A101MT(SRE)			
C607,608	257 0512 903	CK73F1E104ZT			
C609-614	257 0508 917	CC73CH1H471JT			
C615	257 0512 903	CK73F1E104ZT			
C621,622	254 4538 939	CE04W1C470MT SMG/RE3			
C623,624	254 4305 968	CE04W1H010MT(SRE)			
C659,660	257 0508 917	CC73CH1H471JT			
C663	257 0509 929	CK73B1H102KT			
C664	254 4536 928	CE04W1A101MT SMG/RE3			
C665	257 0501 901	CK73B1H103KT (1608)			
C666	257 0512 903	CK73F1E104ZT			

Ref.No.	Part No.	Part Name	Remarks	Q'ty	New
C667	254 4254 925	CE04W1C330MT (SME)			
C668	257 0501 901	CK73B1H103KT (1608)			
C671	257 0501 901	CK73B1H103KT (1608)			
C672	257 0512 903	CK73F1E104ZT			
C674	257 0512 903	CK73F1E104ZT			
C701,702	254 4538 900	CE04W1C100MT SMG/RE3			
C703,704	257 0503 925	CC73CH1H100DT			
C705,706	257 0512 903	CK73F1E104ZT			
C707,708	254 4541 900	CE04W1E100MT SMG/RE3			
C709,710	257 0509 929	CK73B1H102KT			
C740,741	254 4299 964	CE04W1C470MT(SRE)			
C748,749	257 0504 908	CC73CH1H220JT			
C750	257 0511 904	CK73F1H103ZT			
C751	257 0512 903	CK73F1E104ZT			
C752	257 0509 929	CK73B1H102KT			
C753	254 4302 958	CE04W1A470MT(SRE)			
C754	257 0512 903	CK73F1E104ZT			
C773	257 0508 917	CC73CH1H471JT			
C775,776	257 0509 961	CK73B1H152KT			
C786,787	257 0508 917	CC73CH1H471JT			
C790-792	257 0516 954	CK73B1E104KT			
C793,794	254 4538 900	CE04W1C100MT SMG/RE3			
C795	257 0516 954	CK73B1E104KT			
C796	254 4538 900	CE04W1C100MT SMG/RE3			
C797	257 0506 951	CC73CH1H101JT			
OTHER PARTS GROUP					
CX031	205 0343 032	3P CONN.BASE(KR-PH)			
CX041	205 0343 045	4P CONN.BASE(KR-PH)			
CX042	205 0321 041	4P CONNE.BASE(RED)			
CX101	205 0375 000	10P CON.BASE(KR-PH)			
CX111	205 0375 013	11P CON.BASE(KR-PH)			
CX401	205 0429 024	40P PIN HEADER			
FB601-603	235 0130 903	CHIP EMIFIL(11A121)			
FB651	235 0130 903	CHIP EMIFIL(11A121)			
JK601,602	204 8421 005	MINI JACK			
JK603	204 8664 008	3P PIN JACK			
JK604	204 8421 005	MINI JACK			
T651	231 8063 009	PULSE TRANS			
X151	399 0801 905	CSTCE8M00G52-RO			
X501	399 0794 009	X'TAL (32.00M)			
X701	399 0907 003	X'TAL(11.2896MHZ)			*

GU-3547 PANEL P.W.B. UNIT ASS'Y

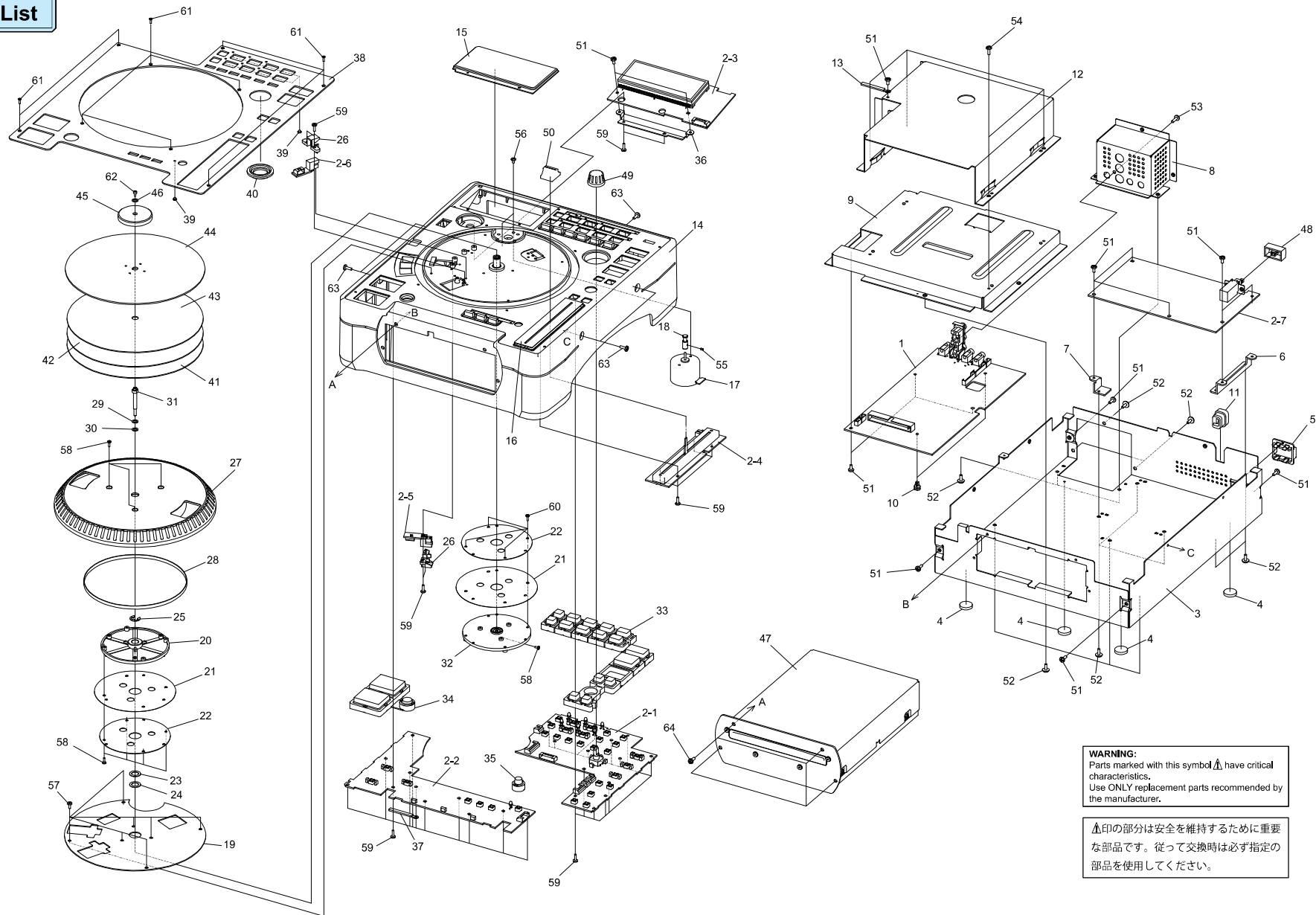
Ref.No.	Part No.	Part Name	Remarks	Q'ty	New
SEMICONDUCTORS GROUP					
IC101	262 3048 007	ML9207-01GP			
IC102	262 3314 003	TMP86CM47U-4V14(PN3)			*
IC251,252	269 0203 008	GP1A70R			
IC901	265 0112 003	STR-F6674			
IC902	262 3047 008	PC123 Y-22			
IC903	263 1113 005	SE005N			
TR101,102	271 0260 905	2SA1036KT146(S/R)			
TR104-107	269 0083 901	DTA114EKT96			
TR201-203	269 0083 901	DTA114EKT96			
D101-104	276 0559 909	DAP202KT146			
D901	276 0767 005	RBV-406			
D902	276 0730 906	AG01ZT (V1)			
D904-906	276 0730 906	AG01ZT (V1)			
D908	276 0784 004	FMB-G14			
D909	276 0786 002	RN1Z			
D910	276 0787 001	RN2Z			
D911	276 0788 000	RN3Z			
D912	276 0769 003	RK-44			
D913	276 0785 906	AW04			
D914,915	276 0559 909	DAP202KT146			
ZD901	276 0760 989	MTZJ7.5B T77			
ZD902	276 0760 905	MTZJ3.6B T77			
LD101,102	393 9620 901	SMLU79423C(TP15)			
LD103-106	393 9604 901	SEL6227S(TP5)			
LD201	393 9608 907	SLR342MC(TB7)			
LD202,203	393 9604 901	SEL6227S(TP5)			
LD204,205	393 9605 900	SEL6427EP(TP5)			
LD206,207	393 9633 008	SELU1250CM(RED)			
LD208-210	393 9605 900	SEL6427EP(TP5)			
LD217	393 9605 900	SEL6427EP(TP5)			
LD218	393 9606 909	SEL6927A(TP5)			
LD253	393 9606 909	SEL6927A(TP5)			
LD254	393 9608 907	SLR342MC(TB7)			
LD256-258	393 9608 907	SLR342MC(TB7)			
LD259,260	393 9607 908	SLR342VC(TB7)			
TH901	279 0044 002	NTH11D8R0LA			
RESISTORS GROUP					
R901	244 2675 716	RS14B3D683JNBF (ERG)			
R902	244 2671 956	RS14B3DR47JNBST(S)			
R911	244 2675 716	RS14B3D683JNBF (ERG)	for E2		
VR251	211 5648 119	SLIDE VOLUME (100MM)			

	Ref.No.	Part No.	Part Name	Remarks	Q'ty	New
CAPACITORS GROUP						
	C101,102	257 0509 929	CK73B1H102KT			
	C103-105	257 0512 903	CK73F1E104ZT			
	C106	257 0511 904	CK73F1H103ZT			
	C107	254 4193 947	CE04W1C101MT (SRA)			
	C108	257 0512 903	CK73F1E104ZT			
	C110	254 4302 958	CE04W1A470MT(SRE)			
	C111	257 0512 903	CK73F1E104ZT			
	C112	257 0501 901	CK73B1H103KT (1608)			
	C113	257 0512 903	CK73F1E104ZT			
	C114	257 0501 901	CK73B1H103KT (1608)			
	C116,117	257 0512 903	CK73F1E104ZT			
	C123-126	257 0511 920	CK73F1H473ZT			
	C127	257 0512 903	CK73F1E104ZT			
	C128	257 0511 904	CK73F1H103ZT			
	C129	257 0512 903	CK73F1E104ZT			
	C130	257 0511 904	CK73F1H103ZT			
	C131	257 0512 903	CK73F1E104ZT			
	C132	257 0511 904	CK73F1H103ZT			
	C133	257 0512 903	CK73F1E104ZT			
	C134	257 0511 904	CK73F1H103ZT			
	C135	257 0512 903	CK73F1E104ZT			
	C140,141	257 0511 904	CK73F1H103ZT			
	C143	257 0512 903	CK73F1E104ZT			
	C144	257 0511 904	CK73F1H103ZT			
	C201	257 0512 903	CK73F1E104ZT			
	C202	254 4302 958	CE04W1A470MT(SRE)			
	C204	257 0512 903	CK73F1E104ZT			
	C205	257 0511 904	CK73F1H103ZT			
	C206	257 0512 903	CK73F1E104ZT			
	C207	257 0511 904	CK73F1H103ZT			
	C208-212	257 0512 903	CK73F1E104ZT			
	C251	257 0512 903	CK73F1E104ZT			
	C254,255	257 0512 903	CK73F1E104ZT			
⚠	C261	253 8022 707	CK45F2EAC103MC			
⚠	C902	256 8038 017	CF99--2EAC224M			
⚠	C903	256 8038 004	CF99--2EAC104M			
	C904	254 4633 708	CE04W2D151MC(KMH)22S	for E3,JP		
	C904	254 4616 712	CE04W2G151MC(KMH)25C	for E2		
	C905	253 4546 724	CC45SL3D561JC			
	C906	253 4452 902	CC45SL1H471JT			
	C907	253 9030 963	CK45=1E103KT			
	C908	254 4423 905	CE04W1V470MT(KMG)			
⚠	C910	253 8029 700	CK45F2EAC222MC (KX)			
	C910	415 0866 006	CONDENSER COVER			
	C911	253 1118 906	CK45B1H332KT			
	C912	253 4546 724	CC45SL3D561JC			
	C913	254 4629 709	CE04W1C152MC(LXV)K25			
	C914	254 4632 709	CE04W1H471MC(LXV)K25			
	C915	254 4630 905	CE04W1E820MT(LXV)F11			
	C916	253 9031 904	CK45=1E473KT			
	C917	254 4628 904	CE04W1C331MT(LXV)H15			
	C918	254 4631 700	CE04W1E222MC(LXV)K40			
	C919	254 4538 939	CE04W1C470MT SMG/RE3			
	C922	254 4539 705	CE04W1C102MC SMG/RE3			
⚠	C923	253 8029 700	CK45F2EAC222MC (KX)			

	Ref.No.	Part No.	Part Name	Remarks	Q'ty	New
OTHER PARTS GROUP						
	CW031	203 5280 039	3P KR-DS CONN.CORD			
	CW041	203 6393 048	4P KR-DS CON CORD			
	CW042	203 6393 022	4P KR-DS CON CORD			
	CW091	204 2464 013	9P KR-DS CONN.CORD			
	CW092	204 2464 026	9P KR-DS CONN.CORD			
	CW101	204 2412 049	10P KR-DS CONNE.CORD			
	CX021	205 0581 001	2P VH CONNECTOR BASE			
	CX042	205 0355 046	4P KR CON BASE(L)			
	CX091,092	205 0355 091	9P KR CON BASE(L)			
	CX911	205 0375 013	11P CON.BASE(KR-PH)			
	CX941	205 0653 049	4P VH CON.BASE			
⚠	F901	206 1087 015	FUSE (ET1A)	for E3		
⚠	F901	206 1087 028	FUSE (ET2A)	for E2		
⚠	F901	206 1053 007	FUSE 1.0 A	for JP		
	FB901	235 0049 900	BEADS INDUCTOR TAPE			
	FF901	202 0040 909	FUSE CLIP (TAPE)			
	FH901	202 0040 909	FUSE CLIP (TAPE)			
	FL101	393 8063 006	FLT(24-ST-09GN)			
	L901	235 0157 009	PLA10AN7720R7D2B			
	L902	235 0156 903	COIL LHL10TB220KT			
	S101-109	212 5604 907	TACT SWITCH-TA(ALPS)			
	S111-120	212 5604 907	TACT SWITCH-TA(ALPS)			
	S122-124	212 5604 907	TACT SWITCH-TA(ALPS)			
	S140	212 0410 002	ROTARY ENCODER-JOG			
	S201-207	212 5604 907	TACT SWITCH-TA(ALPS)			
⚠	S261	212 1176 015	POWER SWITCH(TV-5)			
⚠	T901	233 0654 001	SW TRANSFORMER			
	X101	399 0661 909	CSTS4.00MG06			
	X102	399 0805 901	CSTLS16MOX53-A0			
	AS901	417 0610 009	HEAT SINK(OSH-2430)			
		471 3305 027	3X10 CBS			
		415 0299 000	CONDENSER COVER	for E2, for C261		
		GEN 6256 -2	FUSE LABEL SUB ASS'Y	for E2, for F901		
		GEN 6256 -4	FUSE LABEL SUB ASS'Y	for JP, for F901		

EXPLODED VIEW

Parts List






PARTS LIST OF EXPLODED VIEW

*本表に記載されている部品は、補修用部品のため製品に使用している部品とは一部、形状、寸法などが異なる場合があります。

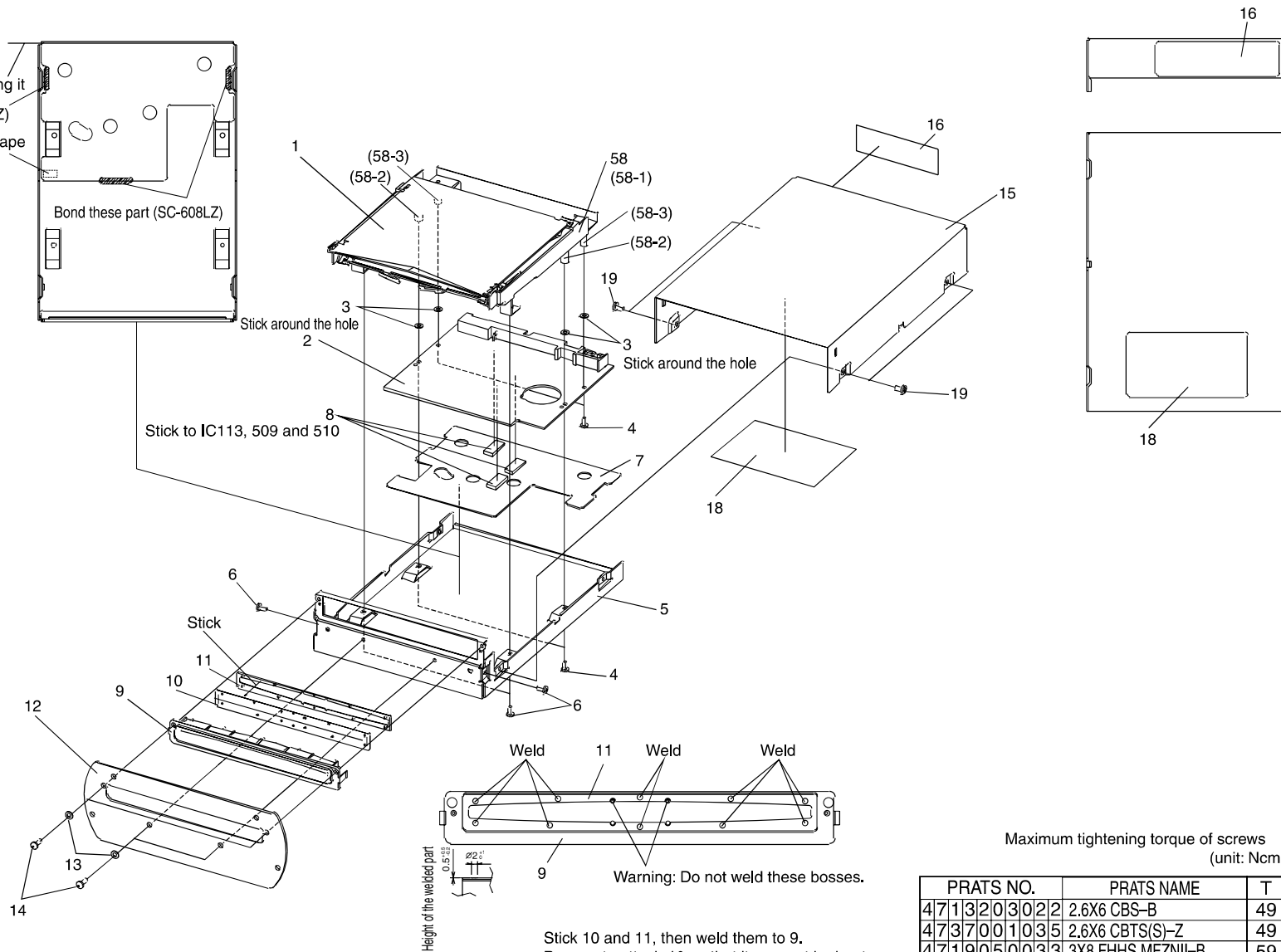
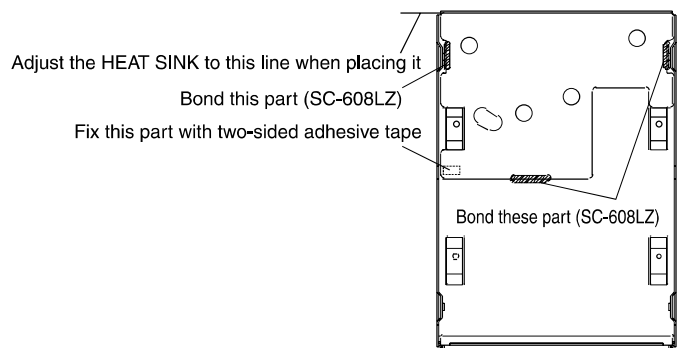
Note: The symbols in the column "Remarks" indicate the following destinations.
 E3: U.S.A. & Canada model E2: Europe model
 JP: Japan model

Ref.No.	Part No.	Part Name	Remarks	Q'ty	New
1	GU-3546	DSP PWB UNIT		1	*
2	GU-3547	PANEL PWB UNIT		1	*
2-1		PANEL UNIT			
2-2		PANEL2 UNIT			
2-3		FLT UNIT			
2-4		SLIDE VR UNIT			
2-5		DISC SENSOR UNIT			
2-6		TABLE SENSOR UNIT			
2-7		POWER UNIT			
3	411 2027 210	CHASSIS		1	
4	461 0706 127	FOOT SHEET		4	
5	146 2302 002	P.SW KNOB GUIDE		1	
6	412 4921 003	PWB BRACKET		1	
7	412 5003 001	PWB SUPPORT		3	
8	412 5050 009	JACK BRACKET		1	*
9	412 5005 009	MAIN BRACKET		1	
10	412 2814 031	CARD SPACER (L=4)		2	
11	445 0084 009	CORD BUSH	for E3	1	
11	445 0056 008	CORD BUSH	for E2,JP	1	
12	412 5006 008	MECHA COVER		1	
13	445 0048 003	CORD HOLDER (L76)		1	
14	146 2303 218	INNER COVER ASS'Y		1	*
15	146 2305 119	WINDOW		1	*
16	146 2325 005	FADER PLATE		1	*
17	217 0181 006	LOADING MOTOR		1	
18	422 0670 106	MOTOR PULLY		1	
19	441 1974 006	BASE PLATE		1	
20	421 0798 001	PLATTER HOLDER		1	
21	421 0799 107	SCALE DISK		2	
22	441 1975 005	DISK FIX PLATE		2	
23	475 1187 003	WASHER 13/8.2		1	
24	475 1161 058	WASHER 8.2/12		1	
25	476 1006 006	6 E RING ZNP		1	
26	443 1573 005	S.COVER (GP1A70R)		2	
27	421 0815 007	PLATTER		1	*
28	423 0079 108	BELT		1	
29	475 1187 016	WASHER 7/4.1		1	
30	475 1161 016	WASHER		1	
31	422 0669 308	DISC HOLDER SHAFT		1	
32	421 0801 105	WHEEL ASS'Y		1	
33	119 0124 109	R.KEY (FUNCTION)		1	*
34	119 0119 305	R.KEY (PLAY/PAUSE)		1	
35	119 0120 103	R.KEY (PITCH)		1	
36	412 5007 007	FL BRACKET		1	
37	445 8028 009	CORD HOLDER		1	
38	144 2843 109	TOP PANEL		1	*
39	143 1163 007	LENS		7	
40	146 2306 008	KNOB (MARU) LENS		1	
41	421 0810 002	ANTI-STATIC SHEET		1	
42	421 0809 000	SLIP SHEET		1	
43	421 0802 007	SLIP MAT		1	

	Ref.No.	Part No.	Part Name	Remarks	Q'ty	New
	44	421 0803 307	SLIP DISC		1	
	45	421 0820 005	STABILIZER (A)		1	*
	46	475 1187 029	WASHER 5/2.2		1	
	47	FG5 000	DRIVE UNIT		1	
	48	113 1689 001	P.SW KNOB		1	
	49	112 0902 016	KNOB (MARU)		1	*
	50	113 1951 014	FADER KNOB		1	*
	★ 71	204 6752 019	40P FLAT CABLE	CX401	1	
  	★ 72	203 6577 026	4P LC-VH CON.CORD	CX941	1	
	★ 73	206 2155 001	AC CORD W/CON.E3	for E3	1	
	★ 73	206 2089 106	AC CORD W/CON.E2	for E2	1	
	★ 73	206 2085 003	AC CORD W/CON.DOM	for JP	1	
	★ 74	203 6596 007	4P PH CON CORD		1	
	★ 75	445 0033 005	WIRE CLAMP BAND		2	
	★ 76	204 6307 037	11P KR-KR CON.CORD	CW911	1	
	★ 77	342 0027 000	FERRITE CORE		1	
	★ 78	415 0790 062	UL TUBE (14.3) BK	for E2,JP, for AC cord	1	
	★ 79	513 3870 021	RATING SHEET (E3)	for E3	1	*
	★ 79	513 3870 034	RATING SHEET (E2)	for E2	1	*
	★ 79	513 3906 018	RATING SHEET (J)	for JP	1	*
	★ 80	513 2303 007	VERSION LABEL		1	
	★ 81	513 1519 009	MANUFAC.DATE LABEL	for E3	1	
	★ 81	513 0985 003	INST LABEL	for E2	1	
	★ 82	513 3776 002	E3 LABEL	for E3	1	
	★ 82	513 2521 009	CE LABEL	for E2	1	
	★ 83	513 3384 009	C-UL MARK US (813)	for E3	1	
	★ 83	513 3253 004	C-TICK LABEL	for E2	1	
	★ 84	513 3159 001	FCC/CLASS B CAUTION	for E3	1	
SCREWS						
	51	473 7002 005	3X6 CBTS(S)-Z		15	
	52	473 8007 083	3X8 CUP SCREW		14	
	53	473 7500 044	3X8 CBTS (P)-B		1	
	54	473 7015 005	3X6 CBTS(S)-B		4	
	55	474 4300 004	2.6X4 BSS (A)		1	
	56	471 3202 010	2.6X5 CBS		2	
	57	473 7505 010	2.6X6 CBTS (P)-Z		7	
	58	471 3103 012	2X6 CBS		8	
	59	473 7505 007	2.6X8 CBTS (P)-Z		34	
	60	473 7506 022	2X6 CBTS(P)-B		4	
	61	473 8087 003	2X6 CFTS(B)-B		9	
	62	475 5122 006	2X4 HSHB		1	
	63	473 7002 021	3X8 CBTS (S)-B		5	
	64	471 1832 013	M3-SEMS SCREW(6W)		4	

EXPLODED VIEW OF CD DRIVE UNIT (FG-5000)

Parts List



Maximum tightening torque of screws
 (unit: Ncm)

PRATS NO.	PRATS NAME	T
4713203022	2.6X6 CBS-B	49
4737001035	2.6X6 CBTS(S)-Z	49
4719050033	3X8 FHHS MFZNI-B	59
4737002005	3X6 CBTS(S)-Z	108

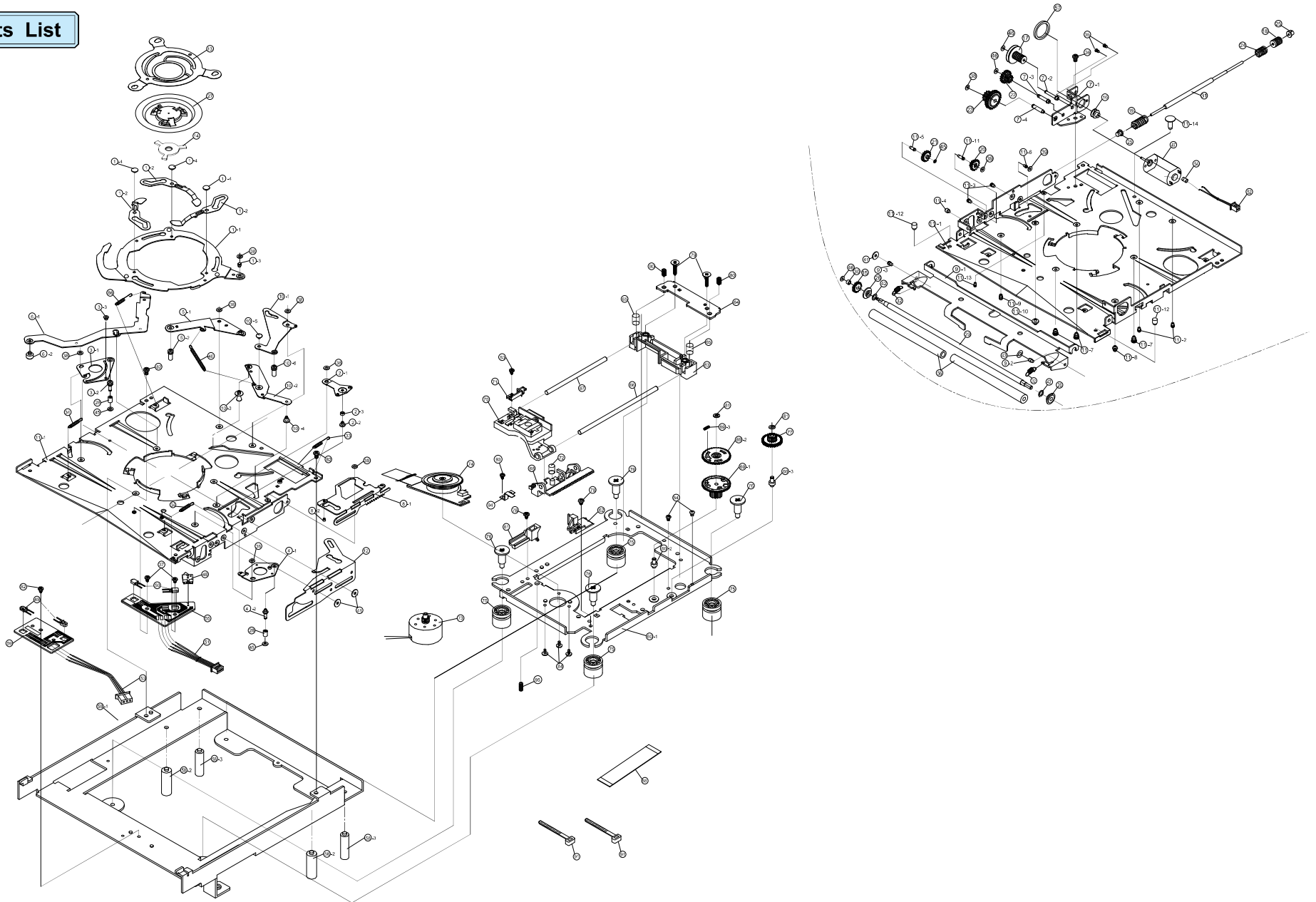
PARTS LIST OF CD DRIVE UNIT (FG-5000)

*本表に記載されている部品は、補修用部品のため製品に使用している部品とは一部、形状、寸法などが異なる場合があります。

Ref.No.	Part No.	Part Name	Remarks	Q'ty	New
1	9KA 2A49 6A	CD MECHA ASS'Y	TD-S202H2D	1	
2	GU-3414A	CD-ROM PWB UNIT		1	
3	415 0900 001	PROTECT SHEET		4	
5	412 4997 008	DRIVE BRACKET		1	
7	-	HEAT SINK		1	
8	9KC 2G03 9A	HEAT PAD		3	
9	146 2296 309	DISC GUIDE		1	
10	415 0897 004	BLIND SHEET		1	
11	415 0898 003	FIX PLATE		1	
12	144 2816 107	DRIVE PANEL		1	
15	102 0657 018	DRIVE COVER		1	
16	513 3797 007	CONNECT LABEL		1	
18	513 3826 004	E2 LASER CAUTION		1	
58	441 1972 202	MAIN BASE ASS'Y		1	
58-1	-	MAIN BASE		1	
58-2	-	PWB SHAFT		2	
58-3	-	PWB SHAFT		2	
SCREWS					
4	471 3203 022	2.6X6 CBS-B		4	
6	473 7001 035	2.6X6 CBTS (S)-Z		4	
13	475 1178 009	3W-B		4	
14	471 9050 033	3X8 FHHS MFZNII-B		4	
19	473 7002 005	3X6 CBTS(S)-Z		4	

EXPLODED VIEW OF CD MECHANISM

Parts List



PARTS LIST OF CD MECHANISM UNIT (TD-S202SA(D))

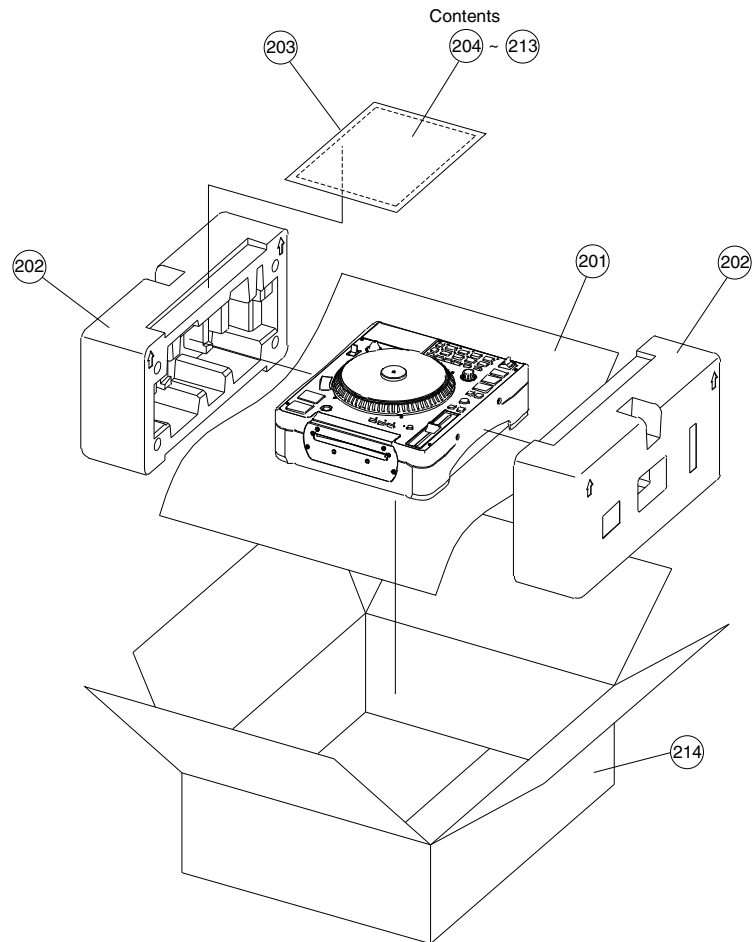
*本表に記載されている部品は、補修用部品のため製品に使用している部品とは一部、形状、寸法などが異なる場合があります。

Ref. No.	Part No.	Part Name	Remarks	Q'ty	New	Ref. No.	Part No.	Part Name	Remarks	Q'ty	New
1	9KC 8A00 1	CLAMPER-PLATE ASSY		(1)		20	9KC 8G00 6	GEAR-LOAD-A		1	
1-1		CLAMPER-PLATE		1		21	9KC 8G00 7	IDLE-GEAR-ROLLER		1	
1-2		LIFTER-CAM		3		22	9KC 8G00 8	CHUCK-GEAR-A		1	
1-3		CL-PLATE-SFT		1		23	9KC 8G00 9	CHUCK-GEAR-B		1	
1-4		LIFTER-CAM-SFT		3		24	9KC 8G01 0	WORM-CHUCK		1	
2	9KC 8A00 2	TIMING-LEVER ASSY		(1)		25	9KC 8G01 1	SHAFT-CAP		2	
2-1		TIMING-LEVER		1		26	9KC 8G01 2	BERRING-ROLLER		2	
2-2		T-LEVER-SHAFT		1		27	9KC 8G01 3	CLAMPER		1	
2-3		T-LEVER-COLOR		1		28	9KC 8G01 4	DISC-OPEN-COLOR		2	
3	9KC 8A00 3	D-G-LEVER-L ASSY		(1)		29	9KC 8H02 8	ROLLER-SHAFT		1	
3-1		D-GUIDE-LEVER-L		1		30	9KC 8H02 9	ROLLER-COLOR		1	
3-2		DISC-OPEN-SFT-L		1		31	9KC 8H03 0	WORM-SHAFT		1	
3-3		CLP-GUIDE-SFT		1		32	9KC 8S00 6	ROLLER-SPRING		2	
4	9KC 8A00 4	D-G-LEVER-R ASSY		(1)		33	9KC 8S00 8	LEVER-SPRING		1	
4-1		D-GUIDE-LEVER-R		1		34	9KC 8S00 5	D-GUIDE-SP		2	
4-2		DISC-OPEN-SFT-R		1		38	9KP 16C3 25	PSW1.6X3.5X0.25C(BLACK)		7	
5	9KC 8A00 5	LINK-LEVER-L ASSY		(1)		39	9KP 12CR 32	PSW1.2X3.2X0.25C(RED)		3	
5-1		LINK-LEVER-L		1		40	9KC 8S00 7	C-LEVER-SPRING		1	
5-2		D-SELECT-SHAFT		1		41	9KP 16C5 04	PSW1.6X5X0.4C(BLACK)		3	
6	9KC 8A00 6	D-SELECT-LEVER ASSY		(1)		42	9KP 22W4 13	PSW2.2X4X0.13		2	
6-1		DISC-SELECT-LEVER		1		43	9KC 8P02 9	SPRING-WASHER		1	
6-2		D-SELECT-SFT-A		1		45	9KP 12C2 02	PSW1.2X2.0X0.25C		3	
7	9KC 8A00 7	GEAR-BASE ASSY		(1)		46	9KP 12C4 04	PSW1.2X4X0.4C		3	
7-1		GEAR-BASE		1		47	9KM 01T2 78	M1N10FB10K	MATSUSHITA	1	
7-2		TWIN-GEAR-SHAFT		1		48	9KS 01W2 05	ESE22MH23	MATSUSHITA	1	
7-3		C-GEAR-A-SHAFT		1		49	9KE 01L9 76	PT4800		2	
7-4		C-GEAR-B-SHAFT		1		50	9KE 01L9 75	GL4800	SHARP	2	
8	9KC 8A00 8	RACK-PLATE ASSY		(1)		51	9KC 8G03 6	CNW4P-TL-S		1	
8-1		RACK-PLATE		1		52	9KC 8G03 4	CNW2P-TL-S		1	
8-2		RACK-PLATE-SHAFT		1		53	9KC 8G03 5	CNW3P-TL-S		1	
9	9KC 8A00 9	ROLLER-BASE ASSY		(1)		54	9KC 5G02 2	∅2.5X3 TUBE(BLACK)		1	
9-1		ROLLER-BASE		1		55	9KC 8P01 7	SW-PCB		1	
9-2		R-B-SHAFT-L		1		56	9KC 8G03 2	ROLLER		2	
9-3		R-B-SHAFT-R		1		57	9KC 8G01 7	LOADING BELT-L		1	
10	9KC 8A01 0	LINK-CHANGE ASSY		(1)		58	9KA 2A47 9	MAIN BASE ASSY		(1)	*
10-1		LINK-LEVER-R		1		58-1		MAIN BASE		1	
10-2		CHANGE-LEVER		1		58-2		PWB SHAFT		2	
10-3		C-LEVER-SFT-A		1		58-3		PWB SHAFT		2	
10-4		C-LEVER-SFT-B		1		59	9KC 8P01 9	SENSOR-PCB		1	
10-5		C-LEVER-SFT-C		1			9KC 7A00 7A	TRAVERSE UNIT(FEED)ASSY	60-74,77-81, 83,84,93-95Assy	(1)	
10-6		D-SELECT-SHAFT		1			9KC 7A00 8A	TRAVERSE UNIT ASSY	60-72,74,77-81, 83,84,93-95Assy	(1)	
11	9KC 8A01 5	LOADER-BASE ASSY		(1)		60		CHASSIS-PU-TDT ASSY		(1)	
11-1		LOADER-BASE		1		60-1		CHASSIS-PU-TDT		1	
11-2		LEVER-SHAFT		2		60-2		SFT-G-2ND-84M		1	
11-3		CAM-SHAFT		2		60-3		SFT-G-3RD-2MP		1	
11-4		CAM-GUIDE-SFT		1		61		HLD-SFT-L-84H		1	
11-5		ROLLER-GEAR-SFT		1		62		HLD-SFT-R-84H		1	
11-6		L-P-GUIDE-SFT-A		1		63		BASE TILT-84H		1	
11-7		CLAMP-GUIDE-SFT		3		64		PLATE TILT-84H		1	
11-8		D-G-A-SHAFT-L		1		65		TILT SP		2	
11-9		D-G-A-SHAFT-R		1		66		RAIL		1	
11-10		TIMING-LVR-SFT-N		1		67		S-GUIDE BAR-84H		1	
11-11		GEAR-LOAD-SFT		1		68		RACK PU-84H		1	
11-12		D-G-SHAFT		2		69		GEAR 2ND ASSY		(1)	
11-13		L-P-GUIDE-SFT-B		1		69-1		GEAR 2nd(A)		1	
11-14		EJECT-GUIDE-SFT		1		69-2		GEAR 2nd(B)		1	
12	9KC 8P01 4	CAM-R		1		69-3		SPG GEAR 2ND		1	
13	9KC 8P01 5	CLAMPER-TOP		1		70		PICK UP HOP-1200R		1	
14	9KC 8P01 6	CLAMPER-YOKE		1		71		SPG PICK-84H		1	
15	9KC 8G00 1	ROLLER-GEAR		1		72		SPG RACK-84H		1	
16	9KC 8G00 2	MOTOR-PULLY		1		73		MOTOR FEED-2HP ASSY		(1)	
17	9KC 8G00 3	PULLY-GEAR		1		73-1		MDN3BL4FPQ		1	
18	9KC 8G00 4	HERICAL-GEAR		1		73-2		GEAR 1ST 2MP		1	
19	9KC 8G00 5	WORM-LOAD		1		73-3		PSW1.95X3.5X0.25		1	

Ref. No.	Part No.	Part Name	Remarks	Q'ty	New
74		T/T MOTOR ASSY		(1)	
74-1		TABLE-M32		1	
74-2		MAGNET-M32		1	
74-3		RUBBER-M32		1	
74-4		BACK YOKE-M32		1	
74-5		T.T BUSH-SLOT-NI		1	
74-6		BML5E7CRS		1	
75	9KC 2G08 3	DAMPER IDLE		4	
76	9KC 1H01 1	SCW-DAMPER		4	
77		GEAR 3rd 2MP		1	
81		PSW2.1X4X0.25C		2	
86	9KC 8S00 9	LEVER-SPRING-S		1	
88	9KC 2P11 4	FFC-0.5-24P L60		1	
91	9KM 01N1 22	NYLON BAND 80		2	
94		SPRING-RAIL-84H		1	

Ref. No.	Part No.	Part Name	Remarks	Q'ty	New
SCREWS					
35	9KS 14N1 02	M1.4X2 PRECISION SCREW	TYPE-1	2	
36	9KS 20N3 03	M2X3 PRECISION SCREW	TYPE-3	1	
37	9KS 17N0 15	M1.7X1.5 PRECISION SCREW	TYPE-3	2	
78	9KB 26TK 06	M2.6X6 SCREW	S	2	
79	9KH 26TK 15	M2.6X15 SCREW	S	2	
80	9KB 7H00 8	M3X4 SCREW		2	
82	9KB 20TK 04	M2X4 SCREW	S	3	
83	9KS 17B3 05	M1.7X5 PRECISION SCREW	B TYPE-3	1	
84	9KS 17N0 22	M1.7X2.2 PRECISION SCREW	TYPE-3	5	
93	9KB 26TK 04	M2.6X4 SCREW	S	1	
95	9KC 2H00 4	M3X8 HEXAGON S. S. SCREW		1	

PACKING VIEW



PARTS LIST OF PACKING & ACCESSORIES

*本表に記載されている部品は、補修用部品のため製品に使用している部品とは一部、形状、寸法などが異なる場合があります。

Note: The symbols in the column "Remarks" indicate the following destinations.

E3: U.S.A. & Canada model

E2: Europe model

JP: Japan model

Ref.No.	Part No.	Part Name	Remarks	Q'ty	New
201	505 0350 019	STYLEN PAPER		1	
202	503 1448 005	CUSHION		2	
203	505 0038 030	POLY COVER		1	
204	515 0945 007	WARRANTY (COM.)	for E3	1	
205	511 4086 009	INST. MANUAL	for E3,E2	1	*
205	511 4111 000	INST. MANUAL (J)	for JP	1	*
206	515 0923 207	S.S.LIST COM.(EX)	for E3,E2	1	
206	515 0918 102	SERVICE STATION LIST	for JP	1	
207	203 2360 004	2P PIN CORD		1	
208	505 8006 006	ENVELOPE		2	
209	421 0819 003	ADAPTOR		1	*
210	473 7507 021	2X4 CBTS-(P)-B		3	
211	423 0079 108	BELT		1	
212	529 0128 001	HEXAGON WRENCH		1	
213	475 1187 029	WASHER 5/2.2		1	
214	501 2179 076	CARTON CASE		1	*
★ 215	-	CONTROL CARD		2	
★ 216	-	BAR CODE LABEL		1	
★ 216	998 0005 304	POS LABEL	for JP	1	*
★ 217	GEN 6377	RECYCLING LABEL	for JP	1	
★ 218	515 0919 004	GUARANTEE CARD(S)	for JP	1	