

PARTS LIST OF P.W.B. UNIT

* 本表に記載されている部品は、補修用部品のため製品に使用している部品とは一部、形状、寸法などが異なる場合があります。

* The parts listed below are for maintenance only, might differ from the parts used in the unit in appearances or dimensions.

* "nsp" 印の部品は常時在庫していませんので供給に長時間を要することがあります。場合によっては、供給をお断りする場合があります。

* Part indicated with the mark "nsp" are not always in stock and possibly to take a long period of time for supplying, or in some case supplying of part may be refused.

Note: The symbols in the column "Remarks" indicate the following destinations.

E3 : U.S.A. & Canada model

E2 : Europe model

00DGU-3778 PANEL P.W.B. UNIT ASS'Y

Ref. No.	nsp	Part No.	Part Name	Remarks	Q'ty	New
SEMICONDUCTORS GROUP						
IC701		00D 262 2953 915	SN74HCT138APW			
IC702		00D 262 3694 901	SN74LV165APW			
IC703		00M HC1 0478 05Z	TC74LVX4052FT(EL)			
IC704		00D 262 3690 905	TB62725BFNG			
IC705		00D 262 2557 900	SN74LV14APW-EL2 +REF			
IC706		00D 262 3691 904	B6TS-04LT			
IC707		00D 269 0226 001	GP1A038RBK			
IC801		00D 262 3691 904	B6TS-04LT			
IC802		00D 262 3694 901	SN74LV165APW			
IC803		00D 262 2953 915	SN74HCT138APW			
IC804		00M HC1 0478 05Z	TC74LVX4052FT(EL)			
IC805		00D 262 3690 905	TB62725BFNG			
IC806		00D 262 2557 900	SN74LV14APW-EL2 +REF			
IC807		00D 269 0226 001	GP1A038RBK			
TR701-708 TR801-808		00D 271 0260 905 00D 271 0260 905	2SA1036KT146(S/R) +C 2SA1036KT146(S/R) +C			
D701-719		00D 276 0560 901	DAN202KT146 +C			
D801-819		00D 276 0560 901	DAN202KT146 +C			
LD701		00D 393 9608 907	SLR342MC(TB7)			
LD702		00D 393 9604 901	SEL6227S(TP5)			
LD703		00D 393 9605 900	SEL6427EP(TP5)			
LD704		00D 393 9606 909	SEL6927A(TP5)			
LD706		00D 393 9604 901	SEL6227S(TP5)			
LD707		00D 393 9606 909	SEL6927A(TP5)			
LD708		00D 393 9605 900	SEL6427EP(TP5)			
LD709,710		00D 393 9606 909	SEL6927A(TP5)			
LD711		00D 393 9605 900	SEL6427EP(TP5)			
LD712		00D 393 9606 909	SEL6927A(TP5)			
LD713		00D 393 9608 907	SLR342MC(TB7)			
LD715		00D 393 9606 909	SEL6927A(TP5)			
LD716		00D 393 9608 907	SLR342MC(TB7)			
LD717		00D 393 9606 909	SEL6927A(TP5)			
LD718		00D 393 9608 907	SLR342MC(TB7)			
LD719,720		00D 393 9609 906	SLR342DC(TB7)			
LD722		00D 393 9608 907	SLR342MC(TB7)			
LD723		00D 393 9659 901	SELU5E23C-P(BLU)			
LD724		00D 393 9609 906	SLR342DC(TB7)			
LD725		00D 393 9606 909	SEL6927A(TP5)			
LD726		00D 393 9659 901	SELU5E23C-P(BLU)			
LD727		00D 393 9606 909	SEL6927A(TP5)			
LD728		00D 393 9605 900	SEL6427EP(TP5)			
LD729-731		00D 393 9606 909	SEL6927A(TP5)			
LD801		00D 393 9608 907	SLR342MC(TB7)			

Ref. No.	nsp	Part No.	Part Name	Remarks	Q'ty	New
LD802		00D 393 9604 901	SEL6227S(TP5)			
LD803		00D 393 9605 900	SEL6427EP(TP5)			
LD804		00D 393 9606 909	SEL6927A(TP5)			
LD806		00D 393 9604 901	SEL6227S(TP5)			
LD807		00D 393 9606 909	SEL6927A(TP5)			
LD808		00D 393 9605 900	SEL6427EP(TP5)			
LD809,810		00D 393 9606 909	SEL6927A(TP5)			
LD811		00D 393 9605 900	SEL6427EP(TP5)			
LD812		00D 393 9608 907	SLR342MC(TB7)			
LD814		00D 393 9608 907	SLR342MC(TB7)			
LD815		00D 393 9606 909	SEL6927A(TP5)			
LD816		00D 393 9605 900	SEL6427EP(TP5)			
LD817		00D 393 9608 907	SLR342MC(TB7)			
LD818		00D 393 9609 906	SLR342DC(TB7)			
LD819		00D 393 9605 900	SEL6427EP(TP5)			
LD820		00D 393 9609 906	SLR342DC(TB7)			
LD821		00D 393 9608 907	SLR342MC(TB7)			
LD822		00D 393 9659 901	SELU5E23C-P(BLU)			
LD823		00D 393 9609 906	SLR342DC(TB7)			
LD824,825		00D 393 9605 900	SEL6427EP(TP5)			
LD826		00D 393 9659 901	SELU5E23C-P(BLU)			
LD828		00D 393 9605 900	SEL6427EP(TP5)			
LD829-831		00D 393 9606 909	SEL6927A(TP5)			
RESISTORS GROUP						
VR701		00D 211 0908 003	SLIDE VOLUME			
VR801		00D 211 0908 003	SLIDE VOLUME			
CAPACITORS GROUP						
C701-703	nsp	00D 257 0512 903	CK73F1E104ZT +1608			
C704		00D 254 4302 974	CE04W1A101MT(SRE)			
C705,706	nsp	00D 257 0511 904	CK73F1H103ZT +1608			
C707-709	nsp	00D 257 0512 903	CK73F1E104ZT +1608			
C710		00D 254 4302 974	CE04W1A101MT(SRE)			
C711,712	nsp	00D 257 0511 904	CK73F1H103ZT +1608			
C713-715	nsp	00D 257 0512 903	CK73F1E104ZT +1608			
C716		00D 254 4300 918	CE04W0J100MT(SRE)			
C717-719	nsp	00D 257 0512 903	CK73F1E104ZT +1608			
C722,723	nsp	00D 257 0511 904	CK73F1H103ZT +1608			
C724	nsp	00D 257 0512 903	CK73F1E104ZT +1608			
C725		00D 254 4302 974	CE04W1A101MT(SRE)			
C726,727	nsp	00D 257 0512 903	CK73F1E104ZT +1608			
C728,729	nsp	00D 257 0504 908	CC73CH1H220JT +1608			
C730-733	nsp	00D 257 0516 954	CK73B1E104KT +1608			
C734	nsp	00D 257 0512 903	CK73F1E104ZT +1608			
C735,736	nsp	00D 257 0504 908	CC73CH1H220JT +1608			
C801-803	nsp	00D 257 0512 903	CK73F1E104ZT +1608			
C804,805	nsp	00D 257 0511 904	CK73F1H103ZT +1608			
C806		00D 254 4302 974	CE04W1A101MT(SRE)			
C807-809	nsp	00D 257 0512 903	CK73F1E104ZT +1608			
C810,811	nsp	00D 257 0511 904	CK73F1H103ZT +1608			
C812		00D 254 4302 974	CE04W1A101MT(SRE)			
C813,814	nsp	00D 257 0512 903	CK73F1E104ZT +1608			
C815		00D 254 4302 974	CE04W1A101MT(SRE)			

Ref. No.	nsp	Part No.	Part Name	Remarks	Q'ty	New
C816,817 C818	nsp	00D 257 0512 903 00D 254 4300 918	CK73F1E104ZT +1608 CE04W0J100MT(SRE)			
C819 C820 C821,822 C823-825 C826	nsp nsp nsp nsp nsp	00D 257 0512 903 00D 257 0504 908 00D 257 0512 903 00D 257 0504 908 00D 257 0512 903	CK73F1E104ZT +1608 CC73CH1H220JT +1608 CK73F1E104ZT +1608 CC73CH1H220JT +1608 CK73F1E104ZT +1608			
C829-832 C833,834 C835,836	nsp nsp nsp	00D 257 0516 954 00D 257 0511 904 00D 257 0512 903	CK73B1E104KT +1608 CK73F1H103ZT +1608 CK73F1E104ZT +1608			
OTHERS PARTS GROUP						
CW042,043 CX112,113	nsp	00D 203 6393 093 00D 205 1260 017	4P KR-DS CON CORD 11P FFC BASE(9610SA)			
CY042,043 CY112,113 CY231,232 FB701,702	nsp	00D 205 0355 046 00D 205 1260 017 00D 205 1006 048 00D 235 0158 901	4P KR CON BASE(L) 11P FFC BASE(9610SA) 23P FFC BASE(P=1) CHIP BEADS(18PG121) +1608			
FB801,802 S701-704 S705 S706-730		00D 235 0158 901 00D 212 5604 907 00D 212 0410 002 00D 212 5604 907	CHIP BEADS(18PG121) +1608 TACT SWITCH-TA(ALPS) ROTARY ENCODER-JOG TACT SWITCH-TA(ALPS)			
S801-804 S805 S806-830		00D 212 5604 907 00D 212 0410 002 00D 212 5604 907	TACT SWITCH-TA(ALPS) ROTARY ENCODER-JOG TACT SWITCH-TA(ALPS)			

00DGU-3780 MAIN P.W.B. UNIT ASS'Y

Ref. No.	nsp	Part No.	Part Name	Remarks	Q'ty	New
SEMICONDUCTORS GROUP						
IC101		00D 262 2813 903	SN74AHCT08PW-EL2 +C			
IC102		00D 262 2572 901	SN74LVU04APW-EL2 +REF			
IC103		00D 262 3688 001	EP2C5Q208C8N			
IC104,105		00D 262 3685 004	W9812G6GH-6			
IC106		00D 262 3687 002	SH72060W200FPV			
IC107		00D 262 2517 908	SN74LV08APW-EL2 +REF			
IC401		00D 262 3689 903	BD9110NV			
IC402		00D 263 0454 901	M51957BFP(TP1)			
IC403		00D 262 3695 007	ISP1761BE			
IC404		00D 262 3697 908	LM3525M-L			
IC405		00D GEN 8368	HD2500 ROM ASSY	M29W800DT70N1		
IC501		00D 262 3693 009	D710E001ZDH300			
IC502,503		00D 262 3685 004	W9812G6GH-6			
TR101		00D 269 0083 901	DTA114EKT96 +C			
TR102		00D 269 0082 902	DTC114EKT96 +C			
TR201		00D 269 0083 901	DTA114EKT96 +C			
TR202		00D 269 0082 902	DTC114EKT96 +C			
TR405		00D 269 0237 906	DTC123JKA			
TR406,407		00D 269 0238 905	DTA123EKA			
D101		00D 276 0559 909	DAP202KT146 +C			
D103		00D 276 0560 901	DAN202KT146 +C			
D104		00D 276 0559 909	DAP202KT146 +C			
ZD101		00D 276 0683 943	UDZS3.6B-TE17			
RESISTORS GROUP						
R405,406		00D 247 2019 960	RM73B--123FT +1608			
R411		00D 247 2019 960	RM73B--123FT +1608			
R428		00D 247 2020 933	RM73B--103FT +1608			
R429		00D 247 2029 918	RM73B--622FT			
R436		00D 247 2029 921	RM73B--752FT			
R437		00D 247 2029 905	RM73B--562FT			
CAPACITORS GROUP						
C101,102	nsp	00M DD0 5470 20Y	47PF (GRM36)			
C103	nsp	00D 257 5009 974	CK73F1C104ZT +1005			
C104	nsp	00D 257 0037 909	CK73B1E105KT +2125			
C105	nsp	00D 257 5009 974	CK73F1C104ZT +1005			
C106	nsp	00M DK2 6476 01Y	GRM32EB31C476KE15L			
C107	nsp	00D 257 0501 901	CK73B1H103KT (1608) +1608			
C108	nsp	00D 257 5009 974	CK73F1C104ZT +1005			
C109		00D 254 4464 951	CE67C0J220MT(MV-B) +REF			
C110-120	nsp	00D 257 5009 974	CK73F1C104ZT +1005			
C121	nsp	00D 257 0510 918	CK73B1H332KT +1608			
C122	nsp	00D 257 5009 974	CK73F1C104ZT +1005			
C123	nsp	00D 257 0510 918	CK73B1H332KT +1608			
C124	nsp	00D 257 5009 974	CK73F1C104ZT +1005			
C125		00D 254 4464 951	CE67C0J220MT(MV-B) +REF			
C126	nsp	00D 257 0516 954	CK73B1E104KT +1608			
C127	nsp	00D 257 5008 933	CK73B1A104KT +1005			

	Ref. No.	nsp	Part No.	Part Name	Remarks	Q'ty	New
	C128-132	nsp	00M DD0 5470 20Y	47PF (GRM36)			
	C134-149	nsp	00M DD0 5470 20Y	47PF (GRM36)			
	C150	nsp	00D 257 0037 909	CK73B1E105KT +2125			
	C151,152	nsp	00M DD0 5470 20Y	47PF (GRM36)			
	C153	nsp	00D 257 5009 929	CK73F1H103ZT +1005			
	C154,155	nsp	00D 257 5009 974	CK73F1C104ZT +1005			
	C156,157	nsp	00M DD0 5470 20Y	47PF (GRM36)			
	C158,159	nsp	00D 257 5009 974	CK73F1C104ZT +1005			
	C161	nsp	00M DD0 5470 20Y	47PF (GRM36)			
	C162,163	nsp	00D 257 5009 974	CK73F1C104ZT +1005			
	C164,165	nsp	00M DD0 5470 20Y	47PF (GRM36)			
	C166,167	nsp	00D 257 5009 974	CK73F1C104ZT +1005			
	C168	nsp	00D 257 0512 903	CK73F1E104ZT +1608			
	C169	nsp	00D 257 0501 901	CK73B1H103KT (1608) +1608			
	C170		00D 254 4464 951	CE67C0J220MT(MV-B) +REF			
	C171	nsp	00D 257 0506 951	CC73CH1H101JT +1608			
	C172	nsp	00D 257 5009 929	CK73F1H103ZT +1005			
	C173	nsp	00D 257 0037 909	CK73B1E105KT +2125			
	C174	nsp	00D 257 5009 974	CK73F1C104ZT +1005			
	C175		00D 254 4464 951	CE67C0J220MT(MV-B) +REF			
	C176-178	nsp	00D 257 5009 974	CK73F1C104ZT +1005			
	C179	nsp	00D 257 0506 951	CC73CH1H101JT +1608			
	C180,181	nsp	00D 257 5009 974	CK73F1C104ZT +1005			
	C182	nsp	00D 257 5008 933	CK73B1A104KT +1005			
	C183-186	nsp	00D 257 5009 974	CK73F1C104ZT +1005			
	C187		00D 254 4464 951	CE67C0J220MT(MV-B) +REF			
	C188	nsp	00D 257 5009 974	CK73F1C104ZT +1005			
	C189	nsp	00D 257 0501 901	CK73B1H103KT (1608) +1608			
	C190	nsp	00D 257 0512 903	CK73F1E104ZT +1608			
	C191	nsp	00D 257 0503 967	CC73CH1H150JT +1608			
	C192	nsp	00D 257 0503 983	CC73CH1H180JT +1608			
	C193	nsp	00D 257 0516 954	CK73B1E104KT +1608			
	C194		00D 254 4464 951	CE67C0J220MT(MV-B) +REF			
	C195-200	nsp	00D 257 5009 974	CK73F1C104ZT +1005			
	C202,203	nsp	00D 257 0506 951	CC73CH1H101JT +1608			
	C204,205	nsp	00D 257 0516 954	CK73B1E104KT +1608			
	C206	nsp	00D 257 0501 901	CK73B1H103KT (1608) +1608			
	C401	nsp	00D 257 0521 949	CK73B1A474KT			
	C402		00D 254 4655 906	CE67C0J220MT (RV2) +REF			
	C403	nsp	00D 257 0516 954	CK73B1E104KT +1608			
	C404	nsp	00D 257 0503 909	CC73CH1H8R0DT +1608			
	C407	nsp	00D 257 0516 954	CK73B1E104KT +1608			
	C408	nsp	00D 257 0503 909	CC73CH1H8R0DT +1608			
	C409	nsp	00D 257 0516 954	CK73B1E104KT +1608			
	C410		00D 257 4018 908	CE67C1A100MT(PXA)			
	C411	nsp	00D 257 0516 954	CK73B1E104KT +1608			
	C412	nsp	00D 257 0520 911	CK73B1A224KT +1608			
	C413	nsp	00D 257 0516 954	CK73B1E104KT +1608			
	C414		00D 257 4018 908	CE67C1A100MT(PXA)			
	C415,416	nsp	00D 257 0516 954	CK73B1E104KT +1608			
	C417		00D 257 4018 908	CE67C1A100MT(PXA)			
	C418,419	nsp	00D 257 0516 954	CK73B1E104KT +1608			
	C420		00D 254 4655 906	CE67C0J220MT (RV2) +REF			
	C421	nsp	00D 257 0512 903	CK73F1E104ZT +1608			
	C422	nsp	00D 257 0511 904	CK73F1H103ZT +1608			
	C423	nsp	00D 257 0512 903	CK73F1E104ZT +1608			

Ref. No.	nsp	Part No.	Part Name	Remarks	Q'ty	New
C424	nsp	00D 257 0511 904	CK73F1H103ZT +1608			
C425	nsp	00D 257 0516 954	CK73B1E104KT +1608			
C426		00D 254 4656 934	CE67C1A470MT (RV2)			
C427		00D 254 4655 922	CE67C0J470MT (RV2) +REF			
C428,429	nsp	00D 257 0516 954	CK73B1E104KT +1608			
C431	nsp	00D 257 0038 908	CK73B1A106KT +2125			
C432	nsp	00D 257 0501 901	CK73B1H103KT (1608) +1608			
C433,434	nsp	00D 257 0038 908	CK73B1A106KT +2125			
C435		00D 254 4655 906	CE67C0J220MT (RV2) +REF			
C440	nsp	00D 257 0521 949	CK73B1A474KT			
C441-450	nsp	00D 257 5009 974	CK73F1C104ZT +1005			
C451		00D 254 4655 906	CE67C0J220MT (RV2) +REF			
C453	nsp	00D 257 0501 901	CK73B1H103KT (1608) +1608			
C454	nsp	00D 257 0504 982	CC73CH1H470JT +1608			
C501		00D 254 4464 951	CE67C0J220MT(MV-B) +REF			
C502	nsp	00D 257 5009 974	CK73F1C104ZT +1005			
C504	nsp	00M DK2 6476 01Y	GRM32EB31C476KE15L			
C505-521	nsp	00D 257 5009 974	CK73F1C104ZT +1005			
C522		00D 254 4464 951	CE67C0J220MT(MV-B) +REF			
C523-534	nsp	00D 257 5009 974	CK73F1C104ZT +1005			
C535		00D 254 4464 951	CE67C0J220MT(MV-B) +REF			
OTHERS PARTS GROUP						
CX041		00D 205 1381 006	USB CONNECTOR			
CX062		00D 205 1295 008	USB(B)CONNECTOR			
CX121		00D 205 1420 909	12P FFC BASE(9639GF)			
CX141,142		00M YJ0 7026 26Y	BM14B-SRSS-TB			
CX144		00M YJ0 7026 26Y	BM14B-SRSS-TB			
CX181		00D 205 1329 013	18P FFC BASE(9610SB)			
CX201,202		00D 205 1329 026	20P FFC BASE(9610SB)			
CX231,232		00D 205 1343 918	23P FFC BASE(9610SCA)			
CY081	nsp	00D 205 0355 088	8P KR CON BASE(L)			
CY111	nsp	00D 205 1135 003	8P MD BASE (F-S)			
FB101-103		00D 235 0158 901	CHIP BEADS(18PG121) +1608			
FB104		00D 235 0130 903	CHIP EMIFIL(11A121) +1608			
FB105,106		00D 235 0158 901	CHIP BEADS(18PG121) +1608			
FB107		00D 235 0130 903	CHIP EMIFIL(11A121) +1608			
FB108		00D 235 0158 901	CHIP BEADS(18PG121) +1608			
FB401		00D 235 0147 909	E.FIL(BLM21PG221SN1)+2125			
FB402-404		00D 235 0158 901	CHIP BEADS(18PG121) +1608			
FB501-504		00D 235 0158 901	CHIP BEADS(18PG121) +1608			
L101-104		00D 235 0158 901	CHIP BEADS(18PG121) +1608			
L401		00D 235 0183 905	INDUCTOR 2.2UH(7E06N)			
L402-404		00D 235 0199 902	BLM18RK102SN1			
W401	nsp	00D 205 1034 007	M3 SCREW TERMINAL			
X101		00D 399 1051 903	X-TAL(16.9344/HC-49)			
X401		00D 399 1038 900	FCX-03(12MHZ)			

00DGU-3781 SLOT P.W.B. UNIT ASS'Y

Ref. No.	nsp	Part No.	Part Name	Remarks	Q'ty	New
CAPACITORS GROUP						
C201	nsp	00D 257 0516 954	CK73B1E104KT +1608			
C202	nsp	00D 257 0501 901	CK73B1H103KT (1608) +1608			
C203	nsp	00D 257 0516 954	CK73B1E104KT +1608			
C204	nsp	00D 257 0501 901	CK73B1H103KT (1608) +1608			
C205	nsp	00D 257 0516 954	CK73B1E104KT +1608			
C206	nsp	00D 257 0501 901	CK73B1H103KT (1608) +1608			
C209		00D 254 4302 974	CE04W1A101MT(SRE)			
C210	nsp	00D 257 0516 954	CK73B1E104KT +1608			
C251	nsp	00D 257 0516 954	CK73B1E104KT +1608			
C252	nsp	00D 257 0501 901	CK73B1H103KT (1608) +1608			
C253	nsp	00D 257 0516 954	CK73B1E104KT +1608			
C254	nsp	00D 257 0501 901	CK73B1H103KT (1608) +1608			
C255		00D 254 4302 974	CE04W1A101MT(SRE)			
C256	nsp	00D 257 0516 954	CK73B1E104KT +1608			
OTHERS PARTS GROUP						
CX441		00D 204 6707 006	IDE44			
CX501		00D 204 6709 004	50P PLUG(TX25)			
CY041	nsp	00D 205 0343 045	4P CONN.BASE(KR-PH)			
CY201,202		00D 205 0892 059	20P FFC BASE((9610SCA)			
CY501		00D 204 6708 005	50P RECEP(TX24)			

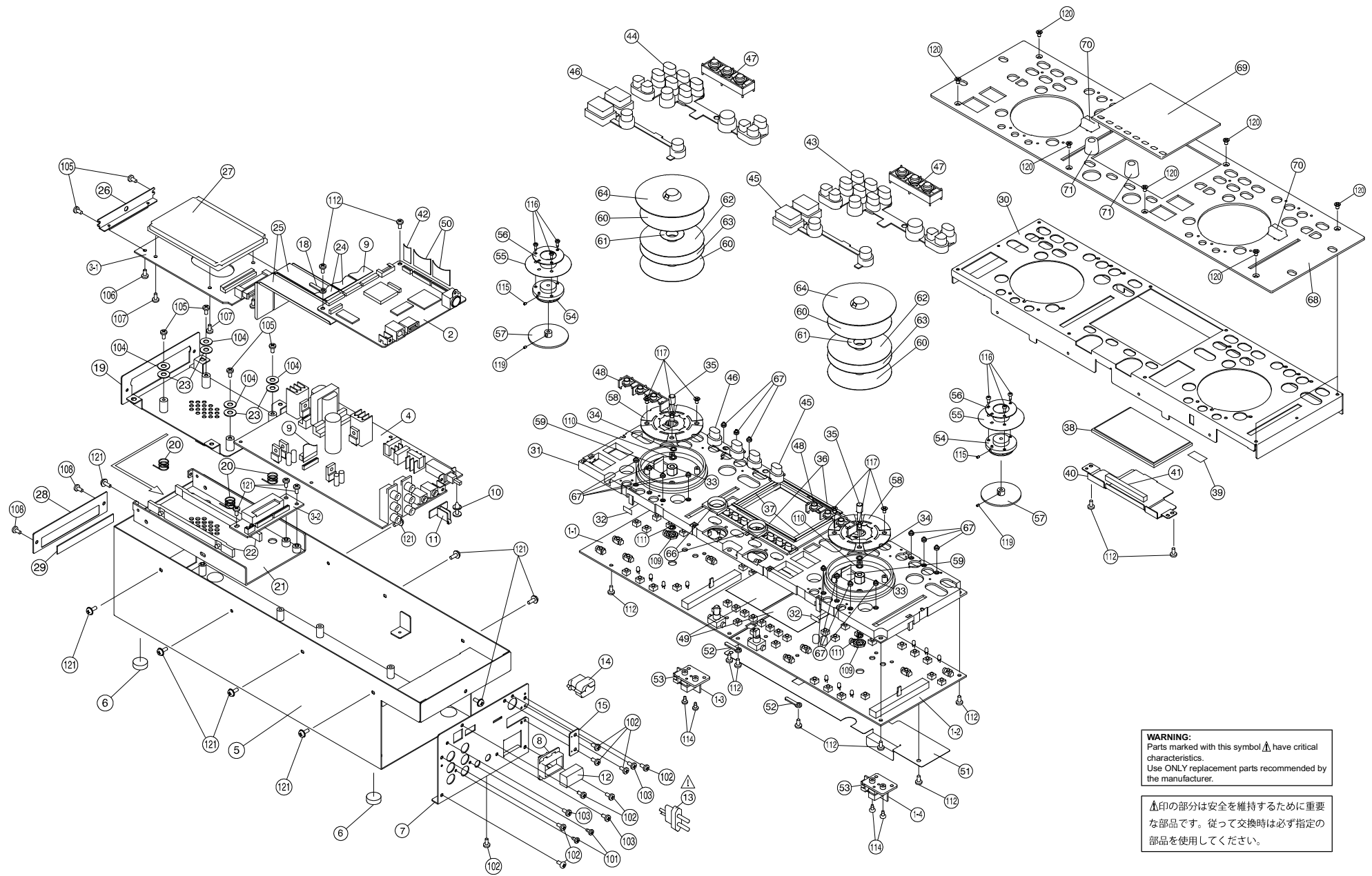
00DGU-3782 POWER P.W.B. UNIT ASS'Y

Ref. No.	nsp	Part No.	Part Name	Remarks	Q'ty	New
SEMICONDUCTORS GROUP						
IC801		00D 263 0809 006	NJM7805FA(S)			
IC802,803		00D 262 3692 903	PCM1781			
IC804,805		00D 263 0896 909	NJM2068MD-TE1 +C			
IC806,807		00D 262 1953 903	TC7WU04F +C			
IC808		00D 262 2557 900	SN74LV14APW-EL2 +REF			
IC901		00D 265 0127 001	STR-W6765N(LF2003)			
IC902		00D 263 1113 005	SE005N			
IC903		00D 262 3047 008	PC123Y22			
IC904		00D 263 0810 008	NJM7808FA(S)			
IC906		00D 263 0503 001	NJM7908FA			
IC908		00D 262 3698 004	BA33BC0WT-V5			
TR801		00D 269 0082 902	DTC114EKT96 +C			
TR802		00D 269 0083 901	DTA114EKT96 +C			
TR803		00D 269 0082 902	DTC114EKT96 +C			
TR804-807		00D 273 0460 905	KTC2875-B-RTK/P			
TR809		00D 273 0490 904	2SC2412KFD6T146E			
TR811		00D 273 0490 904	2SC2412KFD6T146E			
TR813-817		00D 273 0460 905	KTC2875-B-RTK/P			
TR901		00D 269 0083 901	DTA114EKT96 +C			
TR902		00D 269 0237 906	DTC123JKA			
TR903		00D 269 0055 900	DTA144EKT96 +C			
TR904		00D 269 0083 901	DTA114EKT96 +C			
D801		00D 276 0717 903	1SS355 TE-17 +C			
D802,803		00D 276 0559 909	DAP202KT146 +C			
D804,805		00D 276 0560 901	DAN202KT146 +C			
D806		00D 276 0717 903	1SS355 TE-17 +C			
D901		00D 276 0832 008	FMX-G22S			
D902,903		00D 276 0727 919	AL01ZT (WK)			
D905		00D 276 0727 919	AL01ZT (WK)			
D906		00D 276 0796 908	1SR139-400T-31			
D907-909		00D 276 0727 919	AL01ZT (WK)			
D911,912		00D 276 0796 908	1SR139-400T-31			
D913		00D 276 0727 919	AL01ZT (WK)			
D914-917		00D 276 0729 904	EM01AT (V1)			
D918,919		00D 276 0813 001	AP01C			
D921		00D 276 0796 908	1SR139-400T-31			
ZD901		00D 276 0760 963	MTZJ6.2B T77			
ZD902		00D 276 0761 959	MTZJ15B T77			
ZD903		00D 276 0760 976	MTZJ6.8B T77			
ZD904		00D 276 0760 918	MTZJ3.9B T77			
TH901		00D 279 0044 002	NTH11D8R0LA			
RESISTORS GROUP						
R901		00D 244 2052 960	RS14B3A221JNBST(S)			
R905		00D 244 2043 979	RS14B3A5R6JNBST(S)			
R925		00D 244 2675 732	RS14B3D104JNBF(ERG)			
R927		00D 244 2682 958	RS14B3D1R5JNBST(S)			
R931		00D 244 2675 729	RS14B3D224JNBF (ERG)			
R938		00D 244 2051 929	RS14B3A821JNBST(S)			

	Ref. No.	nsp	Part No.	Part Name	Remarks	Q'ty	New
CAPACITORS GROUP							
	C801,802	nsp	00D 257 0512 903	CK73F1E104ZT +1608			
	C804	nsp	00D 257 0512 903	CK73F1E104ZT +1608			
	C805	nsp	00D 257 0511 904	CK73F1H103ZT +1608			
	C806	nsp	00D 254 4536 915	CE04W1A470MT SMG/RE3			
	C809-812	nsp	00D 254 4536 915	CE04W1A470MT SMG/RE3			
	C813-816	nsp	00D 257 0512 903	CK73F1E104ZT +1608			
	C817-820		00M OA4 7601 621	47 UF M 16V RA-2			
	C821-824	nsp	00D 257 0509 929	CK73B1H102KT +1608			
	C825-828	nsp	00D 257 0506 993	CC73CH1H151JT +1608			
	C829	nsp	00D 257 0512 903	CK73F1E104ZT +1608			
	C830		00D 254 4538 971	CE04W1C471MT SMG/RE3			
	C831,832	nsp	00D 257 0512 903	CK73F1E104ZT +1608			
	C833		00M OA4 7601 621	47 UF M 16V RA-2			
	C834	nsp	00D 257 0512 903	CK73F1E104ZT +1608			
	C835,836		00M OA4 7601 621	47 UF M 16V RA-2			
	C837	nsp	00D 257 0506 977	CC73CH1H121JT +1608			
	C838		00M OA4 7601 621	47 UF M 16V RA-2			
	C839,840	nsp	00D 257 0506 977	CC73CH1H121JT +1608			
	C841		00D 254 4538 971	CE04W1C471MT SMG/RE3			
	C842	nsp	00D 257 0506 977	CC73CH1H121JT +1608			
	C843,844		00D 254 4538 971	CE04W1C471MT SMG/RE3			
	C845	nsp	00D 257 0509 929	CK73B1H102KT +1608			
	C846	nsp	00D 257 0501 901	CK73B1H103KT (1608) +1608			
	C847	nsp	00D 257 0512 903	CK73F1E104ZT +1608			
	C848	nsp	00D 254 4536 928	CE04W1A101MT SMG/RE3			
	C850	nsp	00D 254 4524 943	CE04W1H010MT SMG/RE3			
	C851	nsp	00D 257 0509 929	CK73B1H102KT +1608			
	C852	nsp	00D 257 0501 901	CK73B1H103KT (1608) +1608			
	C853	nsp	00D 257 0512 903	CK73F1E104ZT +1608			
	C854	nsp	00D 254 4536 928	CE04W1A101MT SMG/RE3			
	C856	nsp	00D 254 4524 943	CE04W1H010MT SMG/RE3			
	C857-864	nsp	00D 257 0512 903	CK73F1E104ZT +1608			
	C865-870	nsp	00D 257 0501 901	CK73B1H103KT (1608) +1608			
	C901	nsp	00D 257 0512 903	CK73F1E104ZT +1608			
	C902	nsp	00D 257 0511 904	CK73F1H103ZT +1608			
⚠	C903		00D 253 8022 707	CK45F2EAC103MC			
	C904	nsp	00D 257 0512 903	CK73F1E104ZT +1608			
	C905	nsp	00D 257 0511 904	CK73F1H103ZT +1608			
	C906		00D 256 8038 004	CF99--2EAC104M			
	C907		00D 253 8029 713	CK45F2EAC471KC(KX)			
	C908	nsp	00D 257 0516 954	CK73B1E104KT +1608			
	C909,910		00D 253 8029 713	CK45F2EAC471KC(KX)			
	C911	nsp	00D 257 0508 917	CC73CH1H471JT +1608			
	C912	nsp	00D 257 0518 907	CK73B1E683KT(1608) +1608			
	C913	nsp	00D 257 0037 909	CK73B1E105KT +2125			
	C914		00D 254 4589 713	CE04W2G101MC(KMG)			
	C915	nsp	00D 254 4524 998	CE04W1H220MT SMG/RE3			
	C916	nsp	00D 257 0507 934	CC73CH1H221JT +1608			
	C917	nsp	00D 257 0509 990	CK73B1H222KT +1608			
	C918	nsp	00D 253 4546 711	CC45SL3D221JC			
	C919		00D 255 4261 762	CQ93P2J103KC(ECQP)			
	C920		00D 253 8029 700	CK45F2EAC222MC (KX)			
	C921	nsp	00D 257 0516 954	CK73B1E104KT +1608			
	C922	nsp	00D 253 4548 706	CC45R3A102KC			
	C923		00D 254 4652 705	CE04W1A222MC J30(KY)			

Ref. No.	nsp	Part No.	Part Name	Remarks	Q'ty	New
C925		00D 254 4652 705	CE04W1A222MC J30(KY)			
C926	nsp	00D 257 0516 954	CK73B1E104KT +1608			
C927		00D 255 1264 953	CQ93M1H272JT(B)			
C928,929		00M OA4 7702 521	470UF 25V M RA-2			
C931,932	nsp	00D 257 0516 954	CK73B1E104KT +1608			
C933,934	nsp	00D 254 4541 939	CE04W1E470MT SMG/RE3			
C935	nsp	00D 254 4538 913	CE04W1C220MT SMG/RE3			
C936	nsp	00D 257 0516 954	CK73B1E104KT +1608			
C937,938	nsp	00D 254 4536 928	CE04W1A101MT SMG/RE3			
C939	nsp	00D 257 0516 954	CK73B1E104KT +1608			
C940	nsp	00D 254 4536 928	CE04W1A101MT SMG/RE3			
C943,944		00D 254 4756 902	CE04W1H101MT HB5(KY)			
C945,946	nsp	00D 257 0516 954	CK73B1E104KT +1608			
C947	nsp	00D 254 4536 928	CE04W1A101MT SMG/RE3			
OTHERS PARTS GROUP						
AS901, 902	nsp	00D 417 0476 023	RADIATOR			
CW041	nsp	00D 203 6393 051	4P KR-DS CON CORD			
CW081	nsp	00D 204 2930 026	8P KR-DA CON.CORD			
CX021	nsp	00D 205 0581 001	2P VH CON BASE (White)			
CY181		00D 205 0892 017	18P FFC BASE(P=1)			
⚠ F901		00D 206 1087 002	FUSE (ET0.63A)	for E3		
⚠ F901		00D 206 1089 013	FUSE(ET1.25A)	for E2		
FB801		00D 235 0158 901	CHIP BEADS(18PG121) +1608			
FF901	nsp	00D 202 0040 909	FUSE CLIP(TAPE)			
FH901	nsp	00D 202 0040 909	FUSE CLIP(TAPE)			
JK801,802		00D 204 8664 011	3P PIN JACK			
JK803,804		00D 204 8416 007	MINI JACK			
L901		00D 235 0157 009	PLA10AN7720R7D2B			
L902		00D 235 0201 007	PLY10AN8720R7R2			
L903		00D 235 0200 901	COIL-LHL10TB4R7MT			
⚠ S901		00D 212 1176 015	POWER SWITCH(TV-5)			
⚠ T901		00D 233 6571 007	ST-3260C			
W901	nsp	00D 205 1034 007	M3 SCREW TERMINAL			
	nsp	0RD 471 3303 016	3X6 CBS-Z			
	nsp	00D GEN 8038	FUSE LABEL SUB ASSY	for E2 F901		

EXPLODED VIEW



WARNING:
 Parts marked with this symbol ⚠ have critical characteristics.
 Use **ONLY** replacement parts recommended by the manufacturer.

⚠印の部分は安全を維持するために重要な部品です。従って交換時は必ず指定の部品を使用してください。

PARTS LIST OF EXPLODED VIEW

* 本表に記載されている部品は、補修用部品のため製品に使用している部品とは一部、形状、寸法などが異なる場合があります。

* The parts listed below are for maintenance only, might differ from the parts used in the unit in appearances or dimensions.

* "nsp" 印の部品は常時在庫していませんので供給に長時間を要することがあります。場合によっては、供給をお断りする場合があります。

* Part indicated with the mark "nsp" are not always in stock and possibly to take a long period of time for supplying, or in some case supplying of part may be refused.

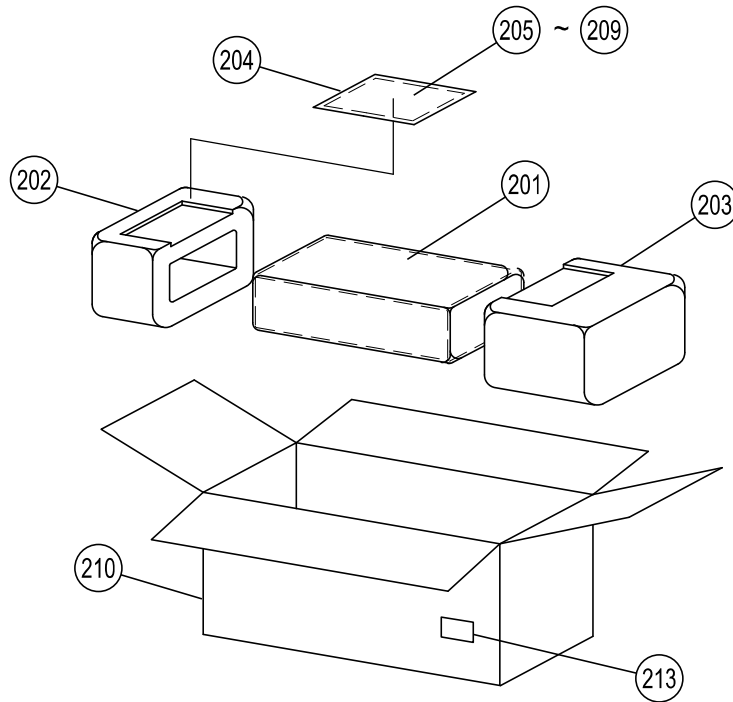
Note: The symbols in the column "Remarks" indicate the following destinations.

E3 : U.S.A. & Canada model E2 : Europe model

Ref. No.	nsp	Part No.	Part Name	Remarks	Q'ty	New
1	nsp	00DGU-3778	PANEL P.W.B UNIT ASSY		1	*
1-1			PANEL UNIT1			
1-2			PANEL UNIT2			
1-3			SENSOR1 UNIT			
1-4			SENSOR2 UNIT			
1-5			DISC1 UNIT			
1-6			DISC2 UNIT			
2		00DGU-3780	MAIN P.W.B UNIT ASSY		1	*
3	nsp	00DGU-3781	SLOT P.W.B UNIT ASSY		1	*
3-1			SLOT1 UNIT			
3-2			SLOT2 UNIT			
4	nsp	00DGU-3782E2	POWER P.W.B UNIT ASSY (E2)	for E2	1	*
4	nsp	00DGU-3782E3	POWER P.W.B UNIT ASSY (E3)	for E3	1	*
5		00D 105 1676 107	CASE ASSY		1	*
6		00D 461 0706 101	FOOT SHEET		4	
7		00D 105 1674 109	REAR PANEL		1	*
8	nsp	00D 146 2433 007	P.SW KNOB GUIDE		1	
9		00D 009 0103 001	18P FFC CABLE		1	*
10	nsp	00M 446 S101 010	SUPPORT		1	
11	nsp	00D 441 2020 001	FADER GUARD		1	*
12		00D 113 1689 001	P.SW KNOB		1	
13		00D 206 2089 106	AC CORD W/CON.E2	for E2	1	
13		00D 206 2155 001	AC CORD W/CON.E3	for E3	1	
14		00D 445 0056 008	CORD BUSH	for E2	1	
14		00D 445 0084 009	CORD BUSH	for E3	1	
15		00D 441 2016 002	BUSH PLATE		1	*
★ 16	nsp	00D 415 0767 079	UL TUBE (16) BK		1	*
★ 17	nsp	00D 445 8004 007	WIRE CLAMPER		1	
18	nsp	00D 445 8028 009	CORD HOLDER		1	
19	nsp	00D 441 2012 103	HDD BRACKET 1		1	*
20	nsp	00D 463 0977 004	SPRING		4	*
21	nsp	00D 441 2013 102	HDD BRACKET 2		1	*
22	nsp	00D 415 1005 002	HDD GUIDE		2	*
23	nsp	00D 461 1280 008	HDD WASHER		4	*
24		00D 009 0290 011	20P FFC(1.0) L=170		2	*
25	nsp	00D 461 1295 006	FFC GUARD		2	*
26	nsp	00D 441 2017 001	HDD BRACKET 3		1	*
27		00D 399 1124 005	HDD(MHW2040AT)(SPK)		1	*
28		00D 144 3001 005	HDD COVER		1	*
29		00D 461 1281 007	HDD COVER 1 BUFFER		1	*
30	nsp	00D 411 2103 105	MAIN BRACKET		1	*
31	nsp	00D 146 2484 108	INNER PANEL ASSY		1	*
32	nsp	00D 421 0853 108	REFLECTION SHEET		2	*
33		00D 443 1617 107	BEARING		2	*
34		0RD 475 1161 016	WASHER		2	
35		00D 422 0685 104	SHAFT		2	*
36		00D 461 1277 105	LCD BUFFER 1		2	*
37		00D 461 1278 104	LCD BUFFER 2		2	*
38		00D 393 6028 001	LCD MODULE(MD578TT72)		1	*
39		00D 421 0856 008	PROTECT SHEET		1	*
40	nsp	00D 441 2015 003	LCD SHIELD		1	*

	Ref. No.	nsp	Part No.	Part Name	Remarks	Q'ty	New
	41	nsp	00D 461 1287 108	LCD SHIELD BUFFER		1	*
	42		00D 009 0288 007	12P FFC(0.5)230-FNM		1	*
	43		00D 113 2084 100	BUTTON A		1	*
	44		00D 113 2085 109	BUTTON B		1	*
	45		00D 113 2086 108	BUTTON C		1	*
	46		00D 113 2087 107	BUTTON D		1	*
	47		00D 113 2062 009	BUTTON 3		2	*
	48		00D 113 2063 008	BUTTON 4		2	*
	49	nsp	00D 461 1294 007	LCD INSULATOR		2	*
	50		00D 009 0290 008	23P FFC(1.0) L=250		2	*
	51		00D 421 0852 109	PROTECTION SHEET		1	*
	52	nsp	0RD 445 0048 003	CORD HOLDER (L76)		2	*
	53	nsp	00D 441 2014 004	T. SENSOR BASE		2	*
	54		00D 421 0838 013	WHEEL ASSY (2)		2	*
	55		00D 421 0836 002	SCALE DISC		2	
	56		00D 441 2006 009	DISC FIX PLATE		2	
	57		00D 421 0854 000	JOG WEIGHT		2	*
	58		00D SPK 563	TOUCH SENSOR UNIT		2	*
	59		00D 009 0290 037	11P FFC(1.0) L=60		2	*
	60		00D 421 0849 028	SLIP MAT(B)		4	*
	61		00D 421 0849 057	SLIP MAT(E)		2	*
	62		00D 421 0849 031	SLIP MAT(C)		2	*
	63		00D 421 0849 015	SLIP MAT(A)		2	*
	64		00D GEN 8321	JOG WHEEL SUB ASSY		2	*
	66		00D 143 1264 003	COLOR RING		2	*
	67		00D 143 1268 106	LENS 2		16	*
	68		00D 144 3000 103	TOP PANEL		1	*
	69		00D 143 1267 107	WINDOW		1	*
	70		00D 113 2078 103	SLIDE KNOB		2	*
	71		00D 112 0982 007	KNOB 1		2	*
★	72	nsp	00D GEN 8311	R. SHEET E2 SUB ASSY	for E2	1	*
★	73	nsp	00D GEN 8308	R. SHEET E3 SUB ASSY	for E3	1	*
★	74	nsp	00D 513 4177 008	C-UL MARK US	for E3	1	*
★	75	nsp	00D 513 3159 001	FCC/CLASS B CAUTION	for E3	1	
SCREWS & WASHERS							
	101		0RD 473 7519 006	2.6X8CBTS(P)-B		2	
	102	nsp	0RD 473 7015 018	3X8 CBTS (S)-B		13	
	103	nsp	0RD 471 3304 028	3X8 CBS-B		3	
	104	nsp	0RD 475 1160 004	WASHER		4	
	105	nsp	0RD 471 3303 016	3X6 CBS-Z		17	
	106	nsp	0RD 473 7002 005	3X6 CBTS(S)-Z		2	
	107		0RD 471 3302 017	3X5 CBS		4	
	108		0RD 475 5120 011	3X8 HSHB MFZNB		2	
	109		0RD 477 0330 103	8 N-Z		2	*
	110	nsp	0RD 475 1187 032	WASHER 7/4.2		2	
	111		0RD 476 1003 009	3 E RING		2	
	112	nsp	0RD 473 7002 018	3X8 CBTS (S)-Z		12	
	113	nsp	0RD 473 7500 015	3X8 CBTS (P)-Z		21	
	114		0RD 473 7505 010	2.6X6 CBTS (P)-Z		4	
	115		0RD 474 4310 007	2X2.5 BSS		2	
	116		0RD 473 7506 019	2X6 CBTS (P)-Z		6	
	117		0RD 473 7520 008	2.6X6 CFTS(P)-B		8	
	119		0RD 474 4300 017	2.6X3 BSS		2	
	120		0RD 471 2801 030	3X5 CFS-B		8	
	121		0RD 473 8007 083	3X8 CUP SCREW		10	

PACKING VIEW



PARTS LIST OF PACKING & ACCESSORIES

* 本表に記載されている部品は、補修用部品のため製品に使用している部品とは一部、形状、寸法などが異なる場合があります。

* The parts listed below are for maintenance only, might differ from the parts used in the unit in appearances or dimensions.

* "nsp" 印の部品は常時在庫していませんので供給に長時間を要することがあります。場合によっては、供給をお断りする場合があります。

* Part indicated with the mark "nsp" are not always in stock and possibly to take a long period of time for supplying, or in some case supplying of part may be refused.

Note: The symbols in the column "Remarks" indicate the following destinations.

E3 : U.S.A. & Canada model E2 : Europe model

	Ref. No.	nsp	Part No.	Part Name	Remarks	Q'ty	New
	201	nsp	00D 505 0350 048	STYLEN PAPER		1	*
	202	nsp	00D 503 1534 003	CUSHION 1		1	*
	203	nsp	00D 503 1535 002	CUSHION 2		1	*
	204	nsp	00M 44B S812 010	VINYL BAG		1	
	205		00D 511 4606 007	INST. MANUAL(CD-ROM)		1	*
	206		00D 511 4607 006	INST. MANUAL(PC APPL)		1	*
	207		00D 203 2442 003	2P PIN CORD		2	
	208		00D 515 0923 401	S.S.LIST COM.(EX)		1	
	209	nsp	00D 515 0966 109	WARRANTY(COM.1Y)	for E3	1	
	210	nsp	00D 501 2352 000	CARTON CASE		1	*
	★ 211		-	CONT.CARD(L)SUB ASSY		1	*
	★ 212		-	BAR CODE LABEL ASSY		1	
	213	nsp	00D 513 2303 007	VERSION LABEL		2	