

## PARTS LIST OF P.W.B. UNIT

\* 本表に "nsp" と記載されている部品は供給できません。

\* Parts for which "nsp" is indicated on this table cannot be supplied.

\* 本表に記載されている部品は、補修用部品のため製品に使用している部品とは一部、形状、寸法などが異なる場合があります。

\* The parts listed below are for maintenance only, might differ from the parts used in the unit in appearances or dimensions.

Note: The symbols in the column "Remarks" indicate the following destinations.

E3 : U.S.A. & Canada model

E2 : Europe model

JP : Japan model

### GU-3848 PANEL P.W.B. UNIT ASS'Y

Ref. No.	Part No.	Part Name	Remarks	Q'ty	New
<b>SEMICONDUCTORS GROUP</b>					
IC701	00D 262 2953 915	SN74HCT138APW			
IC702	00D 262 3694 901	SN74LV165APW			
IC703	00D 269 0226 001	GP1A038RBK			
IC704	00D 262 3690 905	TB62725BFNG			
IC705	00D 262 2557 900	SN74LV14APW-EL2 +REF			
IC706	00D 262 3691 904	B6TS-04LT			
IC801	00D 269 0226 001	GP1A038RBK			
IC802	00D 262 3694 901	SN74LV165APW			
IC803	00D 262 3691 904	B6TS-04LT			
IC804	00D 262 2953 915	SN74HCT138APW			
IC805	00D 262 3690 905	TB62725BFNG			
IC806	00D 262 2557 900	SN74LV14APW-EL2 +REF			
TR701-709	00D 271 0260 905	2SA1036KT146(S/R) +C			
TR710	00D 269 0246 900	DTC123EKA			*
TR711	00D 271 0260 905	2SA1036KT146(S/R) +C			
TR712	00D 269 0246 900	DTC123EKA			*
TR713	00D 271 0260 905	2SA1036KT146(S/R) +C			
TR714	00D 269 0246 900	DTC123EKA			*
TR801	00D 271 0260 905	2SA1036KT146(S/R) +C			
TR802	00D 269 0246 900	DTC123EKA			*
TR803	00D 271 0260 905	2SA1036KT146(S/R) +C			
TR804	00D 269 0246 900	DTC123EKA			*
TR805	00D 271 0260 905	2SA1036KT146(S/R) +C			
TR806	00D 269 0246 900	DTC123EKA			*
TR807-814	00D 271 0260 905	2SA1036KT146(S/R) +C			
D701-720	00D 276 0560 901	DAN202KT146 +C			
D801-820	00D 276 0560 901	DAN202KT146 +C			
LD701	00D 393 9606 909	SEL6927A(TP5)			
LD702	00D 393 9650 007	LED(SPR-39MVW)			
LD703	00D 393 9660 903	SELU5223C-S(RE D)			
LD704	00D 393 9606 909	SEL6927A(TP5)			
LD705	00D 393 9607 908	SLR342VC(TB7)			
LD706,707	00D 393 9650 007	LED(SPR-39MVW)			
LD708	00D 393 9674 902	SLR343EC4TT32			*
LD709-711	00D 393 9606 909	SEL6927A(TP5)			
LD712	00D 393 9653 907	SML79420C(TP15)			
LD713-716	00D 393 9605 900	SEL6427EP(TP5)			
LD717	00D 393 9606 909	SEL6927A(TP5)			
LD718	00D 393 9660 903	SELU5223C-S(RE D)			
LD719-721	00D 393 9606 909	SEL6927A(TP5)			
LD722	00D 393 9674 902	SLR343EC4TT32			*
LD723,724	00D 393 9606 909	SEL6927A(TP5)			
LD725,726	00D 393 9674 915	SLR343BC4TT32			*
LD727	00D 393 9675 901	SLI-325DCT31W			*

Ref. No.	Part No.	Part Name	Remarks	Q'ty	New
LD728,729	00D 393 9606 909	SEL6927A(TP5)			
LD730	00D 393 9674 915	SLR343BC4TT32			*
LD731	00D 393 9675 901	SLI-325DCT31W			*
LD732-736	00D 393 9606 909	SEL6927A(TP5)			
LD801	00D 393 9606 909	SEL6927A(TP5)			
LD802	00D 393 9660 903	SELU5223C-S(RE D)			
LD803	00D 393 9606 909	SEL6927A(TP5)			
LD804	00D 393 9660 903	SELU5223C-S(RE D)			
LD805,806	00D 393 9606 909	SEL6927A(TP5)			
LD807,808	00D 393 9674 902	SLR343EC4TT32			*
LD809,810	00D 393 9606 909	SEL6927A(TP5)			
LD811	00D 393 9605 900	SEL6427EP(TP5)			
LD812	00D 393 9606 909	SEL6927A(TP5)			
LD813	00D 393 9650 007	LED(SPR-39MVW)			
LD814	00D 393 9653 907	SML79420C(TP15)			
LD815	00D 393 9605 900	SEL6427EP(TP5)			
LD816-818	00D 393 9606 909	SEL6927A(TP5)			
LD819	00D 393 9674 915	SLR343BC4TT32			*
LD820,821	00D 393 9606 909	SEL6927A(TP5)			
LD822	00D 393 9650 007	LED(SPR-39MVW)			
LD823	00D 393 9675 901	SLI-325DCT31W			*
LD824,825	00D 393 9606 909	SEL6927A(TP5)			
LD826	00D 393 9674 915	SLR343BC4TT32			*
LD827	00D 393 9606 909	SEL6927A(TP5)			
LD828	00D 393 9605 900	SEL6427EP(TP5)			
LD829,830	00D 393 9606 909	SEL6927A(TP5)			
LD831	00D 393 9650 007	LED(SPR-39MVW)			
LD832	00D 393 9607 908	SLR342VC(TB7)			
LD833	00D 393 9674 915	SLR343BC4TT32			*
LD834	00D 393 9675 901	SLI-325DCT31W			*
LD835	00D 393 9605 900	SEL6427EP(TP5)			
LD836	00D 393 9606 909	SEL6927A(TP5)			
FL701	00D 393 8096 002	17-BT-30GINK(VFD)			*
FL801	00D 393 8096 002	17-BT-30GINK(VFD)			*
<b>RESISTORS GROUP</b>					
VR701	00D 211 0908 003	SLIDE VOLUME			
VR801	00D 211 0908 003	SLIDE VOLUME			
<b>CAPACITORS GROUP</b>					
C701-703	nsp	CK73F1E104ZT +1608			
C704	00D 254 4302 974	CE04W1A101MT(SRE)			
C705,706	nsp	CK73F1H103ZT +1608			
C707-709	nsp	CK73F1E104ZT +1608			
C710	00D 254 4302 974	CE04W1A101MT(SRE)			
C711,712	nsp	CK73F1H103ZT +1608			
C713-715	nsp	CK73F1E104ZT +1608			
C716	00D 254 4300 918	CE04W0J100MT(SRE)			
C717-719	nsp	CK73F1E104ZT +1608			
C722,723	nsp	CK73F1H103ZT +1608			
C724	nsp	CK73F1E104ZT +1608			
C725	00D 254 4300 918	CE04W0J100MT(SRE)			
C726,727	nsp	CK73F1E104ZT +1608			

Ref. No.	Part No.	Part Name	Remarks	Q'ty	New
C728,729	00D 257 0504 911	CC73CH1H240JT			
C730-733	nsp	CK73B1E104KT +1608			
C734	nsp	CK73F1E104ZT +1608			
C735,736	00D 257 0504 911	CC73CH1H240JT			
C740	nsp	CK73B1H222KT +1608			
C741	nsp	CK73B1H332KT +1608			
C744,745	nsp	CK73F1E104ZT +1608			
C801,802	nsp	CK73F1E104ZT +1608			
C806	nsp	CK73B1H222KT +1608			
C807	nsp	CK73B1H332KT +1608			
C810-812	nsp	CK73F1E104ZT +1608			
C813,814	nsp	CK73F1H103ZT +1608			
C815	00D 254 4302 974	CE04W1A101MT(SRE)			
C816-818	nsp	CK73F1E104ZT +1608			
C819,820	nsp	CK73F1H103ZT +1608			
C821	00D 254 4302 974	CE04W1A101MT(SRE)			
C822,823	nsp	CK73F1E104ZT +1608			
C826	00D 254 4300 918	CE04W0J100MT(SRE)			
C827,828	nsp	CK73F1E104ZT +1608			
C829	00D 257 0504 911	CC73CH1H240JT			
C830,831	nsp	CK73F1E104ZT +1608			
C832-834	00D 257 0504 911	CC73CH1H240JT			
C835-838	nsp	CK73B1E104KT +1608			
C839,840	nsp	CK73F1H103ZT +1608			
C841,842	nsp	CK73F1E104ZT +1608			
C843	00D 254 4300 918	CE04W0J100MT(SRE)			
C844,845	nsp	CK73F1E104ZT +1608			
<b>OTHERS PARTS GROUP</b>					
CW041	00D 203 6605 024	4P KR-DS CON.CORD			*
CW042	00D 203 6393 019	4P KR-DS CON CORD			
CW043,044	00D 203 6393 093	4P KR-DS CON CORD			
CX112,113	00D 205 1260 017	11P FFC BASE(9610SA)			
CY043,044	00D 205 0355 046	4P KR CON BASE(L)			
CY112,113	00D 205 1260 017	11P FFC BASE(9610SA)			
CY271,272	00D 205 1100 083	27P FFC BASE (P=1)			
FB701,702	00D 235 0158 901	CHIP BEADS(18PG121) +1608			
FB801,802	00D 235 0158 901	CHIP BEADS(18PG121) +1608			
S701-704	00D 212 5604 907	TACT SWITCH-TA(ALPS)			
S705	00D 212 0410 002	ROTARY ENCODER-JOG			
S706-730	00D 212 5604 907	TACT SWITCH-TA(ALPS)			
S801-829	00D 212 5604 907	TACT SWITCH-TA(ALPS)			
S830	00D 212 0410 002	ROTARY ENCODER-JOG			

## GU-3849 MAIN P.W.B. UNIT ASS'Y

	Ref. No.	Part No.	Part Name	Remarks	Q'ty	New
<b>SEMICONDUCTORS GROUP</b>						
	IC101	00D 262 2813 903	SN74AHCT08PW-EL2 +C			
	IC102	00D 262 2855 000	16M SDRAM TSOP-8 H/W +C			
	IC103	00D GEN 8704	DNHC4500 ROM ASSY	M29W400DT55N6E		*
	IC104	00D 262 3764 006	R5S72630P200FP			*
	IC105	00D 262 2948 904	SN74LV86APW +REF			
	IC106	00D 262 2572 901	SN74LVU04APW-EL2 +REF			
	IC107	00D 262 2669 908	SN74LV157APW +C			
	IC401	00D 262 3689 903	BD9110NV			
	IC402	00D 262 2557 900	SN74LV14APW-EL2 +REF			
	IC403	00D 263 0989 900	NJM2904M-TE1 +C			
	TR101	00D 269 0083 901	DTA114EKT96 +C			
	TR102	00D 269 0082 902	DTC114EKT96 +C			
	TR103,104	00D 269 0238 905	DTA123EKA			
	TR106	00D 269 0082 902	DTC114EKT96 +C			
	TR107	00D 269 0083 901	DTA114EKT96 +C			
	TR108	00D 269 0055 900	DTA144EKT96 +C			
	TR401	00D 269 0237 906	DTC123JKA			
	TR402	00D 269 0082 902	DTC114EKT96 +C			
	TR403	00D 269 0238 905	DTA123EKA			
	TR404	00D 269 0086 908	DTA114TKT96 +C			
	TR405,406	00D 269 0238 905	DTA123EKA			
	D101,102	00D 276 0559 909	DAP202KT146 +C			
	D103	00D 276 0560 901	DAN202KT146 +C			
	D104	00D 276 0717 903	1SS355 TE-17 +C			
	D105	00D 276 0559 909	DAP202KT146 +C			
	D106	00D 276 0560 901	DAN202KT146 +C			
	D107	00D 276 0559 909	DAP202KT146 +C			
	D108	00D 276 0560 901	DAN202KT146 +C			
	D109	00D 276 0858 901	HZM6.2Z4MWA			*
	D401,402	00D 276 0559 909	DAP202KT146 +C			
	D403,404	00D 276 0560 901	DAN202KT146 +C			
	D405	00D 276 0559 909	DAP202KT146 +C			
	D406	00D 276 0560 901	DAN202KT146 +C			
	ZD101	00D 276 0683 943	UDZS3.6B-TE17			
	LD101-103	00M HI1 0101 210	SML-310LT			
<b>RESISTORS GROUP</b>						
	R153	00D 247 2029 905	RM73B--562FT			
	R280	nsp	CK73F1H103ZT +1608			
	R292	nsp	CK73F1H103ZT +1005			
	R402	nsp	RM73B--103FT +1608			
	R403	00D 247 2029 905	RM73B--562FT			
<b>CAPACITORS GROUP</b>						
	C101	nsp	CK73F1E104ZT +1608			
	C102	nsp	CK73B1H103KT (1608) +1608			
	C103	nsp	CK73B1E104KT +1608			
	C104	nsp	CC73CH1H470JT +1608			

Ref. No.	Part No.	Part Name	Remarks	Q'ty	New
C105	nsp	CK73B1E104KT +1608			
C106	nsp	CK73B1H103KT (1608) +1608			
C107	nsp	CK73F1E104ZT +1608			
C108,109	nsp	CK73B1E104KT +1608			
C110,111	nsp	CK73B1H103KT (1608) +1608			
C112	nsp	CK73F1E104ZT +1608			
C113	nsp	CK73B1A105KT +1608			
C114-117	nsp	CK73F1C104ZT +1005			
C118	00D 254 4464 951	CE67C0J220MT(MV-B) +REF			
C119,120	nsp	CK73F1C104ZT +1005			
C121	00D 276 0870 905	HVC375B			*
C122	nsp	CC73CH1H220JT +1608			
C123	00D 276 0870 918	HVC376B			*
C124	nsp	CK73B1E104KT +1608			
C125	nsp	CC73CH1H7R0DT +1608			
C126	nsp	CK73B1E104KT +1608			
C127	nsp	CC73CH1H8R0DT +1608			
C128	00D 254 4464 951	CE67C0J220MT(MV-B) +REF			
C129	nsp	CC73CH1H8R0DT +1608			
C130	nsp	CK73B1E104KT +1608			
C131	nsp	CK73F1E104ZT +1608			
C132,133	nsp	CK73F1C104ZT +1005			
C134	nsp	CK73B1H103KT (1608) +1608			
C135,136	nsp	CK73F1C104ZT +1005			
C137	00D 254 4464 951	CE67C0J220MT(MV-B) +REF			
C138	nsp	CK73F1C104ZT +1005			
C139	nsp	CK73B1H332KT +1608			
C140-142	nsp	CK73F1C104ZT +1005			
C143	nsp	CK73B1H332KT +1608			
C144,145	nsp	CK73F1C104ZT +1005			
C146	nsp	CK73B1H332KT +1608			
C147,148	nsp	CK73F1C104ZT +1005			
C149	nsp	CK73B1H332KT +1608			
C150,151	nsp	CK73F1C104ZT +1005			
C152	nsp	CK73B1H332KT +1608			
C153	nsp	CK73F1C104ZT +1005			
C154	nsp	CK73B1H332KT +1608			
C155,156	nsp	CK73F1C104ZT +1005			
C157	00M DK2 6476 010	GRM32EB31C476KE15L			
C158-171	00D 257 5009 974	CK73F1C104ZT +1005			
C172	00D 254 4464 951	CE67C0J220MT(MV-B) +REF			
C173-208	nsp	CC73CH1H470JT +1608			
C209,210	00D 257 4018 908	CE67C1A100MT(PXA)			
C211-213	nsp	CK73F1C104ZT +1005			
C214	nsp	CK73F1E104ZT +1608			
C215	nsp	CK73B1H103KT (1608) +1608			
C216	nsp	CK73B1E104KT +1608			
C401	nsp	CK73F1E104ZT +1608			
C402	nsp	CK73F1H103ZT +1608			
C403	nsp	CK73F1E104ZT +1608			
C404	nsp	CK73F1H103ZT +1608			
C405	nsp	CK73B1E104KT +1608			
C406	00D 254 4655 906	CE67C0J220MT (RV2) +REF			
C407	nsp	CK73B1E104KT +1608			
C408	00D 254 4656 934	CE67C1A470MT (RV2)			
C409	nsp	CK73B1H103KT (1608) +1608			

Ref. No.	Part No.	Part Name	Remarks	Q'ty	New
C410-412	nsp	CK73B1A106KT +2125			
C413	00D 257 0521 949	CK73B1A474KT			
C414	nsp	CK73F1E104ZT +1608			
C415	nsp	CK73B1E223KT +1608			
C418-423	nsp	CK73F1E104ZT +1608			
C424	nsp	CK73B1E104KT +1608			
C425-432	nsp	CK73B1H103KT (1608) +1608			
C433	nsp	CK73B1E104KT +1608			
<b>OTHERS PARTS GROUP</b>					
AS101	00D 207 0020 005	IC_SOCKET1			
CX045	00D 205 1295 105	USB(B)CON. FLANGE			*
CX061	nsp	6P CONN.BASE(KR-PH)			
CX101	nsp	8P MD BASE (F-S)			
CX111	00D 205 1377 007	11P FFC BASE(9610SB)			
CX141	00M YJ0 7026 260	BM14B-SRSS-TB			
CX271,272	00D 205 1100 083	27P FFC BASE (P=1)			
FB101-103	00D 235 0158 901	CHIP BEADS(18PG121) +1608			
FB104,105	00D 235 0130 903	CHIP EMIFIL(11A121) +1608			
FB106-110	00D 235 0158 901	CHIP BEADS(18PG121) +1608			
FB401,402	00D 235 0158 901	CHIP BEADS(18PG121) +1608			
JK401-403	00D 204 8416 007	MINI JACK			
L401	00D 235 0183 905	INDUCTOR 2.2UH(7E06N)			
W101	nsp	M3 SCREW TERMINAL			
X101	00D 399 1051 903	X-TAL(16.9344/HC-49)			
X102	00D 399 1127 908	FCX-03(48MHz)			*
X103	00D 399 1030 908	HC-49/U03C24.576MHZ			

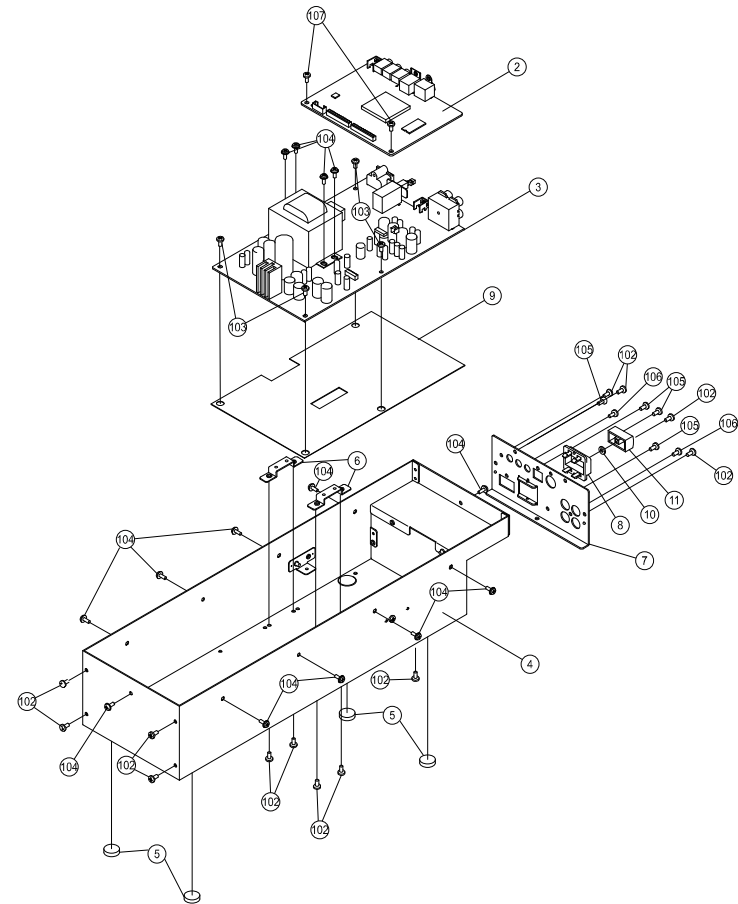
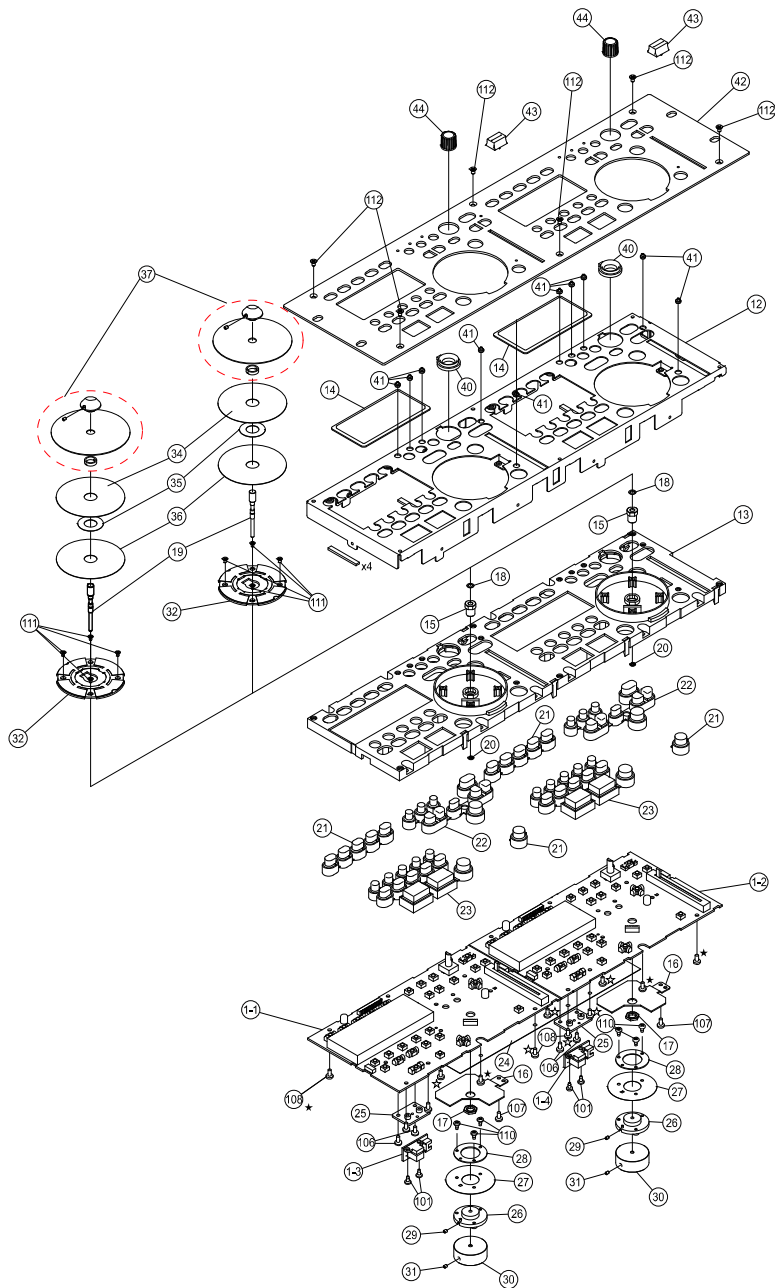
## GU-3850/E3/E2 POWER P.W.B. UNIT ASS'Y


Ref. No.	Part No.	Part Name	Remarks	Q'ty	New
<b>SEMICONDUCTORS GROUP</b>					
IC801	00D 263 0809 006	NJM7805FA(S)			
IC802,803	00D 262 3692 903	PCM1781			
IC804,805	00D 263 0896 909	NJM2068MD-TE1 +C			
IC901	00D 262 3765 005	BD9703T-V5			*
IC902	00D 262 3698 004	BA33BC0WT-V5			
IC903	00D 263 0454 901	M51957BFP(TP1)			
IC904	00D 263 0810 008	NJM7808FA(S)			
IC905	00D 263 0503 001	NJM7908FA			
TR801	00D 269 0082 902	DTC114EKT96 +C			
TR802	00D 269 0083 901	DTA114EKT96 +C			
TR803	00D 269 0082 902	DTC114EKT96 +C			
TR808	00D 269 0083 901	DTA114EKT96 +C			
TR809-812	00D 273 0460 905	KTC2875-B-RTK/P			
TR903	00D 269 0238 905	DTA123EKA			
TR904	00D 274 0158 003	2SD1763A(D)			
TR905,906	00D 269 0088 906	DTC114TKT96 +C			
TR907	00D 269 0082 902	DTC114EKT96 +C			
D801,802	00D 276 0717 903	1SS355 TE-17 +C			
D901-908	00D 276 0704 903	1SR35-400A(T93X)			
D909	00D 276 0717 903	1SS355 TE-17 +C			
D910	00D 276 0684 900	RB051L-40TE25 +C			
D912,913	00D 276 0796 908	1SR139-400T-31			
D914-917	00D 276 0704 903	1SR35-400A(T93X)			
ZD801	00D 276 0683 901	UDZS5.6B-TE17 +C			
ZD901	00D 276 0760 976	MTZJ6.8B T77			
ZD903	00D 276 0760 947	MTZJ5.1B T77			
ZD904	00D 276 0762 945	MTZJ36B T77			
<b>RESISTORS GROUP</b>					
R902	00D 247 2029 918	RM73B--622FT			
R903	00D 247 2035 915	RM73B--152DT(1608)			
R908	00D 247 2029 905	RM73B--562FT			
R909	00D 247 2045 963	RM73B--222FT_1608			
<b>CAPACITORS GROUP</b>					
C801	nsp	CK73F1E104ZT +1608			
C803	00D 254 4541 955	CE04W1E221MT SMG/RE3			
C804	nsp	CK73F1H103ZT +1608			
C805	nsp	CK73F1E104ZT +1608			
C806-810	00D 254 4536 915	CE04W1A470MT SMG/RE3			
C811-814	nsp	CK73F1E104ZT +1608			
C815-818	00M OA4 7601 620	47UFM 16V RA-2			
C819-822	00D 257 0509 961	CK73B1H152KT +1608			
C823-826	nsp	CC73CH1H331JT +1608			
C827-830	nsp	CK73F1E104ZT +1608			
C831-834	00M OA4 7702 520	470UF 25V M RA-2			
C835-838	00M OA4 7601 620	47UFM 16V RA-2			
C839-842	nsp	CC73CH1H121JT +1608			
C847	nsp	CK73B1E104KT +1608			
C848	nsp	CK73B1H103KT (1608) +1608			
C901	nsp	CK73F1E104ZT +1608			
C902	nsp	CK73F1H103ZT +1608			
C903	00D 253 8022 707	CK45F2EAC103MC			


	Ref. No.	Part No.	Part Name	Remarks	Q'ty	New
	C904	nsp	CK73F1E104ZT +1608			
	C905	nsp	CK73F1H103ZT +1608			
	C906	00D 254 4536 915	CE04W1A470MT SMG/RE3			
	C907-911	nsp	CK73B1E104KT +1608			
⚠	C912,913	00D 253 8029 713	CK45F2EAC471KC(KX)			
⚠	C914	00D 256 8038 004	CF99--2EAC104M			
	C920	00D 254 4814 006	CE04W1E472MC(KMG)			*
	C921	nsp	CK73F1E104ZT +1608			
	C922	00D 254 4525 735	CE04W1H221MC SMG/RE3			
	C925	00D 254 4712 700	CE04W1C471MC JC5(KY)			
	C927	00D 254 4538 913	CE04W1C220MT SMG/RE3			
	C928,929	00D 257 0516 954	CK73B1E104KT +1608			
	C930	00D 254 4536 928	CE04W1A101MT SMG/RE3			
	C931	00D 254 4813 007	CE04W1J331MC(KMG)			*
	C932	nsp	CK73B1E104KT +1608			
	C933,934	00D 254 4541 942	CE04W1E101MT SMG/RE3			
	C935	nsp	CK73B1A224KT +1608			
	C936	00D 254 4536 928	CE04W1A101MT SMG/RE3			
	C937,938	nsp	CK73B1E104KT +1608			
	C939	00D 254 4814 019	CE04W1E102MC(KMG)			*
	C940-942	nsp	CK73F1E104ZT +1608			
	C943	00D 254 4814 019	CE04W1E102MC(KMG)			*
	C944	nsp	CK73F1E104ZT +1608			
	C945,946	00M OA4 7601 620	47 UF M 16V RA-2			
	C947,948	00M OA4 7702 520	470UF 25V M RA-2			
	C949	nsp	CK73B1H105KT			
	C950,951	00D 254 4538 942	CE04W1C101MT SMG/RE3			
<b>OTHERS PARTS GROUP</b>						
	AS902	nsp	CONDENSER COVER			
	CW061	00D 204 0583 022	6P KR-DA CON.CORD			*
	CX041,042	nsp	4P CONN.BASE(KR-PH)			
	CY022	00D 203 3905 015	YKE31-0148N	for JP,E2		*
	CY022	00D 203 3905 002	YKE31-0149N	for E3		*
	CY111	00D 205 1260 017	11P FFC BASE(9610SA)			
⚠	F901	00D 206 1035 054	FUSE 1.6A (T)	for JP		
⚠	F901	00D 206 1087 073	FUSE (ET1.6A)	for E3,E2		
	FF901	nsp	FUSE CLIP(TAPE)			
	FH901	nsp	FUSE CLIP(TAPE)			
	JK801	00D 204 8540 009	4P PIN JACK			
	L901	00D 235 0157 009	PLA10AN7720R7D2B			
	L902	00D 235 0140 919	COIL LHL10TB470KT			
⚠	S901	00D 212 1030 009	POWER SWITCH (TV-5)			
	W901	nsp	M3 SCREW TERMINAL			
	RB901	00M HV0 0033 020	#ERZV07D471			
⚠	T901	00D 233 6608 006	POWER TRANS			*



EXPLODED VIEW



**WARNING:**  
Parts marked with this symbol  have critical characteristics.  
Use **ONLY** replacement parts recommended by the manufacturer.

印の部分は安全を維持するために重要な部品です。従って交換時は必ず指定の部品を使用してください。

## PARTS LIST OF EXPLODED VIEW

\* 本表に "nsp" と記載されている部品は供給できません。

\* Parts for which "nsp" is indicated on this table cannot be supplied.

\* 本表に "nsp" と記載されている基板 ASS'Y は供給できません。基板 ASS'Y の修理の際には基板部品表を確認のうえ、交換部品を発注してください。

\* P.W.B. ASS'Y for which "nsp" is indicated on this table cannot be supplied. When repairing the P.W.B. ASS'Y, check the board parts table and order replacement parts.

\* 本表に記載されている部品は、補修用部品のため製品に使用している部品とは一部、形状、寸法などが異なる場合があります。

\* The parts listed below are for maintenance only, might differ from the parts used in the unit in appearances or dimensions.

**Note:** The symbols in the column "Remarks" indicate the following destinations.

E3 : U.S.A. & Canada model

E2 : Europe model

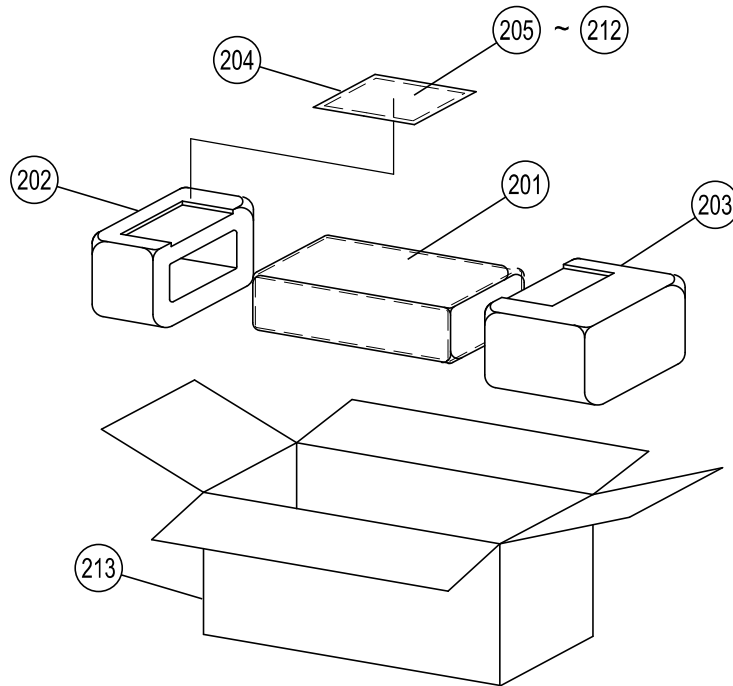
JP : Japan model

Ref. No.	Part No.	Part Name	Remarks	Q'ty	New
1	nsp	PANEL P.W.B. UNIT ASS'Y	GU-3848	1	*
1-1	-	PANEL 1 UNIT		1	*
1-2	-	PANEL 2 UNIT		1	*
1-3	-	SENSOR 1 UNIT		1	*
1-4	-	SENSOR 2 UNIT		1	*
★ 1-5	-	DISC 1 UNIT		1	*
★ 1-6	-	DISC 2 UNIT		1	*
2	00D GU-33849	MAIN UNIT P.W.B. UNIT ASS'Y		1	*
3	nsp	POWER P.W.B. UNIT ASS'Y	GU-3850E2:for E2	1	*
3	nsp	POWER P.W.B. UNIT ASS'Y	GU-3850E3:for E3	1	*
3	nsp	POWER P.W.B. UNIT ASS'Y	GU-3850:for JP	1	*
4	00D 105 1697 005	CASE ASSY		1	*
5	nsp	FOOT SHEET		4	*
6	nsp	TRANS BRACKET		2	*
7	00D 105 1699 100	REAR PANEL		1	*
8	00D 146 2433 007	P.SW KNOB GUIDE		1	*
9	nsp	INSULATOR		1	*
10	nsp	SPACER		1	*
11	00D 113 1689 001	P.SW KNOB		1	*
12	nsp	MAIN BRACKET		1	*
13	nsp	INNER PANEL ASSY		1	*
14	00D 143 1303 100	WINDOW		2	*
15	00D 443 1627 003	BEARING		2	*
16	nsp	GND BRACKET		2	*
17	0RD 477 0330 103	8 N-Z		2	*
18	0RD 475 1161 016	WASHER		2	*
19	00D 422 0687 005	SHAFT		2	*
20	0RD 476 1003 009	3 E RING		2	*
21	00D 113 2123 003	RUBBER BUTTON 1		2	*
22	00D 113 2124 002	RUBBER BUTTON 2		2	*
23	00D 113 2125 001	RUBBER BUTTON 3		2	*
24	nsp	PROTECT SHEET		1	*
25	00D 441 2014 004	T.SENSOR BASE		2	*
26	00D 421 0838 013	WHEEL ASSY (2)		2	*
27	00D 421 0836 002	SCALE DISC		2	*
28	00D 441 2025 006	WHEEL BRACKET		2	*
29	0RD 474 4310 007	2X2.5 BSS		2	*
30	00D 421 0860 007	JOG WEIGHT ASSY		2	*
31	0RD 474 4300 017	2.6X3 BSS		2	*
32	00D SPK 580	TOUCH SENSOR UNIT		1	*
34	00D 421 0849 028	SLIP MAT(B)		4	*
35	00D 421 0849 057	SLIP MAT		2	*
36	00D 421 0849 031	SLIP MAT		2	*
37	00D GEN 8652	JOG DISC UNIT		2	*
40	00D 143 1302 004	LENS 2		2	*
41	00D 143 1268 203	LENS 2		10	*
42	00D 144 3034 108	TOP PANEL		1	*

Ref. No.	Part No.	Part Name	Remarks	Q'ty	New
43	00D 113 2078 103	SLIDE KNOB		2	
44	00D 112 1024 100	KNOB		2	*
★ 45	00D 009 0290 037	11P FFC(1.0) L=60		3	
★ 46	00D 009 0290 053	27P FFC(1.0) L=200		1	*
★ 47	00D 009 0290 040	27P FFC(1.0) L=400		1	*
★ 48	00D 009 0290 011	20P FFC(1.0) L=170		2	*
★ 49	0RD 445 0048 003	CORD HOLDER (L76)		3	
★ 50	nsp	R. SHEET E2 SUB ASSY	for E2	1	*
★ 51	nsp	R. SHEET E3 SUB ASSY	for E3	1	*
★ 52	nsp	R. SHEET J SUB ASSY	for JP	1	*
★ 53	nsp	C-UL MARK US	for E3	1	
★ 54	nsp	FCC/CLASS B CAUTION	for E3	1	
<b>SCREWS AND WASHERS</b>					
101	0RD 473 7505 010	2.6X6 CBTS (P)-Z		4	
102	0RD 473 7002 034	3X6 CBTS (S)-B		15	
103	0RD 471 3303 016	3X6 CBS-Z		4	
104	0RD 473 8007 083	3X8 CUP SCREW		14	
105	0RD 471 3303 029	3X6 CBS-B		4	
106	0RD 473 7508 017	3X10 CBTS (P)-B		6	
107	0RD 473 7002 005	3X6 CBTS(S)-Z		4	
108	0RD 473 7002 018	3X8 CBTS (S)-Z		10	
109	0RD 473 7500 015	3X8 CBTS (P)-Z		16	
110	0RD 473 7506 019	2X6 CBTS (P)-Z		6	
111	0RD 473 7520 008	2.6X6 CFTS(P)-B		8	
112	0RD 471 2801 030	3X5 CFS-B		6	

△  
2  
△  
2

## PACKING VIEW



## PARTS LIST OF PACKING & ACCESSORIES

\* 本表に "nsp" と記載されている部品は供給できません。

\* Parts for which "nsp" is indicated on this table cannot be supplied.

\* 本表に記載されている部品は、補修用部品のため製品に使用している部品とは一部、形状、寸法などが異なる場合があります。

\* The parts listed below are for maintenance only, might differ from the parts used in the unit in appearances or dimensions.

**Note:** The symbols in the column "Remarks" indicate the following destinations.

E3 : U.S.A. & Canada model

E2 : Europe model

JP : Japan model

	Ref. No.	Part No.	Part Name	Remarks	Q'ty	New
	201	nsp	STYRENE PAPER		1	*
	202	00D 503 1559 004	CUSHION 1		1	*
	203	00D 503 1560 006	CUSHION 2		1	*
	204	nsp	VINYL BAG		1	
	205	00D 511 4693 007	INST.MANUAL		1	*
	206	00D 511 4694 006	INST.MANUAL(PC-APPL)		1	*
	207	nsp	PCDJ SOFT P. ASSY		1	*
	208	00D 203 2442 003	2P PIN CORD		2	
	209	00M ZD0 1800 130	USB(A)-USB(B) CABLE		1	
⚠	210	00D 206 2253 000	AC CORD E2 INLET (V)	for E2	1	
⚠	210	00D 206 2254 009	AC CORD E3 INLET (V)	for E3	1	
⚠	210	00D 206 2228 006	AC CORD SET(2P-VCTFK)	for JP	1	
	211	nsp	S.S.LIST COM.(EX)		1	
	211	nsp	SERVICE STATION LIST	for JP	1	
	212	nsp	WARRANTY(COM.1Y.)	for E3	1	
	212	nsp	WARRANTY SUB ASSY	for JP	1	*
	213	00D 501 2380 001	CARTON CASE		1	*
	213	00D 501 2381 000	CARTON CASE	for JP	1	*
	214	nsp	CONT.CARD(L)SUB ASSY		1	
	215	nsp	BAR CODE LABEL ASSY		1	