

PARTS LIST OF P.W.B. UNIT

* Parts for which "nsp" is indicated on this table cannot be supplied.

* The parts listed below are for maintenance only, might differ from the parts used in the unit in appearances or dimensions.

MAIN PCB ASS'Y

Ref. No.	Part No.	Part Name	Remarks	Q'ty	New
SEMICONDUCTORS GROUP					
IC101	00D9410045805	IC(CXD3059)		417-385-760	
IC102	00D9410045902	IC(BA6392FPE2,28PINMH SOP TYPE)		417-CDN24-340	
IC103	941239001650S	SERVO IC ASS'Y (MC9S08AW32CPUE,LQFP)		704-S700-8519	
IC104	00D9580076209	IC(74HC04/74HC04DT,SOP-14)		417-DCM370E3-378	
IC105	00D2622490902	IC(PCM1716E,28PIN,SOP)		417-DCM270X-327A	
IC107	941239001620S	REVERSIZLE MOTOR DRIVER(BA6218/BA6418N)		417-KC720-049	
IC108	941239001590S	IC(BA15218,DIP-8)		417-AK4-644	
IC301	941239001610S	IC(BA033T/FP 3.3V TO220FP 3PIN)		417-HV3500K-253	
IC302	00D9410045601	IC(BD4745G/BD4745G-TR,SMP5)		417-HDJ2000-503	
Q101	00D9587057302	TRANSISTOR (2SA1037AKT146R/2SA1037AKR)		416-CDN88-045	
Q102	00D9410046503	TRANSISTOR(DTC124EKAT146/DTC124EKA)		416-CDN88-044	
Q103	00D9587057700	TRANSISTOR(DTC114EKAT146,SMT3)		416-HDJ2460-234	
Q104	90M-BA001610R	CHIP TRANSISTOR(DTA124TKAT146)		416-HDJ9700-210	
Q105-108	00D9410046406	TRANSISTOR(2SC4695)		416-DAIA-273	
Q301	00D9580055107	TRANSISTOR (2SA1015/2SA1015-GR,TAPING)		416-KE200X-021	
Q302	00D9587057603	TRANSISTORS(2SC3330U-AC)		416-DJ1900-023	
D01-04	00D9410046901	SWITCHING DIODE(1SS355)		414-CD1000-075	
D104,105	00D9410046901	SWITCHING DIODE(1SS355)		414-CD1000-075	
D301-305	00D9410046901	SWITCHING DIODE(1SS355)		414-CD1000-075	
U1	00D9410048909	IC(SCF5249LAG120,QFP TQ-144)		417-MCDS4-736	
U2	00D9410049005	IC(K4S641632E-TC/K4S641632F/ K4S641632H-TC75,TSOP-54)		417-CDN88-501	
U3	941239001640S	BUFFER IC ASS'Y (M29W800B70N6.SMD)		704-S700-8518	
U5	00D9580048800	IC(TC74HCU04AFN/ TC74HCU04FAN(ELP.M)SOP-14)		417-DJ150-419	
U6	00D9580076209	IC(74HC04/74HC04DT,SOP-14)		417-DCM370E3-378	
U7	00D9410049209	IC(BA18BC0FP-E2,3PIN,TO-252-3,SMD)		417-MCDS4-737	
U8	90M-HC109690R	BUFFER IC ASS'Y(CHECK SUM:73E4/1) (XC9536XL-10VQ44C,SMD)		704-M510-5564	
RESISTORS GROUP					
R01	nsp	CHIP RESISTOR(1M OHM,1/10W,0603,J,TP ,50V)		412-CDVD2001-546	
R02,03	nsp	CHIP RESISTOR(4.7K OHM,1/10W, 0603,J,TP,50V)		412-CDVD2001-523	
R09-11	nsp	CHIP RESISTOR(220 OHM,1/10W,0603 ,J,TP 50V)		412-CDVD2001-521	
R12	nsp	CHIP RESISTOR(0 OHM,1/10W, 0603,J,TP,50V)		412-CDVD2001-552	
R14,15	nsp	CHIP RESISTOR(100 OHM,1/10W, 0603,J,TP,50V)		412-CDVD2001-530	
R16	nsp	CHIP RESISTOR(0 OHM,1/10W, 0603,J,TP,50V)		412-CDVD2001-552	
R19	nsp	CHIP RESISTOR(10K OHM,1/10W,0603,J,TP ,50V)		412-CDVD2001-534	
R26,27	nsp	CHIP RESISTOR(10K OHM,1/10W,0603,J,TP ,50V)		412-CDVD2001-534	
R29	nsp	CHIP RESISTOR(270 OHM,1/10W,0603,J,TP ,50V)		412-007USB-698	
R30,31	nsp	CHIP RESISTOR(0 OHM,1/10W, 0603,J,TP,50V)		412-CDVD2001-552	
R33	nsp	CHIP RESISTOR(470 OHM,1/10W, 0603,J,TP,50V)		412-CDVD2001-545	
R101	nsp	CHIP RESISTOR(22 OHM,1/10W,0603,F,TP ,50V)		412-CDVD2001-554	
R102	nsp	CHIP RESISTOR(11KOHM,1/10W,J,TP 0603,50V)		412-900-1012	
R103	nsp	CHIP RESISTOR470K OHM,1/10W, 0603,J,TP,50V)		412-007USB-707	

Ref. No.	Part No.	Part Name	Remarks	Q'ty	New
R104	nsp	CHIP RESISTOR(10K OHM,1/10W,0603,J,TP ,50V)		412-CDVD2001-534	
R105	nsp	CHIP RESISTOR(100K OHM,1/10W,0603 ,J,TP ,50V)		412-CDVD2001-537	
R106,127	nsp	CHIP RESISTOR(1M OHM,1/10W,0603,J,TP ,50V)		412-CDVD2001-546	
R107	nsp	CHIP RESISTOR470K OHM,1/10W, 0603,J,TP,50V)		412-007USB-707	
R108	nsp	CHIP RESISTOR(3.3K OHM,1/10W, 0603,J,TP,50V)		412-007USB-699	
R109	nsp	CHIP RESISTOR(1K OHM,1/10W, 0603,J,TP,50V)		412-CDVD2001-540	
R110	nsp	CHIP RESISTOR(4.7K OHM,1/10W, 0603,J,TP,50V)		412-CDVD2001-523	
R111	nsp	CHIP RESISTOR(0 OHM,1/10W, 0603,J,TP,50V)		412-CDVD2001-552	
R112	nsp	CHIP RESISTOR470K OHM,1/10W, 0603,J,TP,50V)		412-007USB-707	
R115,116	nsp	CHIP RESISTOR(15K OHM,1/10W,0603,J,TP ,50V)		412-007USB-687	
R117	nsp	CHIP RESISTOR(10K OHM,1/10W,0603,J,TP ,50V)		412-CDVD2001-534	
R119	nsp	CHIP RESISTOR(150K OHM,1/10W,0603,J,TP ,50V)		412-007USB-688	
R120	nsp	CHIP RESISTOR(47K OHM,1/10W,0603,J,TP ,50V)		412-CDVD2001-532	
R121-124	nsp	CHIP RESISTOR(10K OHM,1/10W,0603,J,TP ,50V)		412-CDVD2001-534	
R126	nsp	CHIP RESISTOR(1K OHM,1/10W, 0603,J,TP,50V)		412-CDVD2001-540	
R128	nsp	CHIP RESISTOR(22 OHM,1/10W,0603,F,TP ,50V)		412-CDVD2001-554	
R129	nsp	CHIP RESISTOR(68OHM,1/10W,J,TP 0603,50V)		412-900-1016	
R133,134	nsp	CHIP RESISTOR(10K OHM,1/10W,0603,J,TP ,50V)		412-CDVD2001-534	
R136	nsp	CHIP RESISTOR(10K OHM,1/10W,0603,J,TP ,50V)		412-CDVD2001-534	
R137-139	nsp	CHIP RESISTOR(220 OHM,1/10W,0603 ,J,TP 50V)		412-CDVD2001-521	
R140	nsp	CHIP RESISTOR(10 OHM,1/10W,J,TP 0603,50V)		412-810-966	
R153,154	nsp	CHIP RESISTOR(10K OHM,1/10W,0603,J,TP ,50V)		412-CDVD2001-534	
R155,156	nsp	CHIP RESISTOR(5.6K OHM,1/10W,0603,J,TP ,50V)		412-007USB-701	
R157,158	nsp	CHIP RESISTOR(39K OHM,1/10W,0603,J,TP ,50V)		412-007USB-706	
R159-170	nsp	CHIP RESISTOR(100K OHM,1/10W,0603 ,J,TP ,50V)		412-CDVD2001-537	
R161,162	nsp	CHIP RESISTOR(150 OHM,1/10W,0603,J,TP ,50V)		412-CD900-795	
R163,164	nsp	CHIP RESISTOR(2.7K OHM,1/10W,V,J,TP,50V)		412-007USB-677	
R165,166	nsp	CHIP RESISTOR(150 OHM,1/10W,0603,J,TP ,50V)		412-CD900-795	
R167,168	nsp	CHIP RESISTOR(2.7K OHM,1/10W,V,J,TP,50V)		412-007USB-677	
R169	nsp	CARBON FILM RESISTOR(10 OHM,1/4W,J,T-52)		412-BJ2300I-468	
R171-173	nsp	CHIP RESISTOR(0 OHM,1/10W, 0603,J,TP,50V)		412-CDVD2001-552	
R174	nsp	CHIP RESISTOR(22 OHM,1/10W,0603,F,TP ,50V)		412-CDVD2001-554	
R175	nsp	CHIP RESISTOR(100 OHM,1/10W, 0603,J,TP,50V)		412-CDVD2001-530	
R176	nsp	CHIP RESISTOR(220 OHM,1/10W,0603 ,J,TP 50V)		412-CDVD2001-521	
R178,179	nsp	CHIP RESISTOR(100 OHM,1/10W, 0603,J,TP,50V)		412-CDVD2001-530	
R181-183	nsp	CHIP RESISTOR(100 OHM,1/10W, 0603,J,TP,50V)		412-CDVD2001-530	
R184	nsp	CHIP RESISTOR(10 OHM,1/10W,J,TP 0603,50V)		412-810-966	
R185	nsp	CHIP RESISTOR(100 OHM,1/10W, 0603,J,TP,50V)		412-CDVD2001-530	
R187,188	nsp	CHIP RESISTOR(10K OHM,1/10W,0603,J,TP ,50V)		412-CDVD2001-534	
R189-R191	nsp	CHIP RESISTOR(220 OHM,1/10W,0603 ,J,TP 50V)		412-CDVD2001-521	
R192	nsp	CHIP RESISTOR(4.7OHM,1/10W,J,TP 0603,50V)		412-007USB-676	
R301	nsp	CHIP RESISTOR(100K OHM,1/10W,0603 ,J,TP ,50V)		412-CDVD2001-537	
R302	nsp	CHIP RESISTOR(10K OHM,1/10W,0603,J,TP ,50V)		412-CDVD2001-534	
R303	nsp	CHIP RESISTOR(220 OHM,1/10W,0603 ,J,TP 50V)		412-CDVD2001-521	
R304-306	nsp	CHIP RESISTOR(10K OHM,1/10W,0603,J,TP ,50V)		412-CDVD2001-534	
R307,308	nsp	CHIP RESISTOR(39K OHM,1/10W,0603,J,TP ,50V)		412-007USB-706	
RB01	90M-BW000420R	THICK FILM RESISTOR NETWORKS (10K OHM,1/8W J,RA TYPE,7R8P)		412-DJ1-420	
CAPACITORS GROUP					
C001	nsp	AC SAFETY CAPACITOR(0.01uF/250V,M,BULK,Y5V)		413-S250-747	
C01-14,	nsp	CHIP CAPACITOR(0.1uF/50V,Z,0603 TYPE,Y5V)		413-DCM280-773	
C16,C17	nsp	CHIP CAPACITOR(15pF/50V,J,0603 TYPE,NPO)		413-007USB-781	
C18-23	nsp	CHIP CAPACITOR(0.1uF/50V,Z,0603 TYPE,Y5V)		413-DCM280-773	
C25	nsp	CHIP CAPACITOR(0.1uF/50V,Z,0603 TYPE,Y5V)		413-DCM280-773	
C26	00D9587054907	ELEC. CAPACITOR (100uF/10V,M,105 °C ,TAPING 5*7,MINI)		413-HMA2200-5017	

Ref. No.	Part No.	Part Name	Remarks	Q'ty	New
C27	nsp	CHIP CAPACITOR(0.1uF/50V,Z,0603 TYPE,Y5V)		413-DCM280-773	
C28	00D9587032709	ELEC. CAPACITOR (220uF/10V,M,105 °C ,TAPING 6.3*7,MINI)		413-HT801K-192	
C29-31	nsp	CHIP CAPACITOR(0.1uF/50V,Z,0603 TYPE,Y5V)		413-DCM280-773	
C33	nsp	CHIP CAPACITOR(0.1uF/50V,Z,0603 TYPE,Y5V)		413-DCM280-773	
C39	nsp	CHIP CAPACITOR(0.1uF/50V,Z,0603 TYPE,Y5V)		413-DCM280-773	
C66-69	nsp	CHIP CAPACITOR(470pF/50V,J,0603 TYPE,NPO)		413-007USB-786	
C101	nsp	CHIP CAPACITOR(0.1uF/50V,Z,0603 TYPE,Y5V)		413-DCM280-773	
C102,103	00D9587054907	ELEC. CAPACITOR (100uF/10V,M,105 °C ,TAPING 5*7,MINI)		413-HMA2200-5017	
C104	nsp	CHIP CAPACITOR(0.1uF/50V,Z,0603 TYPE,Y5V)		413-DCM280-773	
C105	00D9587054907	ELEC. CAPACITOR (100uF/10V,M,105 °C ,TAPING 5*7,MINI)		413-HMA2200-5017	
C107	00D9587056400	ELEC. CAPACITOR (22uF/16V,M,105 °C ,TAPING 4*7,MINI)		413-SPPW3-236	
C108	nsp	CHIP CAPACITOR(0.1uF/50V,Z,0603 TYPE,Y5V)		413-DCM280-773	
C109-111	nsp	CHIP CAPACITOR(0.1uF/50V,Z,0603 TYPE,Y5V)		413-DCM280-773	
C112	00D9587056400	ELEC. CAPACITOR (22uF/16V,M,105 °C ,TAPING 4*7,MINI)		413-SPPW3-236	
C113	nsp	CHIP CAPACITOR(0.1uF/50V,Z,0603 TYPE,Y5V)		413-DCM280-773	
C114	nsp	CHIP CAPACITOR(330pF/50V,J,0603 TYPE,NPO)		413-900-925	
C115	nsp	CHIP CAPACITOR(100pF/50V,J,0603 TYPE,NPO)		413-DCM280-767	
C116	nsp	CHIP CAPACITOR(0.01uF/50V,K,0603 TYPE,X7R)		413-DCM280-771	
C117	nsp	CHIP CAPACITOR(0.1uF/50V,Z,0603 TYPE,Y5V)		413-DCM280-773	
C118	nsp	CHIP CAPACITOR(1000pF/50V,K,0603 TYPE,X7R)		413-DCM280-768	
C119	nsp	CHIP CAPACITOR(1500pF/50V,K,0603 TYPE,X7R)		413-DCM280-769	
C120,121	nsp	CHIP CAPACITOR(0.1uF/50V,Z,0603 TYPE,Y5V)		413-DCM280-773	
C122	00D9587056400	ELEC. CAPACITOR (22uF/16V,M,105 °C ,TAPING 4*7,MINI)		413-SPPW3-236	
C123	nsp	CHIP CAPACITOR(0.1uF/50V,Z,0603 TYPE,Y5V)		413-DCM280-773	
C124	00D9587056206	ELEC. CAPACITOR (1uF/50V,M,105 °C ,TAPING 4*7,MINI)		413-SPPW3-234	
C125-127	nsp	CHIP CAPACITOR(0.1uF/50V,Z,0603 TYPE,Y5V)		413-DCM280-773	
C129,130	nsp	CHIP CAPACITOR(0.1uF/50V,Z,0603 TYPE,Y5V)		413-DCM280-773	
C131,132	00D9587056303	ELEC. CAPACITOR (10uF/25V,M,105 °C ,TAPING 4*7,MINI)		413-SPPW3-235	
C133-136	nsp	CHIP CAPACITOR(0.1uF/50V,Z,0603 TYPE,Y5V)		413-DCM280-773	
C137	nsp	CHIP CAPACITOR(0.1uF/50V,Z,0603 TYPE,Y5V)		413-DCM280-773	
C138	nsp	CHIP CAPACITOR(0.1uF/50V,Z,0603 TYPE,Y5V)		413-DCM280-773	
C139	00D9587056400	ELEC. CAPACITOR (22uF/16V,M,105 °C ,TAPING 4*7,MINI)		413-SPPW3-236	
C140	941134001550S	ELEC. CAPACITOR(10uF/25V,M,105 °C ,TAPING 4*7)		413-DV300-5155	
C141	nsp	CHIP CAPACITOR(220pF/50V,0603,TYPE NPO)		413-007USB-787	
C142	nsp	CHIP CAPACITOR(0.01uF/50V,K,0603 TYPE,X7R)		413-DCM280-771	
C143,144	nsp	CHIP CAPACITOR(0.1uF/50V,Z,0603 TYPE,Y5V)		413-DCM280-773	
C145,146	nsp	CHIP CAPACITOR(1000pF/50V,K,0603 TYPE,X7R)		413-DCM280-768	
C149	nsp	CHIP CAPACITOR(47pF/50V,J,0603 TYPE,NPO)		413-007USB-784	
C150	nsp	CHIP CAPACITOR(0.01uF/50V,K,0603 TYPE,X7R)		413-DCM280-771	
C151	nsp	CHIP CAPACITOR(0.1uF/50V,Z,0603 TYPE,Y5V)		413-DCM280-773	
C152	nsp	CHIP CAPACITOR(1000pF/50V,K,0603 TYPE,X7R)		413-DCM280-768	
C155	nsp	CHIP CAPACITOR(0.1uF/50V,Z,0603 TYPE,Y5V)		413-DCM280-773	
C156	00D9587054907	ELEC. CAPACITOR (100uF/10V,M,105 °C ,TAPING 5*7,MINI)		413-HMA2200-5017	
C157	nsp	CHIP CAPACITOR(220pF/50V,0603,TYPE NPO)		413-007USB-787	
C159	nsp	CHIP CAPACITOR(0.1uF/50V,Z,0603 TYPE,Y5V)		413-DCM280-773	
C160	00D9587054907	ELEC. CAPACITOR (100uF/10V,M,105 °C ,TAPING 5*7,MINI)		413-HMA2200-5017	
C161	00D9587056303	ELEC. CAPACITOR (10uF/25V,M,105 °C ,TAPING 4*7,MINI)		413-SPPW3-235	

Ref. No.	Part No.	Part Name	Remarks	Q'ty	New
C162	00D9587032709	ELEC. CAPACITOR (220uF/10V,M,105 °C ,TAPING 6.3*7,MINI)		413-HT801K-192	
C163,164	nsp	CHIP CAPACITOR(0.1uF/50V,Z,0603 TYPE,Y5V)		413-DCM280-773	
C165-168	00D9587056303	ELEC. CAPACITOR (10uF/25V,M,105 °C ,TAPING 4*7,MINI)		413-SPPW3-235	
C169,170	941139001560S	POLYESTER CAPACITOR(0.0012uF/50V,J,TAPING)		413-HV3423K-343	
C171,C172	nsp	CHIP CAPACITOR(82pF/50V,J,0603 TYPE,NPO)		413-007USB-827	
C174	nsp	CHIP CAPACITOR(0.022uF/50V,K,0603 TYPE,X7R)		413-DCM280-794	
C176	00D9587032709	ELEC. CAPACITOR (220uF/10V,M,105 °C ,TAPING 6.3*7,MINI)		413-HT801K-192	
C177,178	nsp	CHIP CAPACITOR(1000pF/50V,K,0603 TYPE,X7R)		413-DCM280-768	
C181	nsp	CHIP CAPACITOR(0.1uF/50V,Z,0603 TYPE,Y5V)		413-DCM280-773	
C182	nsp	CHIP CAPACITOR(220pF/50V,0603,TYPE NPO)		413-007USB-787	
C183	nsp	CHIP CAPACITOR(0.1uF/50V,Z,0603 TYPE,Y5V)		413-DCM280-773	
C184	nsp	CHIP CAPACITOR(0.1uF/50V,Z,0603 TYPE,Y5V)		413-DCM280-773	
C185,186	00D9587056303	ELEC. CAPACITOR (10uF/25V,M,105 °C ,TAPING 4*7,MINI)		413-SPPW3-235	
C187	nsp	CHIP CAPACITOR(0.1uF/50V,Z,0603 TYPE,Y5V)		413-DCM280-773	
C188	00D9587054907	ELEC. CAPACITOR (100uF/10V,M,105 °C ,TAPING 5*7,MINI)		413-HMA2200-5017	
C191	nsp	CHIP CAPACITOR(0.1uF/50V,Z,0603 TYPE,Y5V)		413-DCM280-773	
C192	nsp	CHIP CAPACITOR(0.01uF/50V,K,0603 TYPE,X7R)		413-DCM280-771	
C193,194	nsp	CHIP CAPACITOR(0.1uF/50V,Z,0603 TYPE,Y5V)		413-DCM280-773	
C196	nsp	CHIP CAPACITOR(0.33uF/16V,Z,0603 TYPE,Y5V)		413-007USB-782	
C197	nsp	CHIP CAPACITOR(0.1uF/50V,Z,0603 TYPE,Y5V)		413-DCM280-773	
C198,C199	nsp	CHIP CAPACITOR(10pF/50V,J,0603 TYPE,NPO)		413-007USB-780	
C301-303	nsp	CHIP CAPACITOR(0.1uF/50V,Z,0603 TYPE,Y5V)		413-DCM280-773	
C305	941134001540S	ELEC. CAPACITOR (47UF/16V M BULK L=7mm)		413-007USB-828	
C306	nsp	CHIP CAPACITOR(0.1uF/50V,Z,0603 TYPE,Y5V)		413-DCM280-773	
C307,308	00D9587056303	ELEC. CAPACITOR (10uF/25V,M,105 °C ,TAPING 4*7,MINI)		413-SPPW3-235	
C309	941134000530S	ELEC. CAPACITOR (470uF/10V,M, 105 °C ,TAPING 8*12)		413-HT8015-169	
C310	00D9587056400	ELEC. CAPACITOR (22uF/16V,M,105 °C ,TAPING 4*7,MINI)		413-SPPW3-236	
C311	00D9587030701	ELEC. CAPACITOR (2.2uF/50V,M,105 °C ,TAPING 4*7,MINI)		413-DV300-5156	
OTHER PARTS GROUP					
CN01,02	nsp	3P SOCKET(CKM3961WR-3P,90° WHITE,PINW NC)		404-BEAT6-1598	
CN03	941644001890S	5P FFC SOCKET		404-9700-2017	
CN06A	00D9587048706	16P FFC CONNECTOR(180°)		404-900-2077	
CN101	00D9410047308	SOCKET(16PIN P=1.0mm SMD FPC 2T-16P)		404-HV3423K-583	
CN102	nsp	6P SOCKET(CKM2001WV-6P 180° WHITE)		404-3113-052A	
CN11	nsp	2P SOCKET(CKM2001WV-2P,180° WHITE)		404-HP1010K-257A	
L01	00D9580016900	BEAD CORE(TB36-863445NP T-26mm)		415-HV3500K-090	
L02-04	90M-FC900450R	BEAD(RH03506BT-B-N,TAPING RT)		415-DCM370E3-134	
L101-104	00D9580016900	BEAD CORE(TB36-863445NP T-26mm)		415-HV3500K-090	
L105	90M-FC900450R	BEAD(RH03506BT-B-N,TAPING RT)		415-DCM370E3-134	
L106	941115001080S	INDUCTOR(10uH,AL0204ST-100K-S-A,TAPING)		415-HMD5000-097	
L107	00D9580016900	BEAD CORE(TB36-863445NP T-26mm)		415-HV3500K-090	
L108	941119001530S	INDUCTOR(100MH J 0707-444-W077)		415-HT8015-040	
L109	90M-FC900450R	BEAD(RH03506BT-B-N,TAPING RT)		415-DCM370E3-134	
L110	90M-FC900450R	BEAD(RH03506BT-B-N,TAPING RT)		415-DCM370E3-134	
L111	90M-FC900450R	BEAD(RH03506BT-B-N,TAPING RT)		415-DCM370E3-134	
L112	00D9580016900	BEAD CORE(TB36-863445NP T-26mm)		415-HV3500K-090	
L113	941115001080S	INDUCTOR(10uH,AL0204ST-100K-S-A,TAPING)		415-HMD5000-097	

	Ref. No.	Part No.	Part Name	Remarks		Q'ty	New
	L114	941119001530S	INDUCTOR(100MH J 0707-444-W077)		415-HT8015-040		
	JK101	00D9587037102	2P RCA JACK(RJ-1060B*09-0520A)		420-100-189		
	JK102	00D9587037306	HEADPHONE JACK(φ 3.5,2K6A/-3537*01-030)		420-HDJ7100-063		
	JK103	00D9587068100	1P RCA JACK(RJ-1081*31-0541A)		420-ST150-157		
⚠	SW001	941661000320S	POWER SW(SDDL1177U-HF3)		403-C304-218		
	T101	00D9580020705	COIL(P-7GB)		415-RCC955A-091		
	W03	941612001880S	7P 2.5 CONNECTOR WIRE(UL2725#26 L=120 +/-)		404-S700-3239		
	W07	941612002040S	4P2.5 CONNECTOR WIRE (L=150mm, AWM2877 AWG26)		404-QFX19-1552		
	X1	00D9580015600	CRYSTAL(16.9344MHz)		427-KC710-019		
	X101	941142001970S	CERAMIC RESONATOR(33.86MHz)		427-MH2-122		
		nsp	IC HEATSINK		300-700-1726		
		nsp	IC HEATSINK FIXED PLATE		300-700-1727		
		nsp	PIN		300-K1000-1521		
		nsp	HEAT SINK(AL)		425-KMD3500-016A		
		nsp	CNR COVER(HU-12-ULY)		504-CDC2050-105		
		nsp	SCREW(3*L8)		602-HP1010K-175		

VFD PCB ASS'Y

	Ref. No.	Part No.	Part Name	Remarks		Q'ty	New
SEMICONDUCTORS GROUP							
	IC205	00MHC10381030	IC(LC75710NE-E,QFP-64/QIP)		417-MCDS4-739		
RESISTORS GROUP							
	R207	nsp	CHIP RRESISTOR(20K OHM,1/10W,0603,J,TP ,50V)		412-DCM280-726		
	R209	nsp	CHIP RESISTOR(10K OHM,1/10W,0603,J,TP ,50V)		412-CDVD2001-534		
	J01	nsp	CHIP RESISTOR(0 OHM,1/8W,1206,J,TP ,150V)		412-DJ3000-414		
CAPACITORS GROUP							
	C219	nsp	CHIP CAPACITOR(30pF/50V,J,0603 TYPE,NPO)		413-007USB-783		
	C220	941134002020S	ELEC. CAPACITOR(10uF/35V,M,TAPING 4*7,MINI)		413-810-919		
	C221	nsp	CHIP CAPACITOR(0.01uF/50V,K,0603 TYPE,X7R)		413-DCM280-771		
	C223	00D9587054907	ELEC. CAPACITOR (100uF/10V,M,105 ,TAPING 5*7,MINI)		413-HMA2200-5017		
OTHER PARTS GROUP							
	CN201B	00D9587049608	9P FFC CONNECTOR(90°)		404-900-2092		
	VFD201	00D3938076006	VFD(86*40*9mm)		410-S700-360		
		nsp	VFD BRACKET		100-700-2674		
		nsp	VFD SHEET		612-700-327		

Control PCB ASS'Y

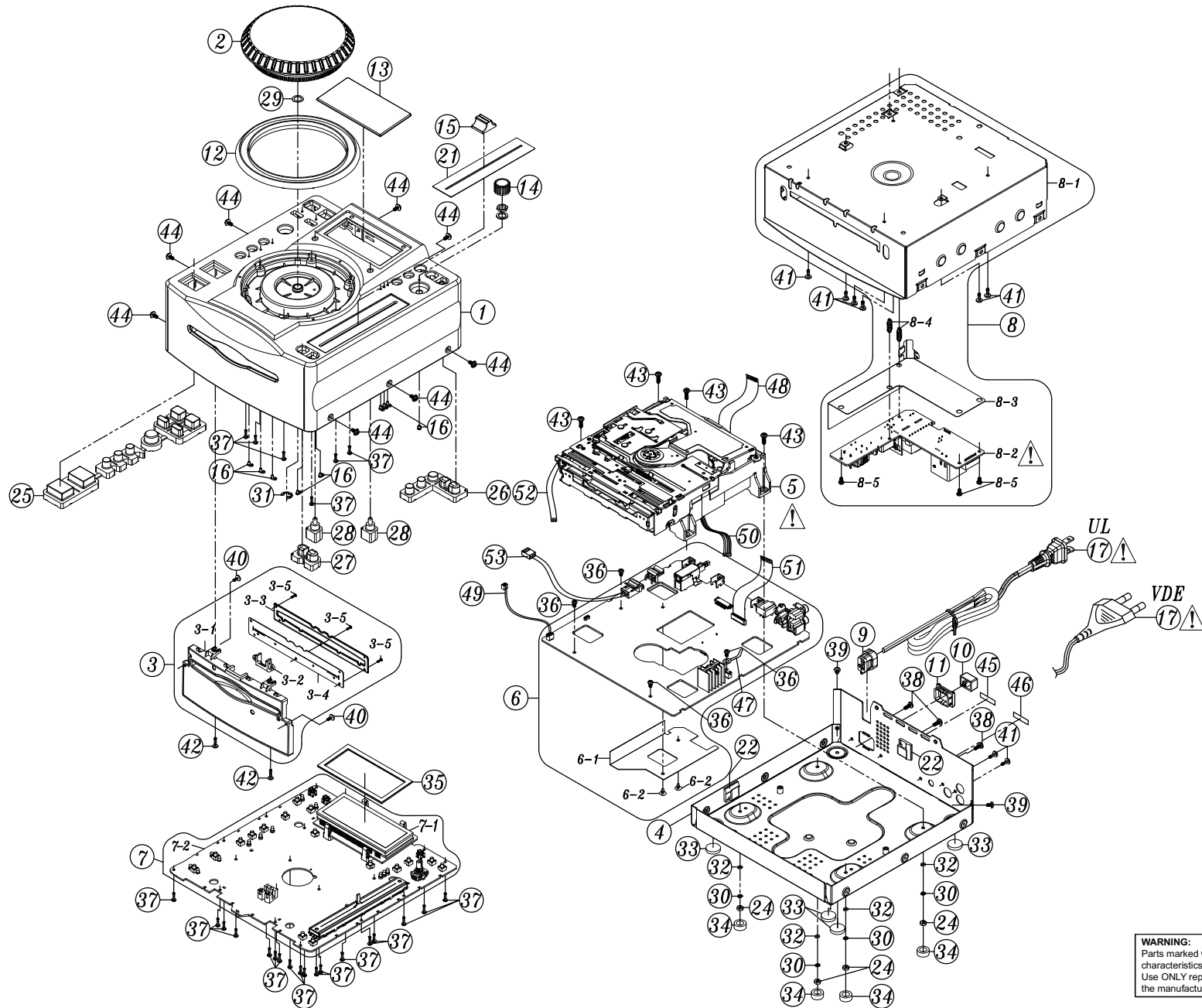
	Ref. No.	Part No.	Part Name	Remarks		Q'ty	New
SEMICONDUCTORS GROUP							
	IC201	941239001660S	CONTROL IC ASS'Y (MC9S08AW32CPUE,LQFP)		704-S700-8520		
	IC202	941239001600S	IC(AT93C46DN-SH-B)		417-HDJ2460-657A		
	IC203,204	00D9587058709	IC(74AHC595DR,SOP-16)		417-HDJ9800-643		
	Q201,202	00D9410046503	TRANSISTOR(DTC124EKAT146/DTC124EKA)		416-CDN88-044		
	D201	941263001070S	LED(LTL1CHKGKNN,GREEN)		410-TT2A3SL-250		
	D201	nsp	LED HOLDER(LED3-1A-B,H=1.5mm,BLACK)		504-HDJ2000-097		
	D201A	nsp	LED HOLDER(LED3-1A-B,H=1.5mm,BLACK)		504-HDJ2000-097		
	D201A	941263001070S	LED(LTL1CHKGKNN,GREEN)		410-TT2A3SL-250		
	D202	941263001060S	LED(LTL1CHJEDNN,RED)		410-DJ5000-253		
	D202	nsp	LED HOLDER(LED3-1A-B,H=1.5mm,BLACK)		504-HDJ2000-097		
	D202A	nsp	LED HOLDER(LED3-1A-B,H=1.5mm,BLACK)		504-HDJ2000-097		
	D202A	941263001060S	LED(LTL1CHJEDNN,RED)		410-DJ5000-253		
	D203-205	00D9587051706	LED (6224-10ID-A,RED)		410-CD6000-122		
	D203-206	nsp	LED HOLDER(LED3-1A-B,H=1.5mm,BLACK)		504-HDJ2000-097		
	D206	00D9580041807	LED (GREEN)		410-CD6000-124		
	D208	00D9587051706	LED (6224-10ID-A,RED)		410-CD6000-122		
	D208	nsp	LED HOLDER(LED3-1A-B,H=1.5mm,BLACK)		504-HDJ2000-097		
	D211	00D9587051706	LED (6224-10ID-A,RED)		410-CD6000-122		
	D211-214	nsp	LED HOLDER(LED3-1A-B,H=1.5mm,BLACK)		504-HDJ2000-097		
	D212-214	00D9587051706	LED (6224-10ID-A,RED)		410-CD6000-122		
	D221-225	00D9580042806	SWITCHING DIODE(1SS133,300mw,55V,T-77)		414-3113-005		
	D231,232	941269001670S	SENSOR(LTH-301-07u)		417-HDJ2000-411		
	D315	941263002010S	CHIP LED(JA-3020B,3*2,BLUE)		410-S700-375		
RESISTORS GROUP							
	R206	nsp	CHIP RESISTOR(10K OHM,1/8W,J,TP 1206,150V)		412-810-967		
	R208	nsp	CHIP RESISTOR(2.2K OHM,1/10W,0603,J,TP ,50V)		412-007USB-693		
	R210	nsp	CHIP RESISTOR(1M OHM,1/10W,0603,J,TP ,50V)		412-CDVD2001-546		
	R211	nsp	CHIP RESISTOR(0 OHM,1/10W, 0603,J,TP,50V)		412-CDVD2001-552		
	R212-214	nsp	CHIP RESISTOR(10K OHM,1/10W,0603,J,TP ,50V)		412-CDVD2001-534		
	R217,218	nsp	CHIP RESISTOR(560 OHM,1/10W,0603,J,TP ,50V)		412-CDVD2001-549		
	R219	nsp	CHIP RESISTOR(15K OHM,1/10W,0603,J,TP ,50V)		412-007USB-687		
	R220	nsp	CHIP RESISTOR(15K OHM,1/10W,0603,J,TP ,50V)		412-007USB-687		
	R221,222	nsp	CHIP RESISTOR(10K OHM,1/10W,0603,J,TP ,50V)		412-CDVD2001-534		
	R250	nsp	CHIP RESISTOR(22 OHM,1/10W,0603,F,TP ,50V)		412-CDVD2001-554		
	R250A	nsp	CHIP RESISTOR(22 OHM,1/10W,0603,F,TP ,50V)		412-CDVD2001-554		
	R251	nsp	CARBON FILM RESISTOR(330 OHM,1/6W,J,T-26)		412-KM300-118		
	R251A	nsp	CARBON FILM RESISTOR(330 OHM,1/6W,J,T-26)		412-KM300-118		
	R252-255	nsp	CARBON FILM RESISTOR(470 OHM,1/6W,J,T-26)		412-3113-056		
	R256	nsp	CARBON FILM RESISTOR(560 OHM,1/6W,J,T-26)		412-KT346-112		
	R257	nsp	CARBON FILM RESISTOR(470 OHM,1/6W,J,T-26)		412-3113-056		
	R258,259	nsp	CHIP RESISTOR(560 OHM,1/10W,0603,J,TP ,50V)		412-CDVD2001-549		
	R260,261	nsp	CHIP RESISTOR(470 OHM,1/10W, 0603,J,TP,50V)		412-CDVD2001-545		
	R262,263	nsp	CHIP RESISTOR(470 OHM,1/10W, 0603,J,TP,50V)		412-CDVD2001-545		
CAPACITORS GROUP							
	C201	00D9587054907	ELEC. CAPACITOR (100uF/10V,M,105 °C ,TAPING 5*7,MINI)		413-HMA2200-5017		
	C202-204	nsp	CHIP CAPACITOR(0.1uF/50V,Z,0603 TYPE,Y5V)		413-DCM280-773		
	C205,206	nsp	CHIP CAPACITOR(22pF/50V,J,0603 TYPE,NPO)		413-CR701-5161		

Ref. No.	Part No.	Part Name	Remarks	Q'ty	New
C207	00D9587054907	ELEC. CAPACITOR (100uF/10V,M,105 °C ,TAPING 5*7,MINI)		413-HMA2200-5017	
C208	nsp	CHIP CAPACITOR(0.1uF/50V,Z,0603 TYPE,Y5V)		413-DCM280-773	
C209,210	nsp	CHIP CAPACITOR(0.01uF/50V,K,0603 TYPE,X7R)		413-DCM280-771	
C211,212	nsp	CHIP CAPACITOR(0.1uF/50V,Z,0603 TYPE,Y5V)		413-DCM280-773	
C213	nsp	CHIP CAPACITOR(0.01uF/50V,K,0603 TYPE,X7R)		413-DCM280-771	
C214	nsp	CHIP CAPACITOR(0.1uF/50V,Z,0603 TYPE,Y5V)		413-DCM280-773	
C215-217	nsp	CHIP CAPACITOR(0.01uF/50V,K,0603 TYPE,X7R)		413-DCM280-771	
C222	nsp	CHIP CAPACITOR(0.1uF/50V,Z,0603 TYPE,Y5V)		413-DCM280-773	
C223	00D9587054907	ELEC. CAPACITOR (100uF/10V,M,105 °C ,TAPING 5*7,MINI)		413-HMA2200-5017	
OTHER PARTS GROUP					
CN06B	00D9587048706	16P FFC CONNECTOR(180°)		404-900-2077	
CN201A	00D9587049608	9P FFC CONNECTOR(90°)		404-900-2092	
L201	941115001080S	INDUCTOR(10uH,AL0204ST-100K-S-A,TAPING)		415-HMD5000-097	
SW201-206	941662001910S	TACT SW(SFKHVBL3725,TAPING,H=7mm)		403-CDJ3300-195	
SW207	941263001990S	SW LED(TSSW-YELLOW,220GF+/-50GF)		403-810-225A	
SW208	941662001910S	TACT SW(SFKHVBL3725,TAPING,H=7mm)		403-CDJ3300-195	
SW209	941263001990S	SW LED(TSSW-YELLOW,220GF+/-50GF)		403-810-225A	
SW210	941662001940S	TACT SW(2P,H=7)		403-S700-363	
SW211,212	941662001910S	TACT SW(SFKHVBL3725,TAPING,H=7mm)		403-CDJ3300-195	
SW213	941263002000S	TSSW-YELLOW/GREEN LED		403-CDJ3300-198A	
SW214	941662001940S	TACT SW(2P,H=7)		403-S700-363	
SW215-218	941662001910S	TACT SW(SFKHVBL3725,TAPING,H=7mm)		403-CDJ3300-195	
SW219	941667001950S	ENCODER		403-S700-354	
SW221	941662001910S	TACT SW(SFKHVBL3725,TAPING,H=7mm)		403-CDJ3300-195	
VR201	941674002030S	VR & VR CUSHION ASS'Y		704-S700-8776	
W01A-W01B	nsp	GROUND WIRE(UL1007#26,L=50 ± 5mm,BLACK)		406-F200-001	
W02A-W02B	nsp	GROUND WIRE(UL1007#26,L=50 ± 5mm,BLACK)		406-F200-001	
X201	00D9580044008	CRYSTAL(5.5296MHz)		427-DM1000-046	
	941606001840S	9P 1.0 FFC CABLE(L=60mm,+/-)		406-M1055-876	
	nsp	SCREW(WPTP,2.6*8,C-1018,É'6.5)		602-4-559	
	nsp	VR CUSHION(0.5t,BLACK)		612-HDJ9700-015	

SW PCB ASS'Y

Ref. No.	Part No.	Part Name	Remarks	Q'ty	New
OTHER PARTS GROUP					
SW1	941662001930S	LEAF SW		403-MK9-259	
SW2,3	941662001920S	LEAF SW		403-MK9-258	
SW4	941662001930S	LEAF SW		403-MK9-259	
CN1	941644001900S	5P 1.0 FFC SOCKET(52271-0579,SMD90°)		404-MK11-3155	

EXPLODED VIEW



PARTS LIST OF EXPLODED VIEW

* Parts for which "nsp" is indicated on this table cannot be supplied.

* P.W.B. ASS'Y for which "nsp" is indicated on this table cannot be supplied. When repairing the P.W.B. ASS'Y, check the board parts table and order replacement parts.

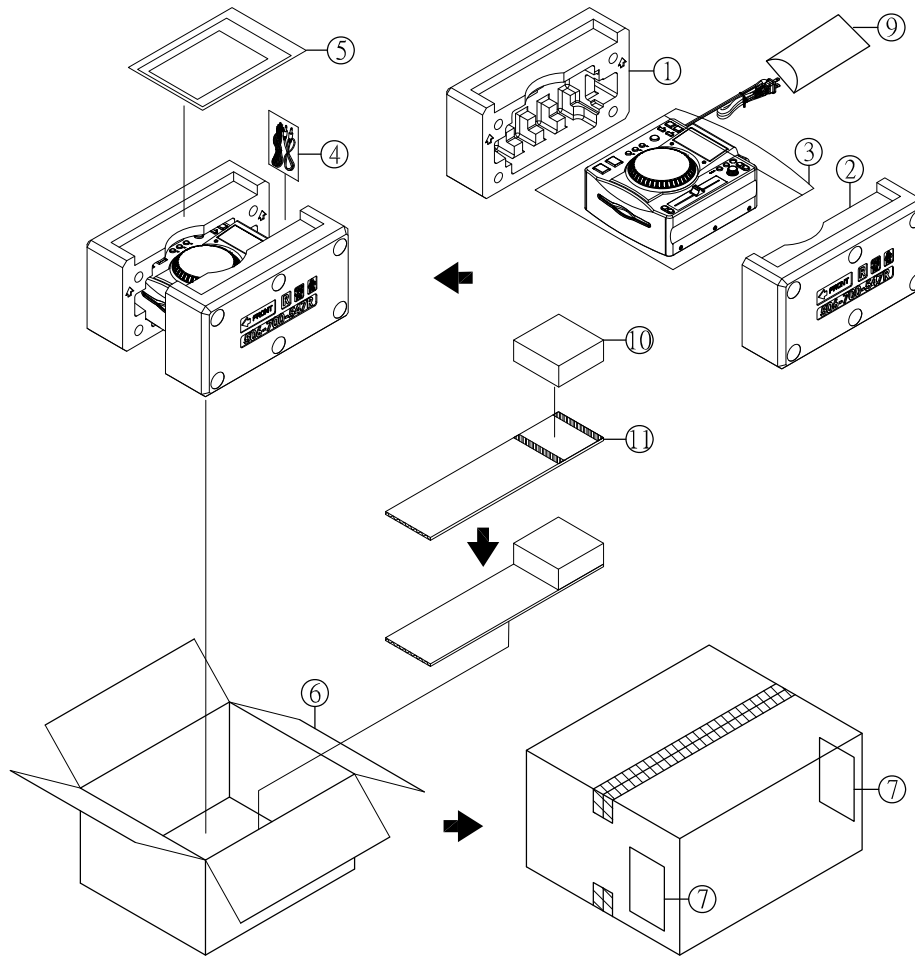
* The parts listed below are for maintenance only, might differ from the parts used in the unit in appearances or dimensions.

Note: The symbols in the column "Remarks" indicate the following destinations.
 E3: U.S.A. & Canada model E2: Europe mode

Ref. No.	Part No.	Part Name	Remarks		Q'ty	New
1	941403001690D	CHASSIS ASS'Y	E2	701-700-4549	1	
1	941403001700D	CHASSIS ASS'Y	E3	701-700E3-4549	1	
2	941419001750D	TURNTABLE ASS'Y		701-700-4550	1	
3	nsp	CD DOOR FRAME ASS'Y		701-700-4639	1	
3-1	nsp	CD DOOR FRAME		100-700-2675	1	
3-2	nsp	CD DOOR LENS		100-700-2676	1	
3-3	nsp	CHAMMY PLATE		300-700-1709	1	
3-4	941432001760D	DUSTPROOF CHAMMY		612-700-329	1	
3-5	nsp	SCREW(BTP,2*5,MC)		602-A700-494	3	
4	nsp	BASE ASS'Y	E2	703-700E2-1244	1	
4	nsp	BASE ASS'Y	E3	703-700E3-1244	1	
5	941302001680D	SLOT-IN FEEDER MECHA ASS'Y		704-MK12-8326	1	
6	nsp	MAIN PCB ASS'Y		704-S700-8515	1	
6-1	nsp	ISOLATION SHEET		501-700-2221	1	
6-2	nsp	CANOE CLIPS(MB-1S,WHITE,H=6.1mm)		504-HF6011-5011	2	
7	nsp	VFD/CONTROL PCB ASS'Y		704-S700-8521	1	
7-1	nsp	VFD PCB ASS'Y		704-S700-8516	1	
7-2	nsp	CONTROL PCB ASS'Y		704-S700-8517	1	
8	nsp	TRANSFORMER & ISOLATION COVER ASS'Y		704-S700-8522	1	
8-1	nsp	ISOLATION COVER ASS'Y		703-700-1245	1	
8-2	941102001510S	SWITCHING POWER		411-S700-757	1	
8-3	nsp	ISOLATION SHEET		501-700-2220	1	
8-4	nsp	SPACER SUPPORT		504-S700-256	2	
8-5	nsp	SCREW(3*5 P=0.5)		602-B300-041	3	
9	nsp	CORD BUSH		100-HC1421FR-991	1	
10	00D9410057301	POWER KNOB		100-HDJ2000-1641	1	
11	nsp	KNOB PROTECTOR		100-HDJ2000-1642	1	
12	941419001460D	TURNTABLE FRAME		100-700-2673	1	
13	941416001470D	WINDOWS		100-700-2677	1	
14	941412001480D	JOG TUNING KNOB		100-700-2678	1	
15	00D1131951014	PUSH BUTTON		100-700-2679	1	
16	941481001490D	LED LENS		100-700-2680	9	
17	00D9587051502	AC POWER CORD(L=2000mm,VDE TYPE)	E2	409-900-140	1	
17	00D9587051405	AC POWER CORD(L=2000mm,UL TYPE)	E3	409-900-139	1	
21	00D1462365007	VR DECORATION		501-700-2222	1	
22	nsp	WIRE MOUNT(FW-2-3M,WHITE)		504-ST100-118	2	
24	nsp	NUT(M3*P0.5)		601-A100-004	4	
25	941411001710D	KNOB		604-700-502	1	
26	941411001720D	KNOB		604-700-503	1	
27	941411001730D	2 KEY KNOB		604-700-504	1	
28	941412001740D	CIRCULAR KNOB		604-700-505	2	
29	nsp	PULLEY WASHER(ϕ 11.6*76*0.25t)		606-F200-003	1	
30	nsp	WASHER(ϕ 5.5*3*0.7t)		606-B300-039	4	
31	nsp	E RING		606-DJ3000-105	1	
32	nsp	WASHER(ϕ 8*3.2*1t,NI)		606-Q2221-122	4	
33	00D9587045107	FOOT(PORON,BLACK, ϕ 15*3t)		612-HV3500K-055	4	
34	nsp	PROTECTIONMAT		612-700-326	4	
35	nsp	CUSHION		612-700-328	1	
36	nsp	SCREW(3*5 P=0.5)		602-B300-041	4	

Ref. No.	Part No.	Part Name	Remarks		Q'ty	New
37	nsp	SCREW(SAE1018,PTP,M2.6*L8)		602-SL24F-099	24	
38	nsp	SCREW(SAE1018,ISOB,φ3*L8*P0.5)		602-HP1010K-178	3	
39	nsp	SCREW(SAE1018,BTB,φ3*L5)		602-QMX2BPM-322	2	
40	nsp	SCREW(SAE1018,WPTP,φ2.6*L6,CAPφ6.5)		602-ST150-434	2	
41	nsp	SCREW(SAE1018,PTB,φ3*L8)		602-DJ5500-452	8	
42	nsp	SCREW(SAE1018,PTB,φ2.6*L10)		602-MK8-604	2	
43	nsp	SCREW(SAE1018,ISOB,φ3*L10*P0.5)		602-ISOB3010-622	4	
44	nsp	SCREW(WSTP,3*6)		602-WSTP3006-672B	8	
45	nsp	SHIPPING LABEL-Serial No.(24*8mm,t=0.1mm)	E2	701-DS700E2-3655	1	
45	nsp	SHIPPING LABEL-Serial No.(24*8mm,t=0.1mm)	E3	701-DS700E3-3655	1	
46	nsp	SHIPPING LABEL-DATE No.(24*8mm,t=0.1mm)	E3	701-DS700E3-3655	1	
47	nsp	WINDING FIXTURE(SPTE t=0.3 WC-1A)		300-HM510B-224	1	
48	941606001830S	FFC WIRE(16PIN L=150mm AWM20696)	MECHA TO CN101	406-HDJ201-405	1	
49	nsp	2P 2.0 CONNECTOR WIRE	MECHA TO CN11	404-S700-3231	1	
50	nsp	6P 2.0 CONNECTOR WIRE	MECHA TO CN102	404-S700-3233	1	
51	941606001850S	FFC CABLE(16P 1.0 L=150+/-)	CN06A TO CN06B	406-S700-1096	1	
52	941606001860S	FFC CABLE(5P 1.0 L=115 ,+/-)	MECHA TO CN03	406-S700-1097	1	
53	nsp	3N2P CONNECTOR WIRE	CN02 TO CN1	404-S700-3234	1	

PACKING VIEW



PARTS LIST OF PACKING & ACCESSORIES

* Parts for which "nsp" is indicated on this table cannot be supplied.

* The parts listed below are for maintenance only, might differ from the parts used in the unit in appearances or dimensions.

Note: The symbols in the column "Remarks" indicate the following destinations.

E3 : U.S.A. & Canada model E2 : Europe mode

Ref. No.	Part No.	Part Name	Remarks	Q'ty	New
1	941533001780D	POLYFOAM L		506-700-547L	1
2	941533001790D	POLYFOAM R		506-700-547R	1
3	941535001810D	SOFT BAG(325*360+30mm)		509-700-263	1
4	00D9587051201	3.5mm STEREO CORD-NI		408-900-065	1
4	941612001870S	2P RCA CORD(L=1500mm)		408-S700-099	1
4	nsp	POLYBAG(120*250mm)		505-HM500A-049	1
5	nsp	I/B ASS'Y	E2	701-DS700E2-4637	1
5	nsp	I/B ASS'Y	E3	701-DS700E3-4638	1
5-1	941541001450P	INSTRUCTION MANUAL ((DNS700E2/E3)		502-DS700E2-2778	1
5-2	nsp	SERVICE SHEET(515-0996-001)		502-300E2-1771A	1
5-3	nsp	WARRANTY CARD(515-0966-206)	E3	502-100E3-1772A	1
5-4	00D9580039505	PE BAG(240*340mm)		505-DJ2500H-014	1
6	941531001770D	GIFT BOX		507-700-3091	1
7	nsp	SHIPPING LABEL(86*137mm,t=0.1mm)	E2	701-DS700E2-3655	2
7	nsp	SHIPPING LABEL(86*137mm,t=0.1mm)	E3	701-DS700E3-3655	2
9	nsp	POLYBAG((PE-HD,150*300mm,t=0.04mm)		505-BJ1900AC-093	1
10	941533001800D	POLYFOAM C		506-700-574	1
11	941537001820D	PASTEBOARD		507-700-3130	1