

PARTS LIST OF P.W.B. UNIT

* 本表に "nsp" と記載されている部品は供給できません。

* Parts for which "nsp" is indicated on this table cannot be supplied.

* 本表に記載されている部品は、補修用部品のため製品に使用している部品とは一部、形状、寸法などが異なる場合があります。

* The parts listed below are for maintenance only, might differ from the parts used in the unit in appearances or dimensions.

Note: The symbols in the column "Remarks" indicate the following destinations.

E3: U.S.A. & Canada model

E2: Europe model

E2C: China model

JP: Japan model

GU-3873 MAIN P.W.B. UNIT ASS'Y

Ref. No.	Part No.	Part Name	Remarks	Q'ty	New
SEMICONDUCTORS GROUP					
IC101	nsp	SN74AHCT08PW-EL2 +C	ES29LV160EB-70TGI-M		
IC102	nsp	W9812G6GH-6			
IC103	nsp	DNS1200 ROM ASSY			
IC104	nsp	R5S72630P200FP			
IC105	nsp	SN74LV86APW +REF	<div style="border: 1px solid black; padding: 5px;"> <p>ご注意: ファームウェアをアップデートするときは、SDIで最終バージョンを確認して下さい。 サービス基板はアップデートして使用下さい。</p> <p>NOTE: When update Firmware, please confirm a last version in SDI. Use the service board after updating it.</p> </div>		
IC106	nsp	SN74LVU04APW-EL2 +REF			
IC107	nsp	SN74AHCT1G04DBV +C			
IC301	nsp	BA4510F-E2 +C			
IC302	nsp	BD7956FS-E2			
IC303	nsp	BU9547KV			*
IC304	nsp	BH15LB1WG			*
IC401	nsp	M51957BFP(TP1)			*
IC402	nsp	BD2041AFJ			*
IC403	nsp	BD9130NV-E2			
IC404	nsp	TS3USB221RSER			*
IC405	nsp	ATTINY2313-20MU			*
IC501	nsp	D708E001BRFP266			*
IC502	nsp	W9812G6GH-6			
TR103,104	nsp	DTA123EKA			
TR106	nsp	DTC114EKT96 +C			
TR107,108	nsp	DTA114EKT96 +C			
TR301	nsp	2SA1586 (GR)			
TR302,303	nsp	DTA144EKT96 +C			
TR401	nsp	DTC114EKT96 +C			
TR402	nsp	DTA124EKT96(TAPE) +C			
TR403	nsp	2SA1036KT146(S/R) +C			
TR404	nsp	DTC114EKT96 +C			
TR405	nsp	DTA114EKT96 +C			
TR406	nsp	DTC114EKT96 +C			
TR407	nsp	DTC114TKT96 +C			
TR408-410	nsp	DTC114EKT96 +C			
TR411,412	nsp	DTA114EKT96 +C			
D101,102	nsp	DAP202KT146 +C			
D103	nsp	DAN202KT146 +C			
D401	nsp	DAP202KT146 +C			
D402	nsp	HZM6.2Z4MWA			
D403	nsp	DAN202KT146 +C			
D404	nsp	HZM6.2Z4MWA			
D405	nsp	DAP202KT146 +C			
D406	nsp	DAN202KT146 +C			
RESISTORS GROUP					
R153	nsp	RM73B--562FT			
R419	nsp	RM73B--752FT			
R423	nsp	RM73B--562FT			
R428	nsp	RM73B--103FT +1608			

	Ref. No.	Part No.	Part Name	Remarks	Q'ty	New
	R429	nsp	RM73B--562FT			
CAPACITORS GROUP						
	C101	nsp	CK73F1E104ZT +1608			
	C102	nsp	CK73B1H103KT (1608) +1608			
	C103	nsp	CK73B1E104KT +1608			
	C104	nsp	CC73CH1H470JT +1608			
	C105	nsp	CK73F1E104ZT +1608			
	C106	nsp	CK73B1E104KT +1608			
	C107	nsp	CK73B1H103KT (1608) +1608			
	C108,109	nsp	CK73B1E104KT +1608			
	C110,111	nsp	CK73B1H103KT (1608) +1608			
	C112	nsp	CK73F1E104ZT +1608			
	C113	nsp	CK73B1A105KT +1608			
	C114-117	nsp	CK73F1C104ZT +1005			
	C118	nsp	CE67C0J220MT(MV-B) +REF			
	C119,120	nsp	CK73F1C104ZT +1005			
	C121,122	nsp	CC73CH1H180JT +1608			
	C123	nsp	CC73CH1H470JT			
	C124	nsp	CK73B1E104KT +1608			
	C125,126	nsp	CC73CH1H470JT			
	C127	nsp	CC73CH1H8R0DT +1608			
	C128	nsp	CE67C0J220MT(MV-B) +REF			
	C129	nsp	CC73CH1H8R0DT +1608			
	C130	nsp	CK73B1E104KT +1608			
	C131	nsp	CC73CH1H470JT			
	C132,133	nsp	CK73F1C104ZT +1005			
	C134	nsp	CK73B1H103KT (1608) +1608			
	C135,136	nsp	CK73F1C104ZT +1005			
	C137	nsp	CE67C0J220MT(MV-B) +REF			
	C138	nsp	CK73F1C104ZT +1005			
	C139	nsp	CK73B1H332KT +1608			
	C140-142	nsp	CK73F1C104ZT +1005			
	C143	nsp	CK73B1H332KT +1608			
	C144,145	nsp	CK73F1C104ZT +1005			
	C146	nsp	CC73CH1H470JT			
	C147,148	nsp	CK73F1C104ZT +1005			
	C149	nsp	CC73CH1H470JT			
	C150,151	nsp	CK73F1C104ZT +1005			
	C152	nsp	CC73CH1H470JT			
	C153-156	nsp	CK73F1C104ZT +1005			
	C157	nsp	GRM32EB31C476KE15L			
	C158-173	nsp	CK73F1C104ZT +1005			
	C174	nsp	CE67C0J220MT(MV-B) +REF			
	C175	nsp	CC73CH1H470JT			
	C176,177	nsp	CE67C1A100MT(PXA)			
	C178-185	nsp	CC73CH1H470JT			
	C186	nsp	CK73F1E104ZT +1608			
	C301,302	nsp	CK73B1A104KT +1005			
	C303	nsp	CE67C1C470MT (RV2) +REF			
	C304	nsp	CK73B1A104KT +1005			
	C305	nsp	CE67C0J470MT (RV2) +REF			
	C306,307	nsp	CK73B1H103KT (1608) +1608			
	C309	nsp	CE67C1C470MT (RV2) +REF			
	C310	nsp	CE67C1A101MT (RV2)			
	C311	nsp	CK73B1E104KT +1608			
	C312	nsp	CE67C1A101MT (RV2)			
	C313	nsp	CE67C1C220MT (RV2) +REF			

Ref. No.	Part No.	Part Name	Remarks	Q'ty	New
C314,315	nsp	CK73B1E104KT +1608			
C316	nsp	CE67C1C100MT (RV2B55 +REF			
C317	nsp	CK73B1A104KT +1005			
C318	nsp	CC73CH1H471JT +1608			
C319	nsp	CK73B1E104KT +1608			
C320	nsp	CE67C1A101MT (RV2)			
C321	nsp	CK73B1A224KT +1608			
C323	nsp	CK73B1A104KT +1005			
C324	nsp	CK73B1E104KT +1608			
C325	nsp	CE67C1A101MT (RV2)			
C326-328	nsp	CK73B1A105KT +1608			
C329	nsp	CK73B1H332KT +1608			
C330	nsp	CK73B1H152KT +1005			
C331	nsp	CK73B1A224KT +1608			
C332	nsp	CK73B1A104KT +1005			
C333	nsp	CK73B1E104KT +1608			
C334	nsp	CE67C1A101MT (RV2)			
C335	nsp	CK73B1A104KT +1005			
C336	nsp	CK73B1E104KT +1608			
C337	nsp	CK73B1A104KT +1005			
C338	nsp	CE67C1A101MT (RV2)			
C339	nsp	CE67C1C220MT (RV2) +REF			
C340	nsp	CK73B1E104KT +1608			
C341	nsp	CK73B1A104KT +1005			
C342	nsp	CC73CH1E681JT +1608			
C343	nsp	CK73B1A104KT +1005			
C344	nsp	CE67C1C100MT (RV2B55 +REF			
C345	nsp	CK73B1E104KT +1608			
C346	nsp	CK73B1E103KT(1005)			
C347,348	nsp	CK73B1A104KT +1005			
C349	nsp	CE67C1C220MT (RV2) +REF			
C350	nsp	CE67C1C100MT (RV2B55 +REF			
C351-353	nsp	CK73B1E104KT +1608			
C354	nsp	CK73B1A105KT +1608			
C355	nsp	CK73B1A104KT +1005			
C356	nsp	CK73F1E104ZT +1608			
C357	nsp	CK73F1H103ZT +1608			
C401,402	nsp	CK73B1E104KT +1608			
C403	nsp	CE67C1C470MT (RV2) +REF			
C404,405	nsp	CK73B1E104KT +1608			
C406	nsp	CE67C0J220MT(MV-B) +REF			
C407-409	nsp	CK73B1H103KT (1608) +1608			
C410,411	nsp	CK73F1E104ZT +1608			
C412	nsp	CK73B1H103KT (1608) +1608			
C413-415	nsp	CK73B1A106KT +2125			
C416	nsp	CK73B1E103KT(1005)			
C417,418	nsp	CK73F1E104ZT +1608			
C419	nsp	CK73B1E104KT +1608			
C420	nsp	CK73F1H103ZT +1608			
C421	nsp	CE67C0J220MT (RV2) +REF			
C422	nsp	CK73F1E104ZT +1608			
C423	nsp	CE67C0J470MT (RV2) +REF			
C424	nsp	CK73B1E104KT +1608			
C425	nsp	CK73F1H103ZT +1608			
C426	nsp	CK73B1E104KT +1608			
C427	nsp	CE67C0J220MT (RV2) +REF			
C428	nsp	CK73B1E104KT +1608			
C429	nsp	CE67C1C470MT (RV2) +REF			
C430	nsp	CK73B1A474KT			

Ref. No.	Part No.	Part Name	Remarks	Q'ty	New
C431	nsp	CK73B1E104KT +1608			
C432	nsp	CK73F1E104ZT +1608			
C433	nsp	CK73B1A106KT +2125			
C501	nsp	CE67C0J220MT(MV-B) +REF			
C502	nsp	CK73F1C104ZT +1005			
C503	nsp	GRM32EB31C476KE15L			
C504	nsp	CK73B1A104KT +1005			
C505	nsp	CK73F1C104ZT +1005			
C506	nsp	CK73B1A104KT +1005			
C507	nsp	CK73F1C104ZT +1005			
C508	nsp	CK73B1A104KT +1005			
C509	nsp	CK73F1C104ZT +1005			
C510	nsp	CK73B1A104KT +1005			
C511	nsp	CK73F1C104ZT +1005			
C512	nsp	CK73B1A104KT +1005			
C513	nsp	CK73F1C104ZT +1005			
C514	nsp	CK73B1A104KT +1005			
C515	nsp	CK73F1C104ZT +1005			
C516	nsp	CK73B1A104KT +1005			
C517	nsp	CK73F1C104ZT +1005			
C518	nsp	CK73B1A104KT +1005			
C519-529	nsp	CK73F1C104ZT +1005			
C530	nsp	CK73B1A104KT +1005			
C531	nsp	CK73F1C104ZT +1005			
C532,533	nsp	CK73B1A104KT +1005			
C534	nsp	CE67C0J220MT(MV-B) +REF			
C535-541	nsp	CK73F1C104ZT +1005			
C542	nsp	CE67C0J220MT(MV-B) +REF			
OTHERS PARTS GROUP					
CX041	00D2051381006	USB CONNECTOR			
CX045	00D2051295008	USB(B)CONNECTOR			
CX061	00D2048554008	6P MD JACK (FG)			
CX071	nsp	7P KR CON BASE(L)			
CX081	00D2051222000	RJ-45 JACK(GND)			
CX111	nsp	11P FFC BASE (9610SD)			
CX141,142	00MYJ07026260	BM14B-SRSS-TB			
CX222	nsp	22P FFC BASE(9610SB)			
CX241	nsp	24P-FFC-BASE(9631SG)			
CX271	nsp	27P FFC.BASE(9610SCA +REF)			
FB101-103	nsp	CHIP BEADS(18PG121) +1608			
FB104,105	nsp	CHIP EMIFIL(11A121) +1608			
FB106-110	nsp	CHIP BEADS(18PG121) +1608			
FB303	nsp	CHIP BEADS(18PG121) +1608			
FB305,306	nsp	CHIP BEADS(18PG121) +1608			
FB401	nsp	E.FIL(BLM21PG221SN1)+2125			
FB402,403	nsp	CHIP BEADS(18PG121) +1608			
FB501-504	nsp	CHIP BEADS(18PG121) +1608			
JK401	00D2048416007	MINI JACK			
L401	nsp	INDUCTOR 2.2UH(7E06N)			
W401	nsp	M3 SCREW TERMINAL			
X101	nsp	X-TAL(16.9344/HC-49)			
X102	nsp	FCX-03(48MHZ)			

GU-3874 POWER P.W.B. UNIT ASS'Y

Ref. No.	Part No.	Part Name	Remarks	Q'ty	New
SEMICONDUCTORS GROUP					
IC801	00D2623047008	PC123Y22			
IC802	00D2623692903	PCM1781			
IC804	00D2630896909	NJM2068MD-TE1 +C			
IC806	00D2621953903	TC7WU04F +C			
IC807	231010013203S	MIP2E3DMY0LT			*
IC809	00D2631206912	TA76432F			
TR801	00D2690082902	DTC114EKT96 +C			
TR802,803	00D2690083901	DTA114EKT96 +C			
TR804,805	00D2730487904	2SC2412K_T146R			
TR806	00D2690082902	DTC114EKT96 +C			
TR807	00D2730487904	2SC2412K_T146R			
TR808,809	00D2730460905	KTC2875-B-RTK/P			
TR810	00D2690082902	DTC114EKT96 +C			
TR811	00D2730487904	2SC2412K_T146R			
TR812	00D2710309905	2SA1037AKT146S			
TR813	00D2730487904	2SC2412K_T146R			
TR814,815	00D2710309905	2SA1037AKT146S			
TR816	00D2720156902	2SB1260-Q +C			
TR817	00D2730487904	2SC2412K_T146R			
TR818	222850005505S	RHK003N06			*
TR819	00D2730487904	2SC2412K_T146R			
D801	00D2760729904	EM01AT (V1)			
D802	00D2760729904	EM01AT (V1)	E2,E2C		
D803	00D2760729904	EM01AT (V1)			
D804	00D2760729904	EM01AT (V1)	E2,E2C		
D805,806	00D2760813001	AP01C			
D807	00D2760727919	AL01ZT (WK)			
D808	204750007504S	FA2J6			*
D809	204750006501S	F1J10C			*
D810,811	00D2760727919	AL01ZT (WK)			
D812	00D2760730919	AG01ZT (WK)			
D813	00D2760813001	AP01C			
D814-816	00D2760717903	1SS355 TE-17 +C			
D817	204750006501S	F1J10C			*
ZD801,802	00D2760683914	UDZS9.1B-TE17 +C			
ZD803	00D2760683930	UDZS5.1B-TE17 +C			
ZD901	00D2760683901	UDZS5.6B-TE17 +C			
ZD902	00D2760762945	MTZJ36B T77			
ZD903	00D2760760976	MTZJ6.8B T77			
RESISTORS GROUP					
R804	00D2472020962	RM73B--153FT +1608			
R806	00D2472035915	RM73B--152DT(1608)			
R864	00D2442684901	RS14B3D473JNBST(S)			
R869	00D2472020933	RM73B--103FT +1608			
R874	00D2442682945	RS14B3D2R2JNBST(S)			

	Ref. No.	Part No.	Part Name	Remarks	Q'ty	New
CAPACITORS GROUP						
	C801	00D2538029713	CK45F2EAC471KC(KX)			
	C802	00D2544505001	CE04W2E101M(KMG)	JP,E3		
	C802	00D2544589700	CE04W2G470MC (KMG)	E2,E2C		
	C803	nsp	CK73F1E104ZT +1608			
	C805	00D2544505001	CE04W2E101M(KMG)	JP,E3		
	C807	00D2544699904	CE04W1E101MT(R2A)			
	C808	nsp	CK73F1H103ZT +1608			
	C810	00D2544541939	CE04W1E470MT SMG/RE3			
	C811	nsp	CK73F1E104ZT +1608			
	C812	nsp	CK73B1H102KT +1608			
	C813	nsp	CK73B1H103KT (1608) +1608			
	C814	nsp	CK73F1E104ZT +1608			
	C815,816	00MOA47601620	47 UF M 16V RA-2			
	C817	nsp	CK73F1E104ZT +1608			
	C818	132550013507S	==73BR2J103K=XT			*
	C819	nsp	CK73B1A105KT +1608			
	C820	00D2538029700	CK45F2EAC222MC (KX)			
	C821,822	nsp	CK73B1H102KT +1608			
	C823,824	nsp	CC73CH1H151JT +1608			
	C825	00MOA47702520	470UF 25V M RA-2			
	C826	nsp	CK73F1E104ZT +1608			
	C827	nsp	CK73B1E104KT +1608			
	C828	00MOA47702520	470UF 25V M RA-2			
	C829,830	nsp	CK73F1E104ZT +1608			
	C831,832	00MOA47601620	47 UF M 16V RA-2			
	C833	nsp	CK73F1H103ZT +1608			
	C834	nsp	CK73F1E104ZT +1608			
	C835	nsp	CK73F1H103ZT +1608			
	C836,837	nsp	CK73B1H682KT +1608			
	C838	nsp	CK73F1H473ZT +1608			
	C839,840	nsp	CC73CH1H121JT +1608			
	C841	00D2544770713	CE04W0J152MC(KY)			*
	C842	00D2544651926	CE04W0J681MT HB5(KY)			*
	C843	00D2544536928	CE04W1A101MT SMG/RE3			
	C844	00D2544652705	CE04W1A222MC J30(KY)			
	C845	00D2544711918	CE04W1A221MT F11(KY)			
	C846,847	00D2544710906	CE04W1C331MT HB5(KY)			
	C851-854	nsp	CK73F1E104ZT +1608			
	C855	nsp	CK73F1H103ZT +1608			
	C856	00D2544541955	CE04W1E221MT SMG/RE3			
	C857	00D2544536915	CE04W1A470MT SMG/RE3			
	C858	nsp	CK73F1E104ZT +1608			
	C859	nsp	CK73F1H103ZT +1608			
	C860	nsp	CK73B1E104KT +1608			
	C861	nsp	CK73F1E104ZT +1608			
	C862	nsp	CK73F1H103ZT +1608			
	C863	nsp	CK73F1E104ZT +1608			
	C864	nsp	CK73F1H103ZT +1608			
	C903	00D2538022707	CK45F2EAC103MC			
	C906	00D2568038004	CF99--2EAC104M			
	C907,908	00D2538029713	CK45F2EAC471KC(KX)			
	C909	00D2544710919	CE04W1C121MT F11(KY)			*
	C910	nsp	CK73B1E104KT +1608			
	C911	00D2544759909	CE04W1H100MT E11(KY)			
	C912,913	00D2570037909	CK73B1E105KT +2125			

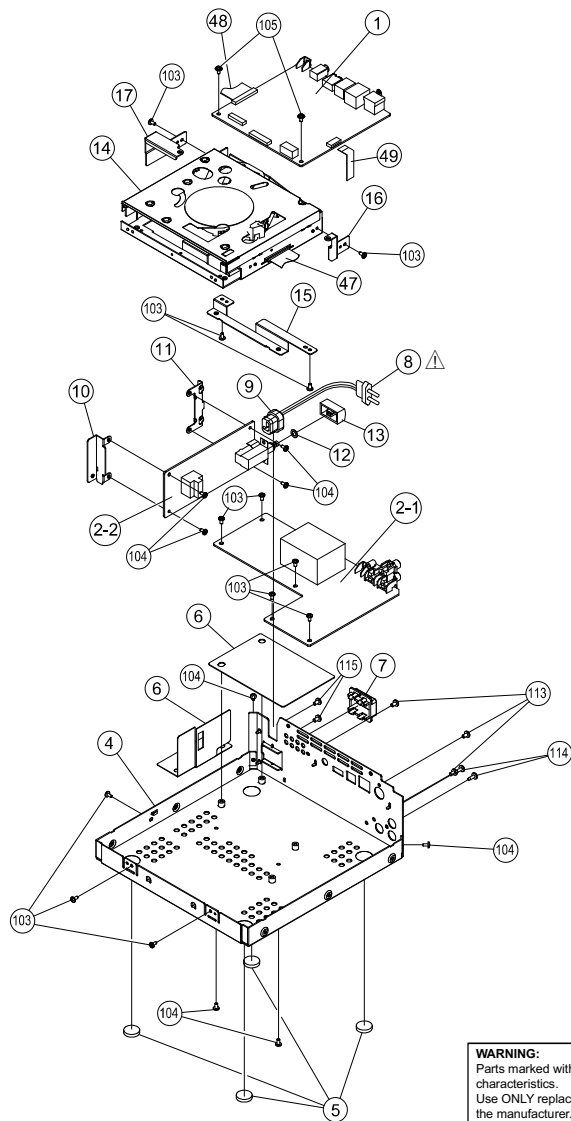
	Ref. No.	Part No.	Part Name	Remarks	Q'ty	New
	C914,915	00MOA47702520	470UF 25V M RA-2			
	C916	00D2544710906	CE04W1C331MT HB5(KY)			
	C917	00D2544538942	CE04W1C101MT SMG/RE3			
	C918	00D2544755903	CE04W1H560MT(KY)			
	C919	00D2544759909	CE04W1H100MT E11(KY)			
	C920	nsp	CK73B1H105KT			
	C922	00D2544524985	CE04W1H100MT SMG/RE3			
OTHERS PARTS GROUP						
	AS801	nsp	PUH16-30			*
	AS901	nsp	CONDENSER COVER	E2,E2C		
	CX021	nsp	2P VH CON BASE (White)			
	CX022	nsp	2P VH CONNECTOR BASE			
	CX044	nsp	4P CONN.BASE(KR-PH)			
	CY022	nsp	2P VH CONN BASE(L)			
	CY071	nsp	7P KR-DA 130MM			*
	CY111	00D2051260017	11P FFC BASE(9610SA)			
	△ F901	00D2061035054	FUSE 1.6A (T)	JP		
	△ F901	00D2061087015	FUSE (ET1A)	E3,E2		
	△ F901	0520100110080	# 0218001.MXP T1A L 250V	E2C		
	FF901	nsp	FUSE CLIP(TAPE)			
	FH901	nsp	FUSE CLIP(TAPE)			
	JK801	00D2048559003	2P PIN JACK(S-GND)			
	JK802	00D2048593001	1P PIN JACK(OR,NI)			
	L801	115010005508S	ELC0607RA-220K1R2-PF			*
	L901	00D2350157009	PLA10AN7720R7D2B			
	L902	00D2350159007	PLH10AN3711ROP2B			
	L903	115010005508S	ELC0607RA-220K1R2-PF			*
	L904	115010006501S	ELC0607RA-330KR92-PF			*
	L905	111810003502S	NLCV32T-220J-PF			*
	△ S901	00D2121030009	POWER SWITCH (TV-5)			
	△ T801	102010003001P	ST-3790C3			*
	W901	nsp	M3 SCREW TERMINAL			
		ORD4713303016	3X6 CBS-Z			
		8W5441006500P	FUSE LABEL SUB ASSY (1.6A) 5X23mm	F901, for JP		

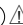
GU-3884 PANEL P.W.B. UNIT ASS'Y


	Ref. No.	Part No.	Part Name	Remarks	Q'ty	New
SEMICONDUCTORS GROUP						
	IC701	00D2622953915	SN74HCT138APW			
	IC702	00D2623694901	SN74LV165APW			
	IC703	00D2690226001	GP1A038RBK			
	IC704	00D2623690905	TB62725BFNG			
	IC705	00D2622557900	SN74LV14APW-EL2 +REF			
	IC706	00D2623691904	B6TS-04LT			
	TR701-709	00D2710260905	2SA1036KT146(S/R) +C			
	TR710	00D2690246900	DTC123EKA			
	TR711	00D2710260905	2SA1036KT146(S/R) +C			
	TR712	00D2690246900	DTC123EKA			
	TR713	00D2710260905	2SA1036KT146(S/R) +C			
	TR714	00D2690246900	DTC123EKA			
	TR715	00D2690082902	DTC114EKT96 +C			
	D701-704	00D2760560901	DAN202KT146 +C			
	D706-709	00D2760560901	DAN202KT146 +C			
	D711-714	00D2760560901	DAN202KT146 +C			
	D716-720	00D2760560901	DAN202KT146 +C			
	LD701	00D3939543923	SLR-325DC (ORG) TAPE			
	LD702	00D3939604901	SEL6227S(TP5)			
	LD704	00D3939606909	SEL6927A(TP5)			
	LD705,706	00D3939605900	SEL6427EP(TP5)			
	LD707	00D3939604901	SEL6227S(TP5)			
	LD708	00D3939543910	SLR-325MC (GRN) TAPE			
	LD709,710	00D3939606909	SEL6927A(TP5)			
	LD711	00D3939605900	SEL6427EP(TP5)			
	LD712	00D3939543910	SLR-325MC (GRN) TAPE			
	LD714	00D3939543910	SLR-325MC (GRN) TAPE			
	LD715	00D3939606909	SEL6927A(TP5)			
	LD717	00D3939606909	SEL6927A(TP5)			
	LD719	00D3939605900	SEL6427EP(TP5)			
	LD721	00D3939543923	SLR-325DC (ORG) TAPE			
	LD727	00D3939543907	SLR-325VC (RED) TAPE			
	LD732	00D3939543923	SLR-325DC (ORG) TAPE			
	LD735	00D3939543910	SLR-325MC (GRN) TAPE			
	LD736	00D3939606909	SEL6927A(TP5)			
	LD737	00D3939633008	SELU1250CM(RED)			
	FL701	00D3938096002	17-BT-30GINK(VFD)			
RESISTORS GROUP						
	VR702	00D2115648119	SLIDE VOLUME (100MM)			
CAPACITORS GROUP						
	C701-703	nsp	CK73F1E104ZT +1608			
	C704	00D2544302974	CE04W1A101MT(SRE)			
	C705	nsp	CK73F1H103ZT +1608			
	C706,707	nsp	CK73F1E104ZT +1608			
	C708	nsp	CK73F1H103ZT +1608			
	C709	nsp	CK73F1E104ZT +1608			

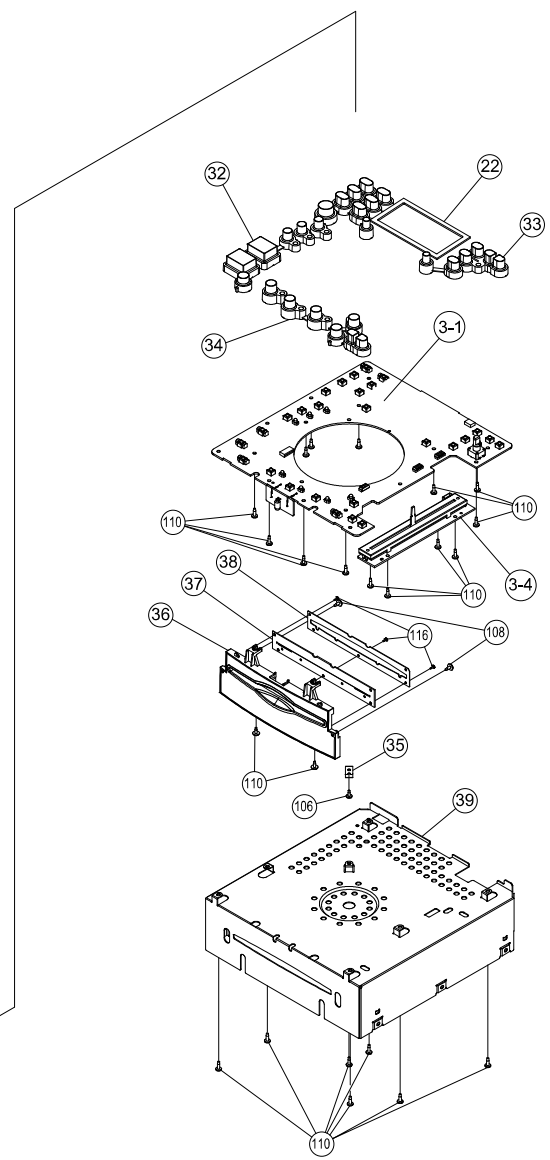
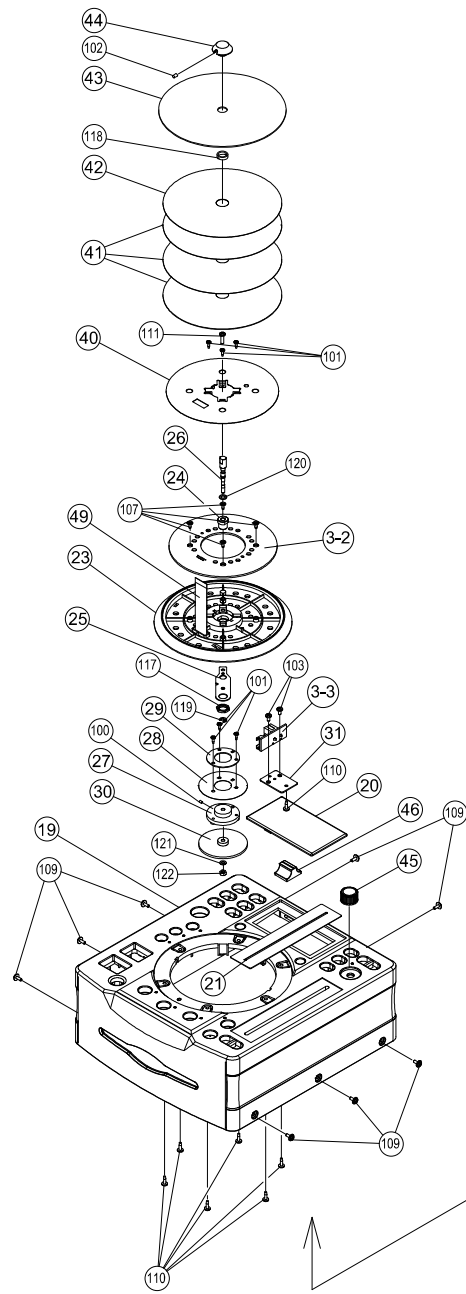
	Ref. No.	Part No.	Part Name	Remarks	Q'ty	New
	C710	00D2544302974	CE04W1A101MT(SRE)			
	C711,712	nsp	CK73F1H103ZT +1608			
	C713	nsp	CK73F1E104ZT +1608			
	C715	nsp	CK73F1E104ZT +1608			
	C716	00D2544300918	CE04W0J100MT(SRE)			
	C717-720	nsp	CK73F1E104ZT +1608			
	C722,723	nsp	CK73F1H103ZT +1608			
	C724-727	nsp	CK73F1E104ZT +1608			
	C728,729	nsp	CC73CH1H390JT +1608			
	C730-733	nsp	CK73B1E104KT +1608			
	C734	nsp	CK73F1E104ZT +1608			
	C735,736	nsp	CC73CH1H390JT +1608			
	C740	nsp	CK73B1H222KT +1608			
	C741	nsp	CK73B1H332KT +1608			
	C744,745	nsp	CK73F1E104ZT +1608			
	C748	nsp	CK73F1E104ZT +1608			
	C749,750	nsp	CK73F1H103ZT +1608			
	C751	nsp	CK73F1E104ZT +1608			
	C752	nsp	CK73F1H103ZT +1608			
OTHERS PARTS GROUP						
	AS701,702	456010005001P	ADHESIVE TAPE 4X11			
	AS703,704	471010002001P	BUFFER 6X14 T3			
	CW042	nsp	4P SAN-SAN 80MM			*
	CW043	nsp	4P KR-DS CON CORD			
	CW044	nsp	4P KR-DS CON.CORD			
	CX112	00D2051377007	11P FFC BASE(9610SB)			
	CY043	nsp	4P KR CON BASE(L)			
	CY112	00D2051260017	11P FFC BASE(9610SA)			
	CY271	00D2051329000	27P FFC BASE(9610SB)			
	FB701	00D2350158901	CHIP BEADS(18PG121) +1608			
	S701-704	00D2125604907	TACT SWITCH-TA(ALPS)			
	S705	00D2120410002	ROTARY ENCODER-JOG			
	S706-710	00D2125604907	TACT SWITCH-TA(ALPS)			
	S712-715	00D2125604907	TACT SWITCH-TA(ALPS)			
	S717-719	00D2125604907	TACT SWITCH-TA(ALPS)			
	S721-725	00D2125604907	TACT SWITCH-TA(ALPS)			
	S727	00D2125604907	TACT SWITCH-TA(ALPS)			
	S729	00D2125604907	TACT SWITCH-TA(ALPS)			
	S731-734	00D2125604907	TACT SWITCH-TA(ALPS)			

EXPLODED VIEW



WARNING:
Parts marked with this symbol  have critical characteristics. Use ONLY replacement parts recommended by the manufacturer.

印の部分は安全を維持するために重要な部品です。従って交換時は必ず指定の部品を使用してください。



PARTS LIST OF EXPLODED VIEW

* 本表に "nsp" と記載されている部品は供給できません。

* Parts for which "nsp" is indicated on this table cannot be supplied.

* 本表に "nsp" と記載されている基板 ASS'Y は供給できません。基板 ASS'Y の修理の際には基板部品表を確認のうえ、交換部品を発注してください。

* P.W.B. ASS'Y for which "nsp" is indicated on this table cannot be supplied. When repairing the P.W.B. ASS'Y, check the board parts table and order replacement parts.

* 本表に記載されている部品は、補修用部品のため製品に使用している部品とは一部、形状、寸法などが異なる場合があります。

* The parts listed below are for maintenance only, might differ from the parts used in the unit in appearances or dimensions.

Note: The symbols in the column "Remarks" indicate the following destinations.

E3: U.S.A. & Canada model

E2: Europe model

E2C: China model

JP: Japan model

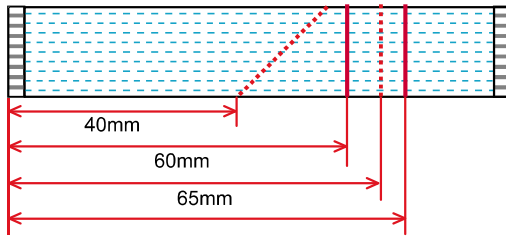
Ref. No.	Part No.	Part Name	Remarks	Q'ty	New	
1	00DGU-3873	MAIN PWB UNIT		1	*	
2	nsp	POWER UNIT PWB ASSY	JP	1	*	
2	nsp	POWER UNIT PWB ASSY	E2	1	*	
2	nsp	POWER UNIT PWB ASSY	E3	1	*	
2	nsp	POWER UNIT PWB ASSY	E2C	1	*	
2-1	nsp	POWER UNIT PWB		1		
2-2		AC INPUT UNIT PWB		1		
3		PANEL UNIT PWB		1		
3-1		PANEL UNIT PWB		1		
3-2		FOR TOP RING UPPER		1		
3-3		SENSOR UNIT PWB		1		
3-4		FOR TOP CASE ASSY		1		
4	nsp	BOTTOM CHASSIS		1	*	
5	00D4611342001	LEG		4	*	
6	nsp	INSULATOR		1	*	
7	00D1462433007	P.SW KNOB GUIDE		1		
△	8	00D2062085003	AC CORD W/CON.DOM	JP	1	
△	8	00D2062089106	AC CORD W/CON.E2	E2	1	
△	8	611050013005P	# AC CORD W/CON.E3	E3	1	
△	8	00MYC01800880	!CCEE APP.(AC250V 10A)+ VAR2P	E2C	1	
9	00D4450056008	CORD BUSH	JP,E2,E2C	1		
9	00D4450084009	CORD BUSH	E3	1		
10	nsp	BRACKET(AC IN.FRONT)		1	*	
11	nsp	BRACKET(AC IN.REAR)		1	*	
12	00D4412030004	SPACER		1		
13	00D1131689001	P.SW KNOB		1		
14	00D3370147001	CD MECHA. UNIT		1	*	
15	nsp	BRACKET(CD MECHA)		1	*	
16	nsp	BRACKET(M.PWB RIGHT)		1	*	
17	nsp	BRACKET(M.PWB LEFT)		1	*	
★	18	471010001008P	BUFFER 6X6 T5		2	*
19	00D4112128300	TOP CASE ASSY		1	*	
20	00D1431321001	WINDOW		1	*	
21	00D1462365007	FADER PLATE		1		
22	00D4611343000	EL BUFFER		1	*	
23	00D1431319000	TOP RING		1	*	
24	00D4431634009	BUSH		1	*	
25	00D4412038006	SPACER GND		1	*	
26	00D4220688101	SHAFT		1	*	
27	00D4210838013	WHEEL ASSY (2)		1		
28	00D4210836002	SCALE DISC		1		
29	00D4412025006	WHEEL BRACKET		1		
30	00D4210866001	WEIGHT		1	*	
31	00D4412040007	BRACKET(SENSOR)		1	*	
32	00D1132135101	RUBBER KEY 1		1	*	
33	00D1132136100	RUBBER KEY 2		1	*	
34	00D1132137002	RUBBER KEY 3		1	*	
35	00D4412039005	STAY GND		1	*	
36	00D1462535109	FRONT SUB PANEL		1	*	

Ref. No.	Part No.	Part Name	Remarks	Q'ty	New	
	37	00D4690058002	CD MASK	1	*	
	38	nsp	BRACKET(CD MASK)	1	*	
	39	nsp	CHASSIS COVER	1	*	
	40	00D4431635008	DISC CONTACTOR	1	*	
	41	00D4210870000	SLIPMAT C	3	*	
	42	409510001008P	SLIPMAT TOP	1	*	
	43	00D4210867000	SCRATCH DISC	1	*	
	44	00D1020705009	ADAPTOR	1	*	
	45	00D1120891004	KNOB (MARU)	1		
	46	00D1131951014	FADER KNOB	1		
	47	606050028005P	22P FFC(1.0) L=105	1	*	
	48	606050029008P	27P FFC(1.0) L=252	1	*	
	49	606050030008P	11P FFC(1.0) L=80	2	*	
	★ 50	00D2032437005	2P VA-VA CON. CORD	1	*	
	★ 61	nsp	CAUTION LABEL	1	*	
	★ 62	nsp	INST LABEL	E2,E2C	1	
	★ 63	nsp	FCC/CLASS B CAUTION	E3	1	
	★ 64	nsp	C-UL MARK US	E3	1	
	★ 65	nsp	LABEL CDRH	E3	1	
	★ 66	nsp	MANUFAC.(J)SUB ASS'Y	JP	1	
	★ 66	nsp	MANUFAC.DATE SUB ASS	E3	1	
	★ 66	nsp	DATE LABEL	E2C	1	
	★ 67	nsp	CCC LABEL	E2C	1	
	★ 68	nsp	CROHS LABEL	E2C	1	
	★ 69	nsp	R. SHEET J SUB ASSY	JP	1	*
	★ 69	nsp	R.SHEET E2 SUB ASSY	E2	1	*
	★ 69	nsp	R.SHEET E3 SUB ASSY	E3	1	*
	★ 69	nsp	R.SHEET E2C SUB ASSY	E2C	1	*
	★ 70	nsp	INSULATOR		1	*
	★ 71	nsp	CHUKOH TAPE	70mm	1	
SCREWS AND WASHERS						
	100	ORD4744310007	2X2.5 BSS	1		
	101	ORD4737506019	2X6 CBTS (P)-Z	6		
	102	ORD4744300017	2.6X3 BSS	1		
	103	ORD4713202010	2.6X5 CBS	15		
	104	ORD4737001006	2.6X5 CBTS (S)-Z	7		
	105	ORD4719064003	2.6X5 CUP SCREW-Z	2		
	106	ORD4737505010	2.6X6 CBTS (P)-Z	1		
	107	ORD4737520008	2.6X6 CFTS(P)-B	4		
	108	ORD4737532009	2.6X6 CBTS(P)-W-Z	2		
	109	ORD4737038008	2.6X6 CBTS(S)-W-B	8		
	110	ORD4737505007	2.6X8 CBTS (P)-Z	31		
	111	ORD4713205017	2.6X10 CBS	1		
	★ 112	nsp	3X6 CBS-Z	1		
	113	nsp	3X6 CBS-B	3		
	114	ORD4737500044	3X8 CBTS (P)-B	2		
	115	00M51042605U0	SCREW	2		
	116	00M51971704U0	SCREW	3		
	117	ORD4770330103	8 N-Z	1		
	118	00D4756163006	9 SP NUT	1		
	119	ORD4761003009	3 E RING	1		
	120	ORD4751161016	WASHER	1		
	121	ORD4751130005	3 WASHER	1		
	122	00M53110301A9	M3 NUT	1		
	★ 123	00M54040302A0	SCREW	1		

Folding the FFC

FFCの折り方

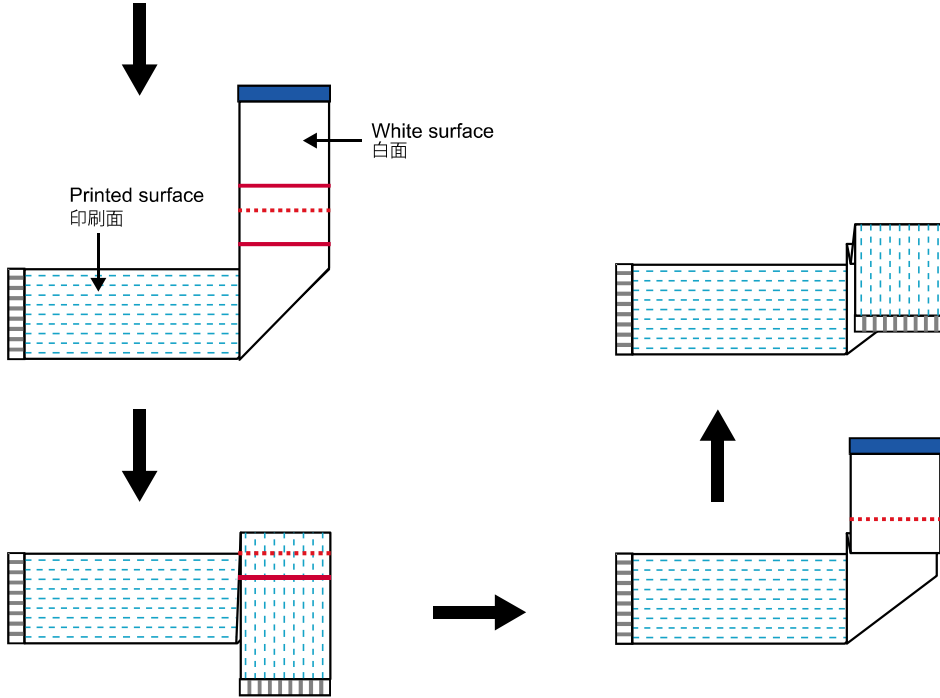
(1) 606050030008P 11P FFC(1.0) L=88



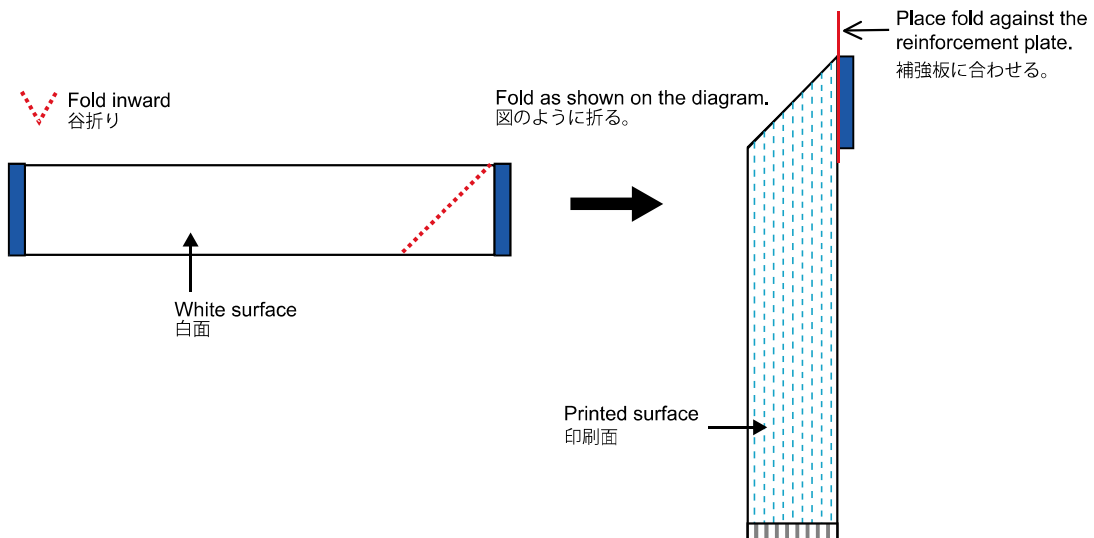
Fold outward
山折り

Fold inward
谷折り

Fold as shown on the diagram.
図のように折る。

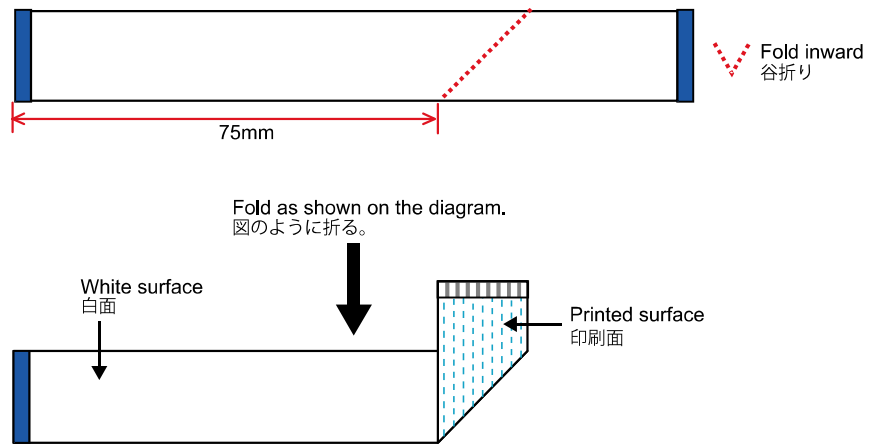


(2) 606050030008P 11P FFC(1.0) L=88

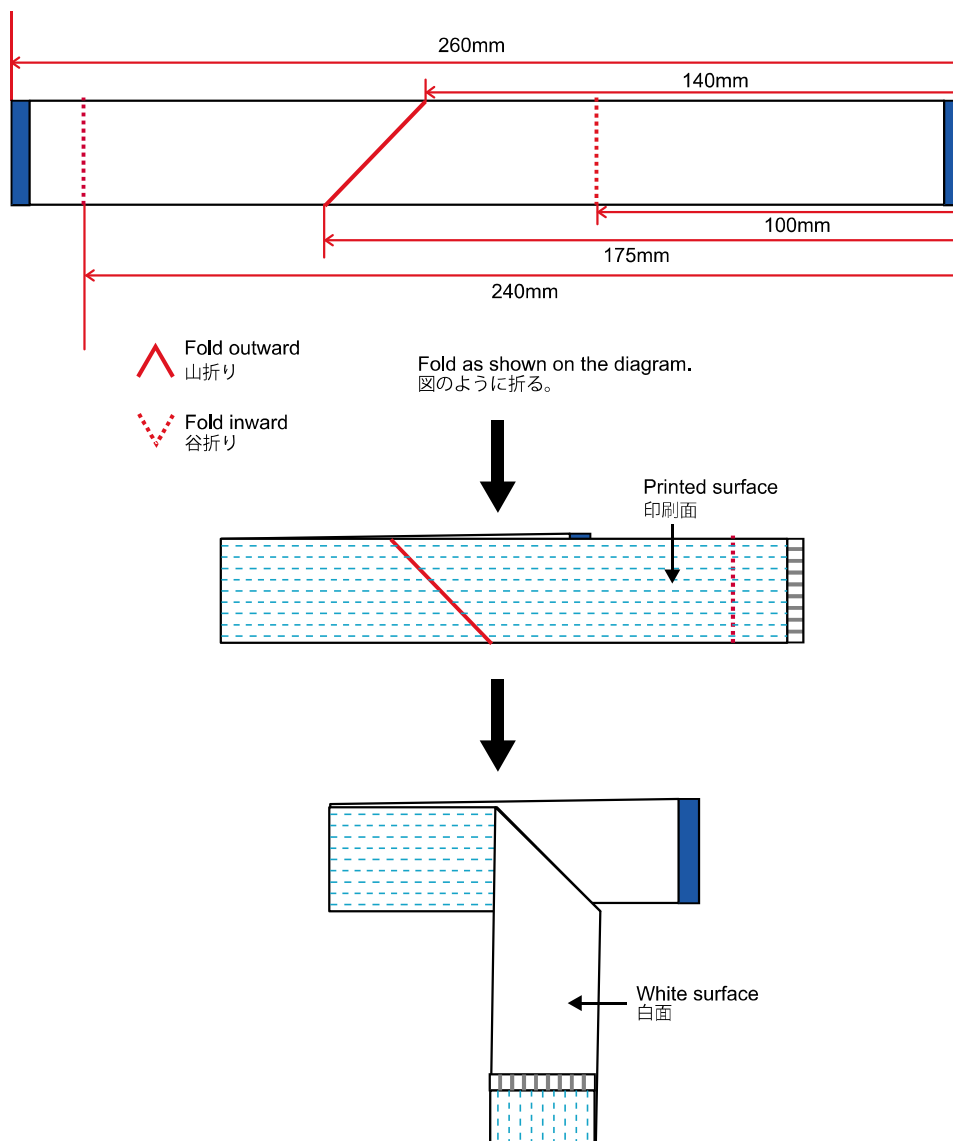


Fold as shown on the diagram.
図のように折る。

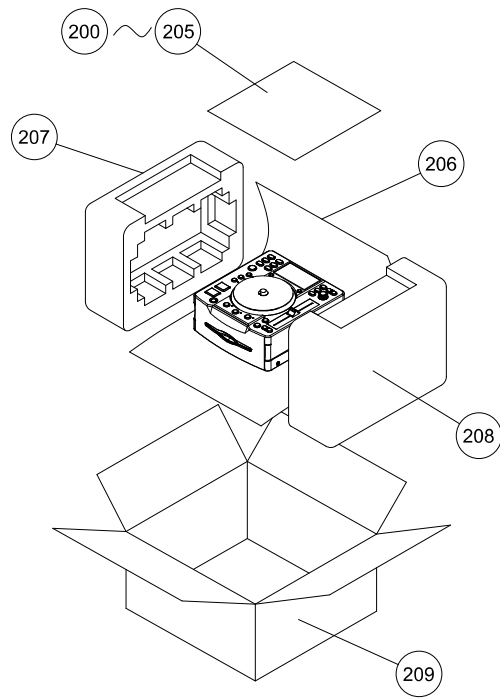
(3) 606050028005P 22P FFC(1.0) L=113



(4) 606050029008P 27P FFC(1.0) L=252



PACKING VIEW



PARTS LIST OF PACKING & ACCESSORIES

* 本表に "nsp" と記載されている部品は供給できません。

* Parts for which "nsp" is indicated on this table cannot be supplied.

* 本表に記載されている部品は、補修用部品のため製品に使用している部品とは一部、形状、寸法などが異なる場合があります。

* The parts listed below are for maintenance only, might differ from the parts used in the unit in appearances or dimensions.

Note: The symbols in the column "Remarks" indicate the following destinations.

E3 : U.S.A. & Canada model

E2 : Europe model

E2C : China model

JP : Japan model

Ref. No.	Part No.	Part Name	Remarks	Q'ty	New
200	00D5050038030	POLY COVER		1	
201	00D5114760008	INST. MANUAL		1	*
201	00D5114761007	INST.MANUAL(CD-ROM)		1	*
202	00D2032442003	2P PIN CORD		1	
203	00D5150923401	S.S.LIST COM.(EX)	E2/E3/E2C	1	
203	00D5150918607	SERVICE STATION LIST	JP	1	
204	00D5150966109	WARRANTY(COM.1Y)	E3	1	
204	nsp	WARRANTY SUB ASSY	JP	1	
205	00DGEN8547	C-ROHS SHEET		1	
206	534510001003P	STYLEN PAPER		1	*
207	00D5031565001	CUSHION 1		1	*
208	00D5031566000	CUSHION 2		1	*
209	00D5012391100	CARTON CASE		1	*
★ 210	nsp	CONT.CARD(L)SUB ASSY	E2/E3/E2C	1	
★ 211	nsp	BAR CODE LABEL ASSY	E3,E2	1	
★ 211	998545000040D	POS LABEL	JP	1	
★ 212	8W5441006400P	RECYCLING LABEL	JP	1	*
★ 213	nsp	NO. SHEET	JP	1	
★ 214	nsp	CARTON LABEL(C)	E2C	1	
★ 215	nsp	CARD	E2C	1	
★ 216	nsp	RECYCLE MARK CARTON	E2C	1	